



# T&S BRASS AND BRONZE WORKS, INC.

2 Saddleback Cove / P.O. Box 1088  
Travelers Rest, SC 29690

Model No.

**B-0287**

Item No.

Travelers Rest, SC: 800-476-4103 • Simi Valley, CA: 800-423-0150 • Fax: 864-834-3518 • www.tsbrass.com

This Space for Architect/Engineer Approval

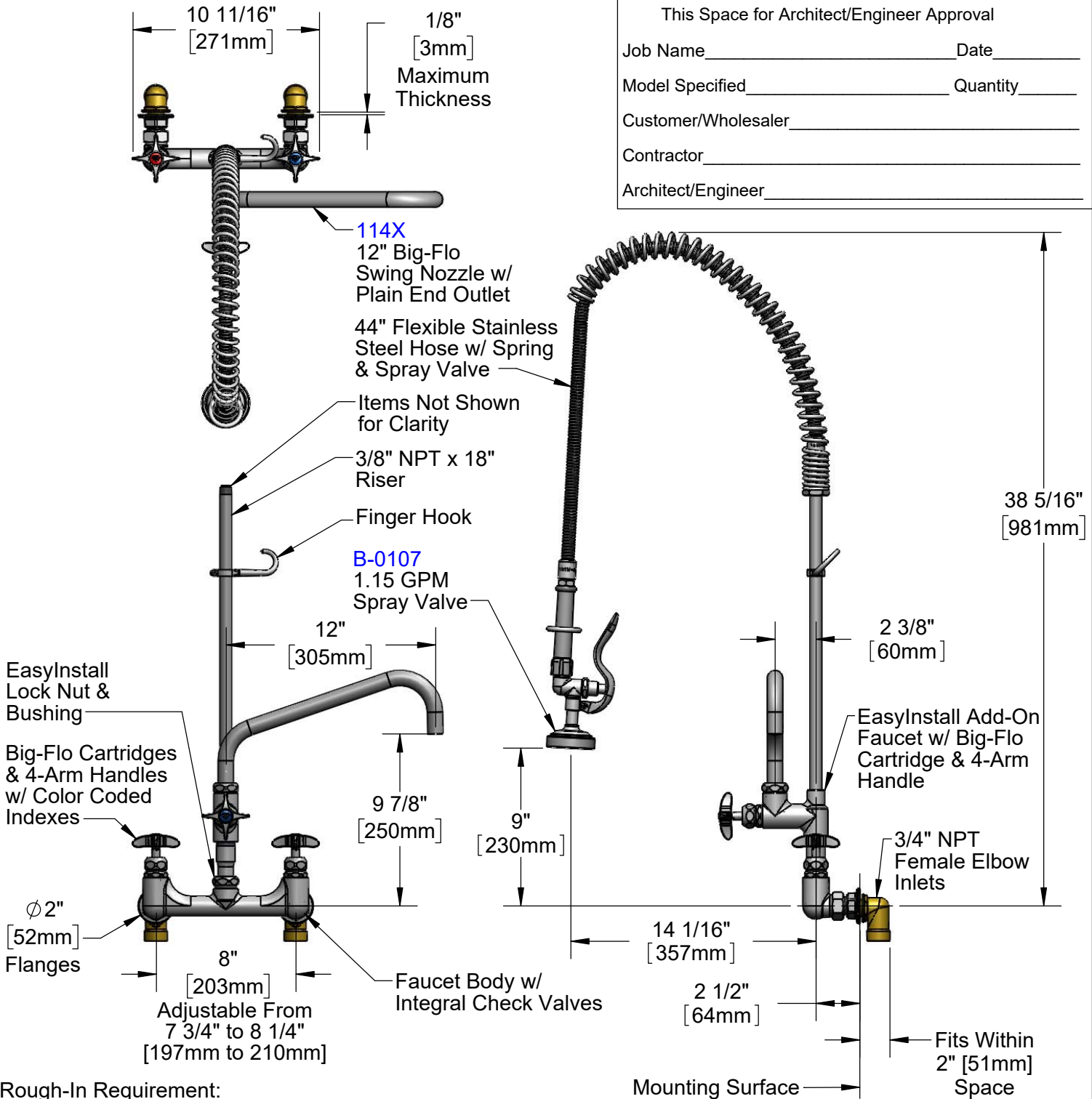
Job Name \_\_\_\_\_ Date \_\_\_\_\_

Model Specified \_\_\_\_\_ Quantity \_\_\_\_\_

Customer/Wholesaler \_\_\_\_\_

Contractor \_\_\_\_\_

Architect/Engineer \_\_\_\_\_



Rough-In Requirement:  
(2) Ø 1 1/4" [32mm] Mounting Holes

**Product Specifications:**

Pre-Rinse Unit: EasyInstall 8" Wall Mount Big-Flo Mixing Faucet, Big-Flo Cartridges, Check Valves, 4-Arm Handles, Big-Flo Add-On Faucet, 12" Swing Nozzle, 44" Flexible Stainless Steel Hose, 1.15 GPM Spray Valve & 3/4" NPT Female Elbow Inlets

**Product Compliance:**

ASME A112.18.1 / CSA B125.1  
NSF 61 - Section 9  
NSF 372 (Low Lead Content)  
2019 DOE PRSV - Class II



# T&S BRASS AND BRONZE WORKS, INC.

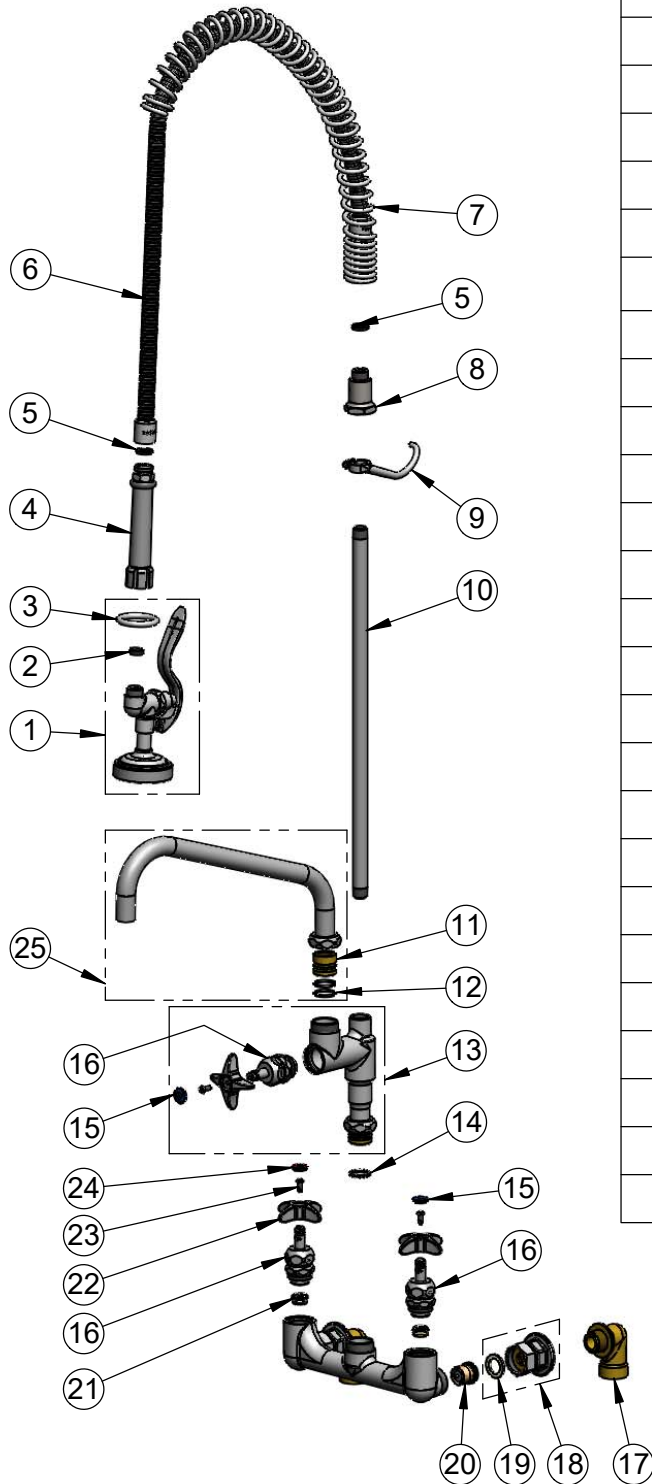
2 Saddleback Cove / P.O. Box 1088  
Travelers Rest, SC 29690

Model No.

**B-0287**

Item No.

Travelers Rest, SC: 800-476-4103 • Simi Valley, CA: 800-423-0150 • Fax: 864-834-3518 • www.tsbrass.com



ITEM NO.	SALES NO.	DESCRIPTION
1	B-0107	1.15 GPM Spray Valve
2	010476-45	#27 Washer
3	000907-45	Spray Valve Hold Down Ring
4	002987-40	Grip Handle
5	001014-45	Washer, B-0100 Hose Barrel
6	B-0044-H2A	44" Flexible Stainless Steel Hose, Less Handle
7	000888-45	EasyInstall Overhead Spring
8	000821-40	Spring Body
9	004R	Finger Hook
10	000369-40	3/8" NPT x 18" Riser
11	000847-20	Big-Flo Swivel Piece
12	001068-45	O-ring
13	B-0286-LNEZ	EasyInstall Big-Flo Add-On Faucet
14	016807-45	Serrated Lock Washer
15	018506-19NS	Blue Button Index, Press-in
16	006482-40NS	Big-Flo Cartridge, RTC
17	00LL	3/4" Short Elbow Inlet
18	00BB	3/4" NPT Female Eccentric Flange
19	001019-45	Coupling Nut Washer
20	016902-20	Big-Flo Check Valve
21	000764-20	Seat, Big-Flo
22	002521-45NS	4-Arm Handle (New Style)
23	000925-45	Lab Handle Screw
24	001193-19NS	Red Button Index, Press-in
25	114X	12" Big-Flo Swing Nozzle

**Product Specifications:**

Pre-Rinse Unit: EasyInstall 8" Wall Mount Big-Flo Mixing Faucet, Big-Flo Cartridges, Check Valves, 4-Arm Handles, Big-Flo Add-On Faucet, 12" Swing Nozzle, 44" Flexible Stainless Steel Hose, 1.15 GPM Spray Valve & 3/4" NPT Female Elbow Inlets

**Product Compliance:**

ASME A112.18.1 / CSA B125.1  
NSF 61 - Section 9  
NSF 372 (Low Lead Content)  
2019 DOE PRSV - Class II