



T&S BRASS AND BRONZE WORKS, INC.
 2 Saddleback Cove / P.O. Box 1088
 Travelers Rest, SC 29690

Model No.
B-0287-A14BEKST

Item No.

Travelers Rest, SC: 800-476-4103 • Simi Valley, CA: 800-423-0150 • Fax: 864-834-3518 • www.tsbrass.com

This Space for Architect/Engineer Approval

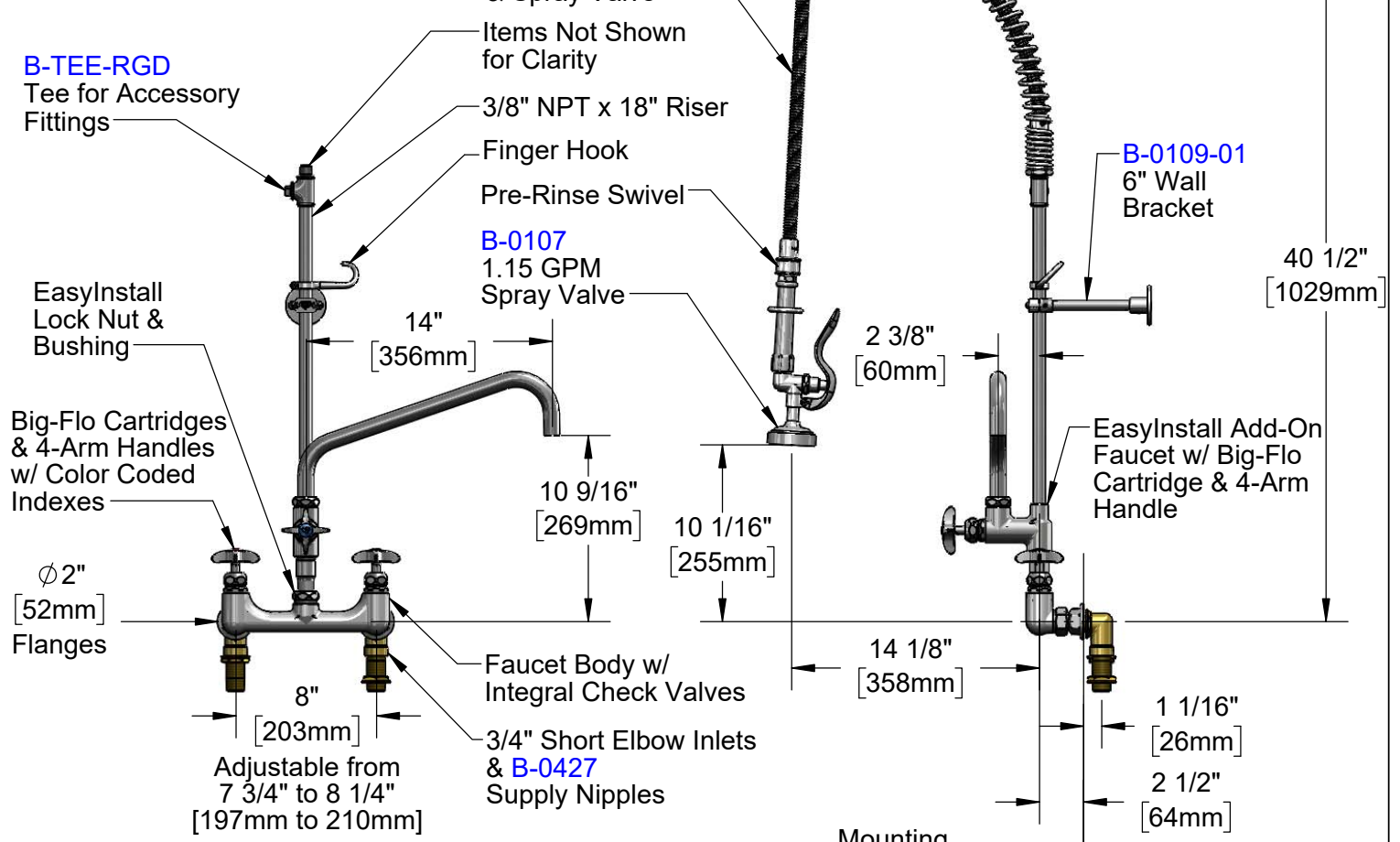
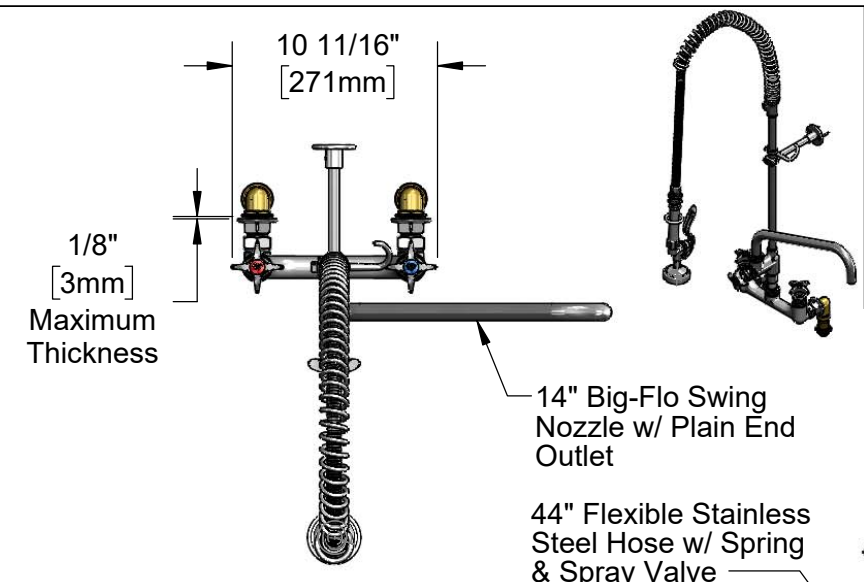
Job Name _____ Date _____

Model Specified _____ Quantity _____

Customer/Wholesaler _____

Contractor _____

Architect/Engineer _____



Rough-In Requirement:
 (2) Ø 1 1/4" [32mm] Mounting Holes

Product Specifications:
 Pre-Rinse Unit: 8" Wall Mount Big-Flo Faucet w/ Big-Flo Cartridges, Check Valves, 4-Arm Handles, EasyInstall Big-Flo Add-On Faucet w/ 14" Swing Nozzle w/ Plain End Outlet, 44" Flexible Stainless Steel Hose w/ Swivel, 1.15 GPM Spray Valve, 6" Wall Bracket, Accessory Fitting Tee, 3/4" Short Elbow Inlets & Supply Nipples

Product Compliance:
 ASME A112.18.1 / CSA B125.1
 NSF 61 - Section 9
 NSF 372 (Low Lead Content)
 2019 DOE PRSV - Class II



T&S BRASS AND BRONZE WORKS, INC.

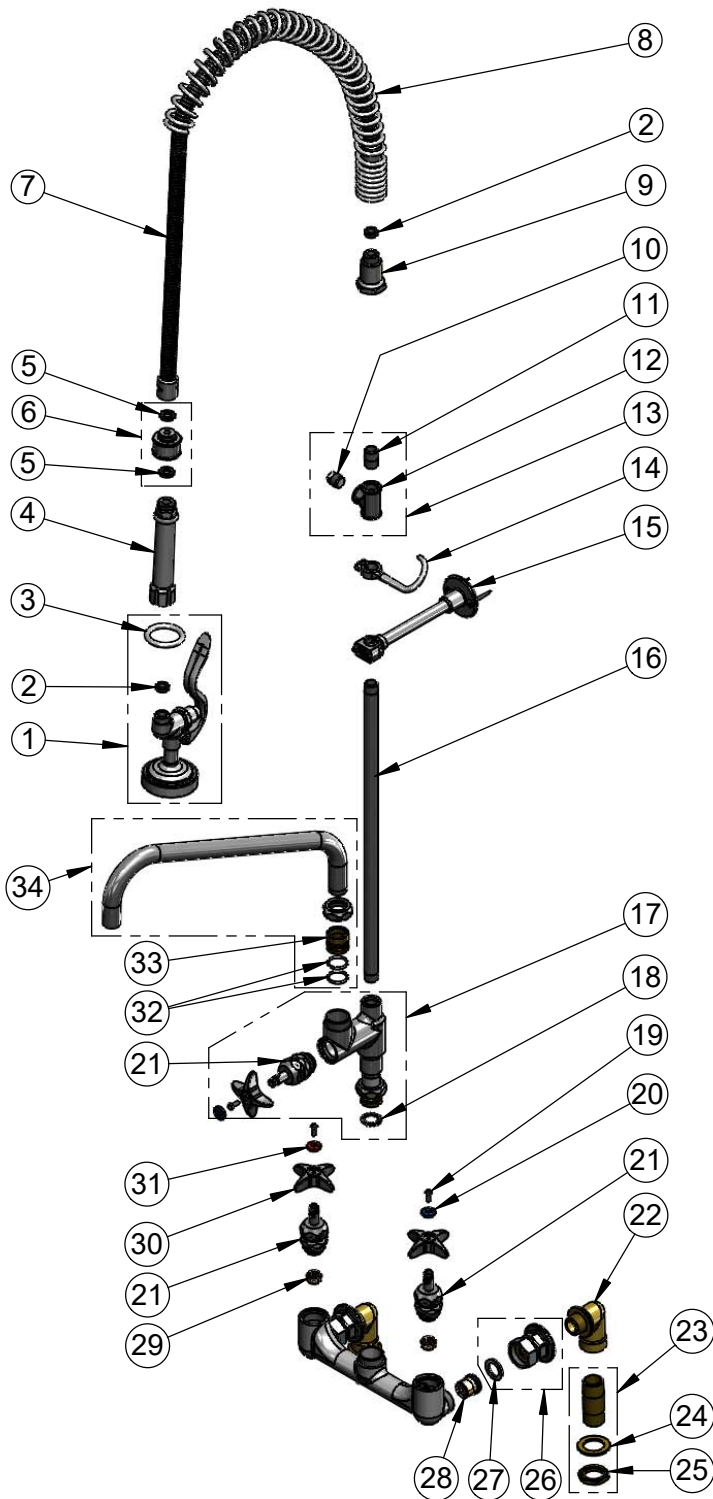
2 Saddleback Cove / P.O. Box 1088
Travelers Rest, SC 29690

Model No.

B-0287-A14BEKST

Item No.

Travelers Rest, SC: 800-476-4103 • Simi Valley, CA: 800-423-0150 • Fax: 864-834-3518 • www.tsbrass.com



ITEM NO.	SALES NO.	DESCRIPTION
1	B-0107	1.15 GPM Spray Valve
2	010476-45	#27 Washer
3	000907-45	Spray Valve Hold Down Ring
4	002987-40	Grip Handle
5	001014-45	Washer, B-0100 Hose Barrel
6	018200-40	Pre-Rinse Swivel
7	B-0044-H2A	44" Flexible Stainless Steel Hose, Less Handle
8	000888-45	EasyInstall Overhead Spring
9	000821-40	Spring Body
10	002369-25	3/8" NPT Plug
11	002535-25	3/8" Close Nipple
12	001614-40	3/8" NPT Forged Tee
13	B-TEE-RGD	Rigid Tee
14	004R	Finger Hook
15	B-0109-01	6" Wall Bracket
16	000369-40	3/8" NPT x 18" Riser
17	B-0286-LNEZ	EasyInstall Big-Flo Add-On Faucet
18	016807-45	Serrated Lock Washer
19	000925-45	Lab Handle Screw
20	018506-19NS	Blue Button Index, Press-in
21	006482-40NS	Big-Flo Cartridge, RTC
22	00LL	3/4" Short Elbow Inlet
23	B-0427	3/4" NPT Supply Nipple Kit
24	001005-45	Washer
25	009846-45	Lock Nut, 3/4" NPSL
26	00BB	3/4" NPT Female Eccentric Flange
27	001019-45	Coupling Nut Washer
28	016902-20	Big-Flo Check Valve
29	000764-20	Seat, Big-Flo
30	002521-45NS	4-Arm Handle (New Style)
31	001193-19NS	Red Button Index, Press-in
32	001068-45	O-ring
33	000847-20	Big-Flo Swivel Piece
34	014462-40	14" Big-Flo Swing Nozzle

Product Specifications:

Pre-Rinse Unit: 8" Wall Mount Big-Flo Faucet w/ Big-Flo Cartridges, Check Valves, 4-Arm Handles, EasyInstall Big-Flo Add-On Faucet w/ 14" Swing Nozzle w/ Plain End Outlet, 44" Flexible Stainless Steel Hose w/ Swivel, 1.15 GPM Spray Valve, 6" Wall Bracket, Accessory Fitting Tee, 3/4" Short Elbow Inlets & Supply Nipples

Product Compliance:

ASME A112.18.1 / CSA B125.1
NSF 61 - Section 9
NSF 372 (Low Lead Content)
2019 DOE PRSV - Class II