



T&S BRASS AND BRONZE WORKS, INC.
 2 Saddleback Cove / P.O. Box 1088
 Travelers Rest, SC 29690

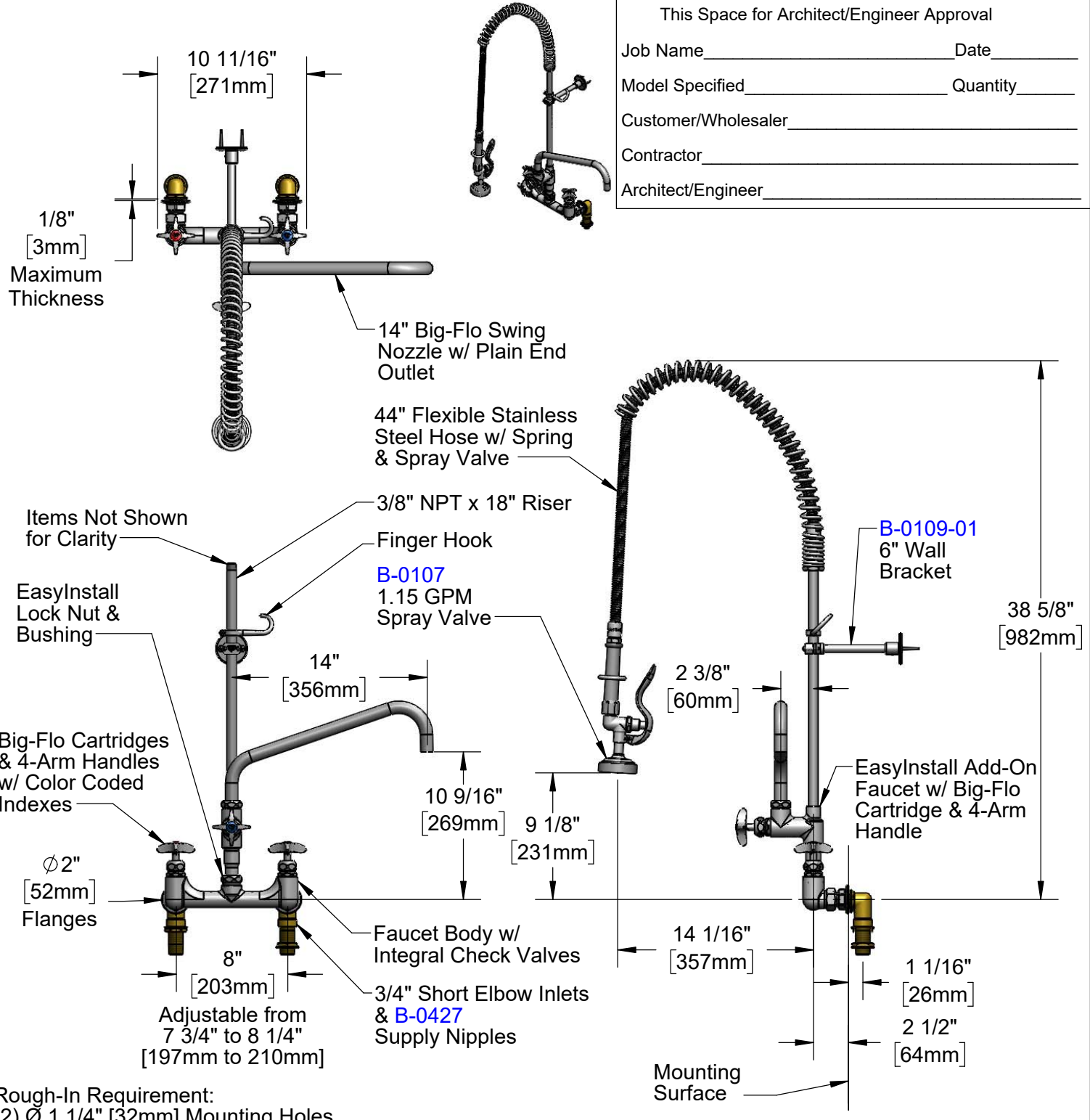
Model No.
B-0287-A14-B-EK

Item No.

Travelers Rest, SC: 800-476-4103 • Simi Valley, CA: 800-423-0150 • Fax: 864-834-3518 • www.tsbrass.com

This Space for Architect/Engineer Approval

Job Name _____ Date _____
 Model Specified _____ Quantity _____
 Customer/Wholesaler _____
 Contractor _____
 Architect/Engineer _____



Rough-In Requirement:
 (2) Ø 1 1/4" [32mm] Mounting Holes

Product Specifications:
 Pre-Rinse Unit: 8" Wall Mount BIG-FLO Faucet w/ Big-Flo Cartridges, Check Valves, 4-Arm Handles, EasyInstall BIG-FLO Add-On Faucet w/ 14" Swing Nozzle w/ Plain End Outlet, 44" Flexible Stainless Steel Hose, 1.15 GPM Spray Valve, 6" Wall Bracket, 3/4" Short Elbow Inlets & Supply Nipples

Product Compliance:
 ASME A112.18.1 / CSA B125.1
 NSF 61 - Section 9
 NSF 372 (Low Lead Content)
 2019 DOE PRSV - Class II



T&S BRASS AND BRONZE WORKS, INC.

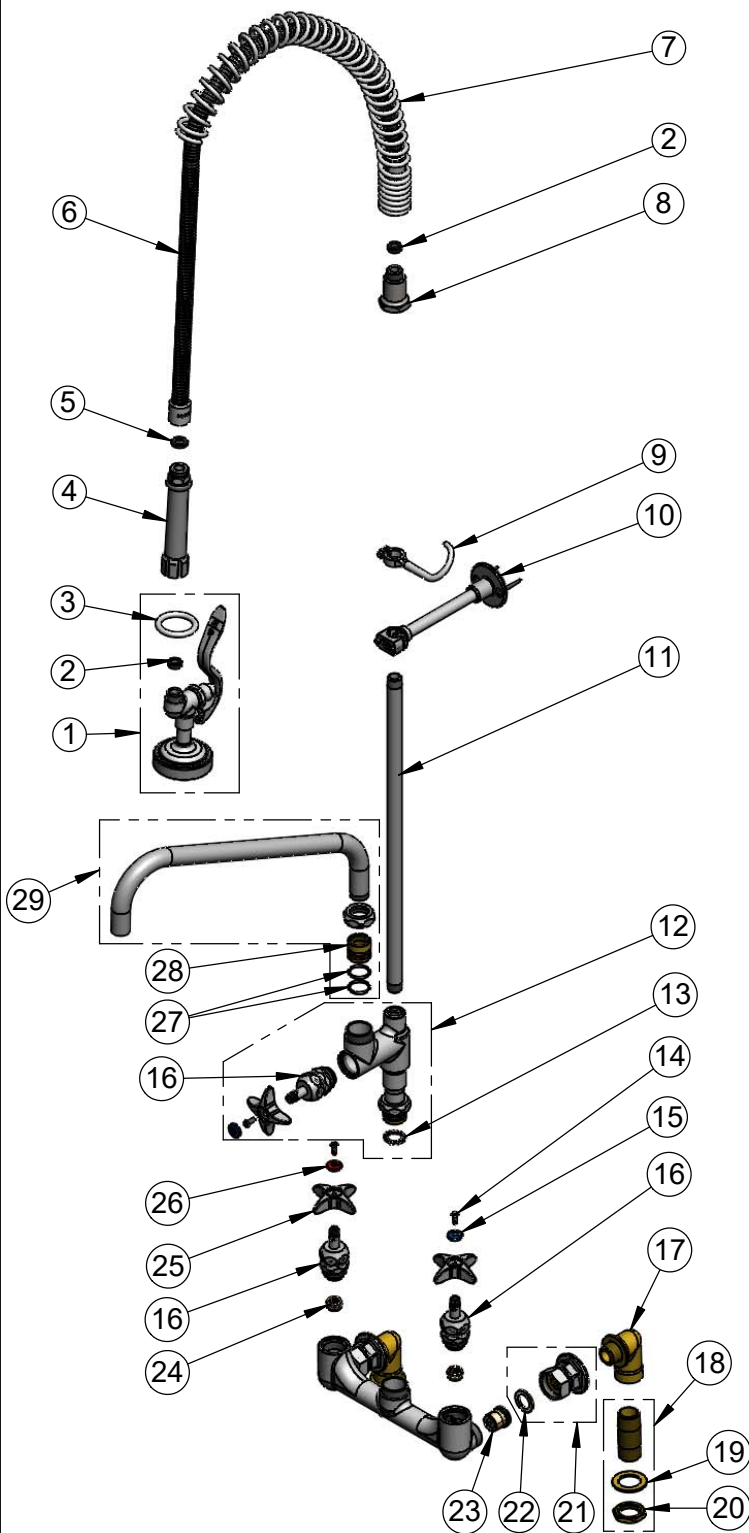
2 Saddleback Cove / P.O. Box 1088
Travelers Rest, SC 29690

Model No.

B-0287-A14-B-EK

Item No.

Travelers Rest, SC: 800-476-4103 • Simi Valley, CA: 800-423-0150 • Fax: 864-834-3518 • www.tsbrass.com



ITEM NO.	SALES NO.	DESCRIPTION
1	B-0107	1.15 GPM Spray Valve
2	010476-45	#27 Washer
3	000907-45	Spray Valve Hold Down Ring
4	002987-40	Grip Handle
5	001014-45	Washer, Hose Barrel
6	B-0044-H2A	44" Flexible Stainless Steel Hose, Less Handle
7	000888-45	EasyInstall Overhead Spring
8	000821-40	Spring Body
9	004R	Finger Hook
10	B-0109-01	6" Wall Bracket
11	000369-40	3/8" NPT x 18" Riser
12	B-0286-LNEZ	EasyInstall Big-Flo Add-On Faucet
13	016807-45	Serrated Lock Washer
14	000925-45	Lab Handle Screw
15	018506-19NS	Blue Button Index, Press-in
16	006482-40NS	Big-Flo Cartridge, RTC
17	00LL	3/4" Short Elbow Inlet
18	B-0427	3/4" NPT Supply Nipple Kit
19	001005-45	Washer
20	009846-45	Lock Nut, 3/4" NPSL
21	00BB	3/4" NPT Female Eccentric Flange
22	001019-45	Coupling Nut Washer
23	016902-20	Big-Flo Check Valve
24	000764-20	Seat, Big-Flo
25	002521-45NS	4-Arm Handle (New Style)
26	001193-19NS	Red Button Index, Press-in
27	001068-45	O-ring
28	000847-20	Big-Flo Swivel Piece
29	014462-40	14" Big-Flo Swing Nozzle

Product Specifications:

Pre-Rinse Unit: 8" Wall Mount BIG-FLO Faucet w/ Big-Flo Cartridges, Check Valves, 4-Arm Handles, EasyInstall BIG-FLO Add-On Faucet w/ 14" Swing Nozzle w/ Plain End Outlet, 44" Flexible Stainless Steel Hose, 1.15 GPM Spray Valve, 6" Wall Bracket, 3/4" Short Elbow Inlets & Supply Nipples

Product Compliance:

ASME A112.18.1 / CSA B125.1
NSF 61 - Section 9
NSF 372 (Low Lead Content)
2019 DOE PRSV - Class II