



T&S BRASS AND BRONZE WORKS, INC.

2 Saddleback Cove / P.O. Box 1088
Travelers Rest, SC 29690

Model No.

B-0284

Item No.

Travelers Rest, SC: 800-476-4103 • Simi Valley, CA: 800-423-0150 • Fax: 864-834-3518 • www.tsbrass.com

This Space for Architect/Engineer Approval

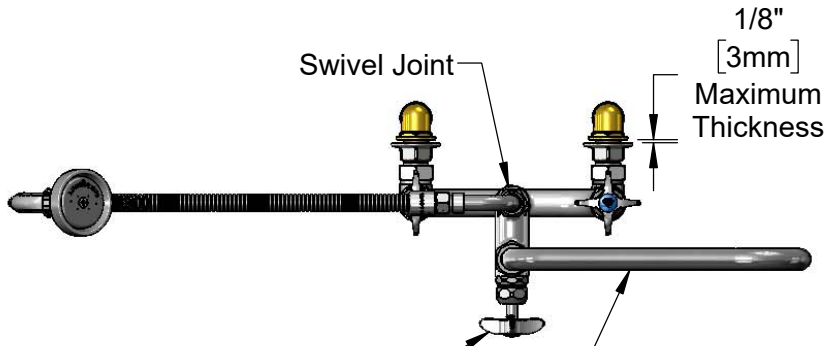
Job Name _____ Date _____

Model Specified _____ Quantity _____

Customer/Wholesaler _____

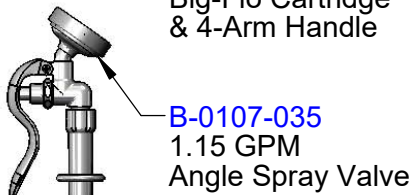
Contractor _____

Architect/Engineer _____



Big-Flo EasyInstall Add-On Faucet w/ Big-Flo Cartridge & 4-Arm Handle

114X 12" Big-Flo Swing Nozzle w/ Plain End Outlet



90° Swivel to Hose Thread Adapter Arm

104" Flexible Stainless Steel Hose

Big-Flo Cartridges & 4-Arm Handles

9 15/16" [252mm]

4 1/4" [107mm]

12" [305mm]

10 11/16" [271mm]

13 7/16" [341mm]

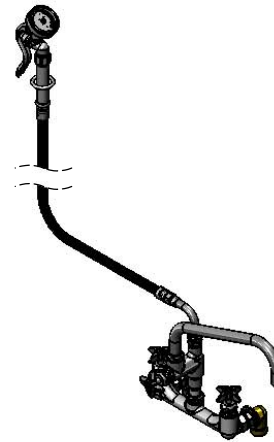
9 7/8" [251mm]

Faucet Body w/ Integral Check Valves

8" [203mm]

3/4" NPT Female Elbow Inlets

Adjustable From 7 3/4" to 8 1/4" [197mm to 210mm]



3 9/16" [91mm]

2 3/8" [60mm]

5 1/4" [133mm]

2 1/2" [64mm]

Fits Within 2" [50mm] Space

Mounting Surface

Rough-In Requirement:
(2) ϕ 1 1/4" [32mm] Mounting Holes

Product Specifications:

8" Wall Mount Big-Flo Mixing Faucet, Big-Flo Cartridges, 4-Arm Handles, Big-Flo Add-On Faucet, 12" Big-Flo Swing Nozzle, Swivel Adapter Arm, 104" Flexible Stainless Steel Hose, 1.15 GPM Angle Spray Valve & 3/4" NPT Female Elbow Inlets

Product Compliance:

ASME A112.18.1 / CSA B125.1
NSF 61 - Section 9
NSF 372 (Low Lead Content)
2019 DOE PRSV - Class II



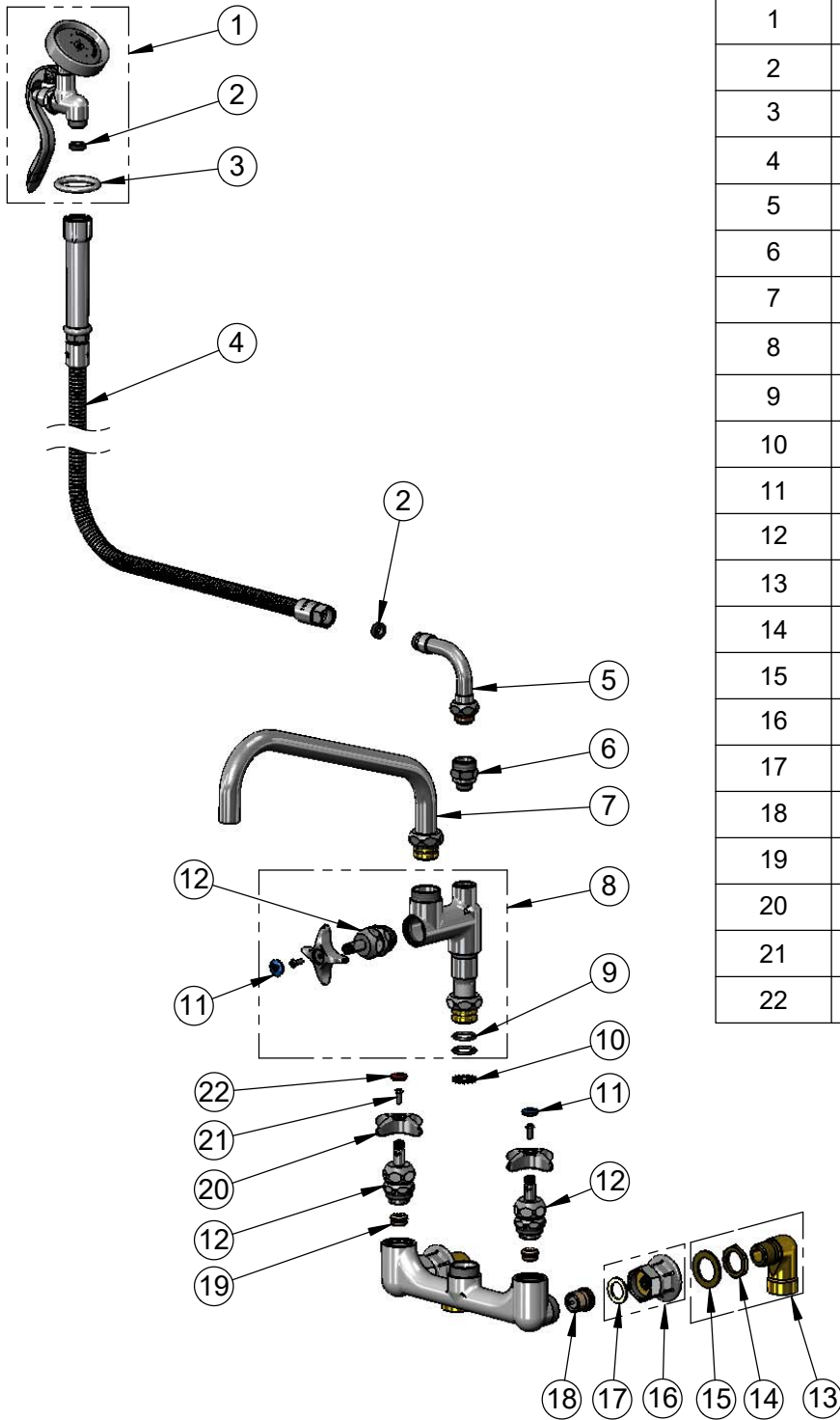
T&S BRASS AND BRONZE WORKS, INC.
 2 Saddleback Cove / P.O. Box 1088
 Travelers Rest, SC 29690

Model No.
B-0284

Item No.

Travelers Rest, SC: 800-476-4103 • Simi Valley, CA: 800-423-0150 • Fax: 864-834-3518 • www.tsbrass.com

ITEM NO.	SALES NO.	DESCRIPTION
1	B-0107-035	1.15 GPM Angled Spray Valve
2	010476-45	#27 Washer
3	000907-45	Spray Valve Hold Down Ring
4	B-0104-H	104" Flexible Stainless Steel Hose w/ Handle
5	034A	Swivel Adapter Arm
6	B-0412	Rigid to Swivel Adapter
7	114X	12" Big-Flo Swing Nozzle
8	B-0286-LNEZ	Big-Flo EasyInstall Add-On Faucet, Less Nozzle
9	001068-45	O-ring
10	016807-45	Serrated Lock Washer
11	018506-19NS	Blue Button Index, Press-in
12	006482-40NS	Big-Flo Cartridge, RTC
13	00LL	3/4" Short Elbow Inlet
14	000971-45	Lock Nut, 3/4" NPSM
15	001005-45	Washer
16	00BB	3/4" NPT Female Eccentric Flange
17	001019-45	Coupling Nut Washer
18	016902-20	Big-Flo Check Valve
19	000764-20	Seat, Big-Flo
20	002521-45NS	4-Arm Handle (New Style)
21	000925-45	Lab Handle Screw
22	001193-19NS	Red Button Index, Press-in



Product Specifications:

8" Wall Mount Big-Flo Mixing Faucet, Big-Flo Cartridges, 4-Arm Handles, Big-Flo Add-On Faucet, 12" Big-Flo Swing Nozzle, Swivel Adapter Arm, 104" Flexible Stainless Steel Hose, 1.15 GPM Angle Spray Valve & 3/4" NPT Female Elbow Inlets

Product Compliance:

ASME A112.18.1 / CSA B125.1
 NSF 61 - Section 9
 NSF 372 (Low Lead Content)
 2019 DOE PRSV - Class II