



T&S BRASS AND BRONZE WORKS, INC.

2 Saddleback Cove / P.O. Box 1088
Travelers Rest, SC 29690

Model No.

B-0279

Item No.

Travelers Rest, SC: 800-476-4103 • Simi Valley, CA: 800-423-0150 • Fax: 864-834-3518 • www.tsbrass.com

This Space for Architect/Engineer Approval

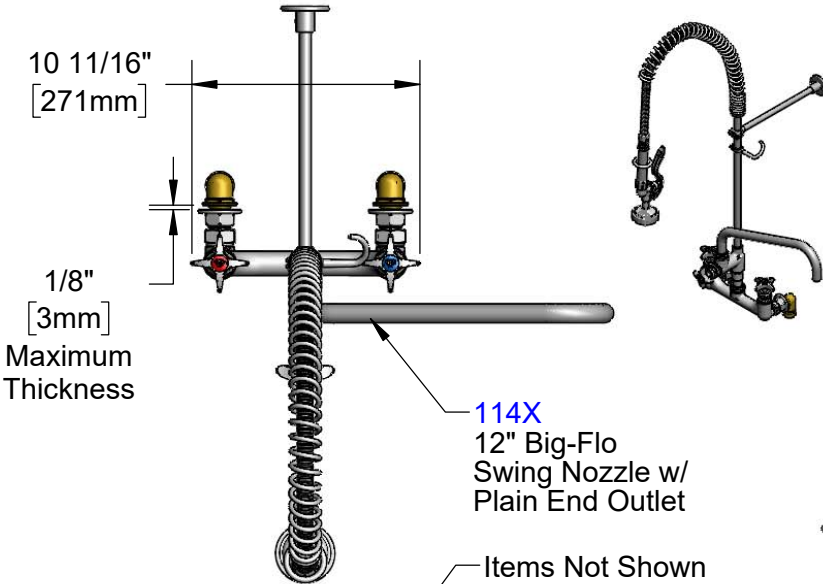
Job Name _____ Date _____

Model Specified _____ Quantity _____

Customer/Wholesaler _____

Contractor _____

Architect/Engineer _____



114X
12" Big-Flo
Swing Nozzle w/
Plain End Outlet

Items Not Shown
for Clarity

3/8" NPT x 18"
Riser

Finger Hook

B-0107
1.15 GPM
Spray Valve

14"
[356mm]

EasyInstall
Lock Nut &
Bushing

Big-Flo Cartridges
& 4-Arm
Handles
w/ Color Coded
Indexes

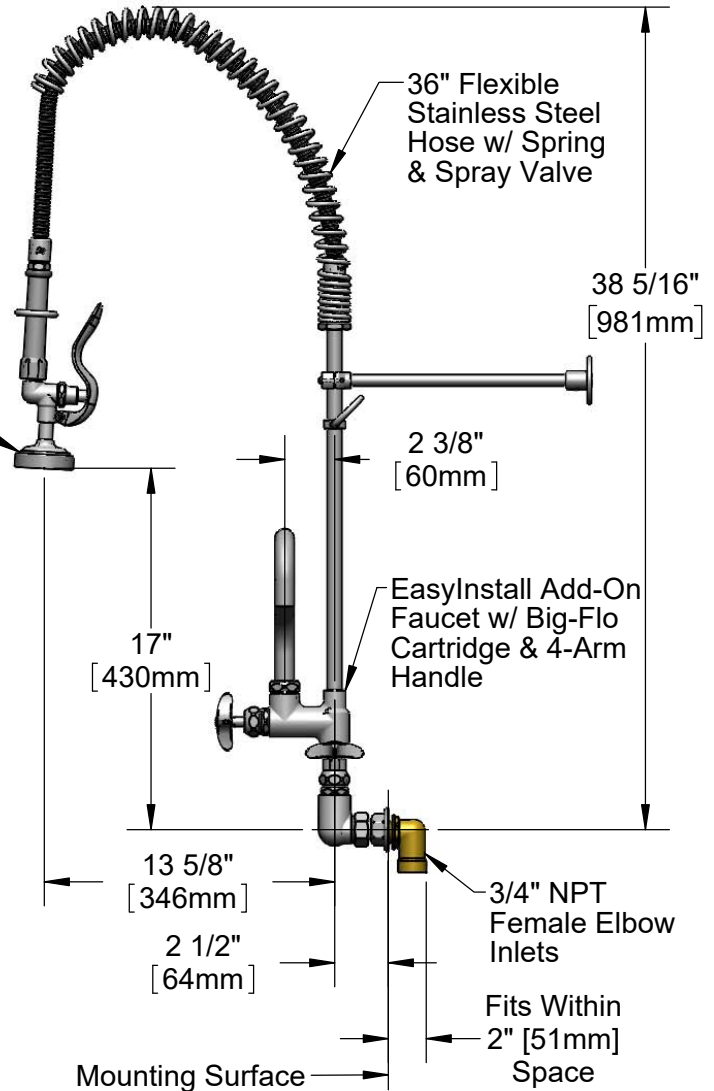
Ø 2"
[52mm]
Flanges

8"
[203mm]
Adjustable From
7 3/4" to 8 1/4"
[197mm to 210mm]

Faucet Body w/
Integral Check Valves

14 1/8"
[359mm]

10 1/2"
[266mm]



36" Flexible
Stainless Steel
Hose w/ Spring
& Spray Valve

38 5/16"
[981mm]

2 3/8"
[60mm]

EasyInstall Add-On
Faucet w/ Big-Flo
Cartridge & 4-Arm
Handle

17"
[430mm]

13 5/8"
[346mm]

2 1/2"
[64mm]

3/4" NPT
Female Elbow
Inlets

Fits Within
2" [51mm]
Space

Mounting Surface

Rough-In Requirement:
(2) Ø 1 1/4" [32mm] Mounting Holes

Product Specifications:

Pre-Rinse Unit: EasyInstall 8" Wall Mount Big-Flo Mixing Faucet, Big-Flo Cartridges, 4-Arm Handles, Big-Flo Add-On Faucet, 14" Swing Nozzle, 36" Flexible Stainless Steel Hose, 1.15 GPM Spray Valve, Intergral Check Valves & 3/4" NPT Elbow Inlets

Product Compliance:

ASME A112.18.1 / CSA B125.1
NSF 61 - Section 9
NSF 372 (Low Lead Content)
2019 DOE PRSV - Class II



T&S BRASS AND BRONZE WORKS, INC.

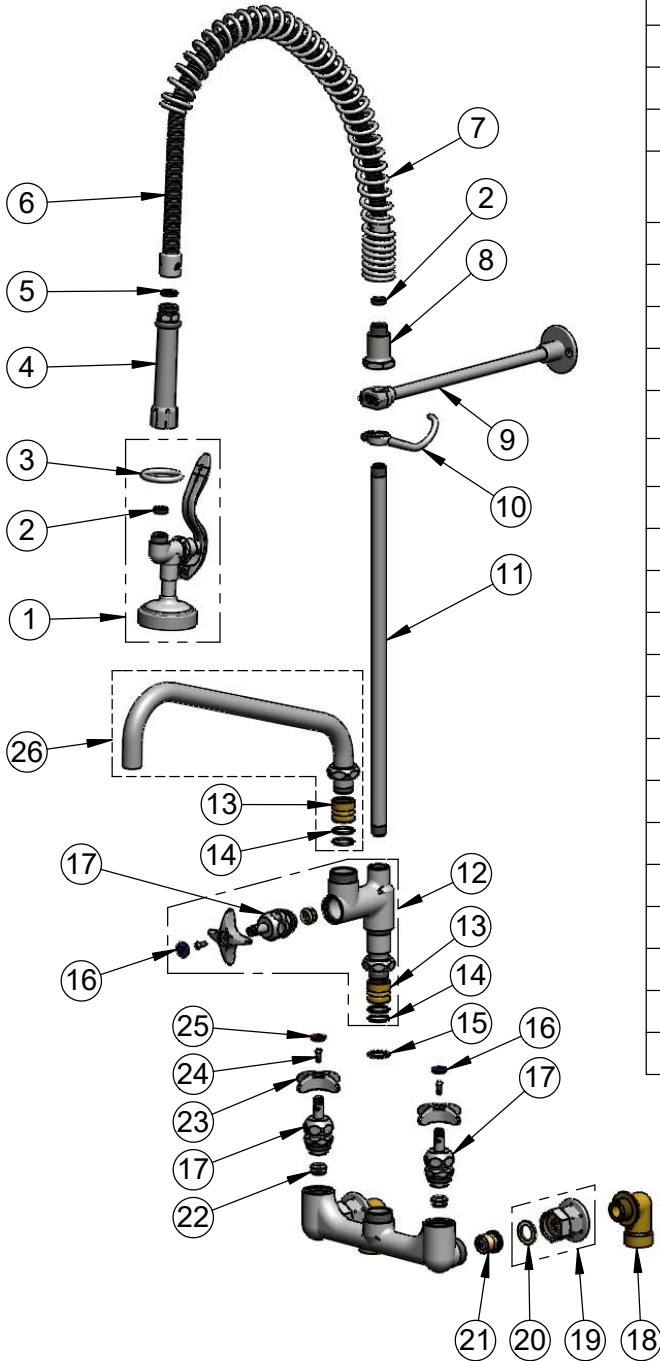
2 Saddleback Cove / P.O. Box 1088
Travelers Rest, SC 29690

Model No.

B-0279

Item No.

Travelers Rest, SC: 800-476-4103 • Simi Valley, CA: 800-423-0150 • Fax: 864-834-3518 • www.tsbrass.com



ITEM NO.	SALES NO.	DESCRIPTION
1	B-0107	1.15 GPM Spray Valve
2	010476-45	#27 Washer
3	000907-45	Spray Valve Hold Down Ring
4	002987-40	Grip Handle
5	001014-45	Washer, B-0100 Hose Barrel
6	B-0036-H2A	36" Flexible Stainless Steel Hose, Less Grip Handle
7	000888-45	EasyInstall Overhead Spring
8	000821-40	Spring Body
9	B-0109-03	12" Adjustable Wall Bracket
10	004R	Finger Hook
11	000369-40	3/8" NPT x 18" Riser
12	B-0286-LNEZ	EasyInstall Big-Flo Add-On Faucet
13	000847-20	Big-Flo Swivel Piece
14	001068-45	O-ring
15	016807-45	Serrated Lock Washer
16	018506-19NS	Blue Button Index, Press-in
17	006482-40NS	Big-Flo Cartridge, RTC
18	00LL	3/4" Short Elbow Inlet
19	00BB	3/4" NPT Female Eccentric Flange
20	001019-45	Coupling Nut Washer
21	016902-20	Big-Flo Check Valve
22	000764-20	Seat, Big-Flo
23	002521-45NS	4-Arm Handle (New Style)
24	000925-45	Lab Handle Screw
25	001193-19NS	Red Button Index, Press-in
26	014462-40	14" Big-Flo Swing Nozzle

Product Specifications:

Pre-Rinse Unit: EasyInstall 8" Wall Mount Big-Flo Mixing Faucet, Big-Flo Cartridges, 4-Arm Handles, Big-Flo Add-On Faucet, 14" Swing Nozzle, 36" Flexible Stainless Steel Hose, 1.15 GPM Spray Valve, Integral Check Valves & 3/4" NPT Elbow Inlets

Product Compliance:

ASME A112.18.1 / CSA B125.1
NSF 61 - Section 9
NSF 372 (Low Lead Content)
2019 DOE PRSV - Class II