



**T&S BRASS AND BRONZE WORKS, INC.**  
 2 Saddleback Cove / P.O. Box 1088  
 Travelers Rest, SC 29690

Model No.  
**B-0268-03**

Item No.

Travelers Rest, SC: 800-476-4103 • Simi Valley, CA: 800-423-0150 • Fax: 864-834-3518 • www.tsbrass.com



**ADA Compliant**

This Space for Architect/Engineer Approval

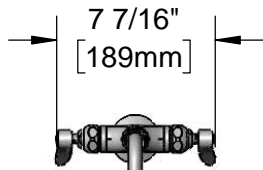
Job Name \_\_\_\_\_ Date \_\_\_\_\_

Model Specified \_\_\_\_\_ Quantity \_\_\_\_\_

Customer/Wholesaler \_\_\_\_\_

Contractor \_\_\_\_\_

Architect/Engineer \_\_\_\_\_



12" Back Section  
Nozzle

12" Swing Nozzle w/  
Stream Regulator Outlet

24" Double Joint  
Swing Nozzle w/  
B-PT  
Stream Regulator  
Outlet

Quarter-Turn  
Eterna Cartridges w/  
Spring Checks &  
Lever Handles w/  
Color Coded Indexes

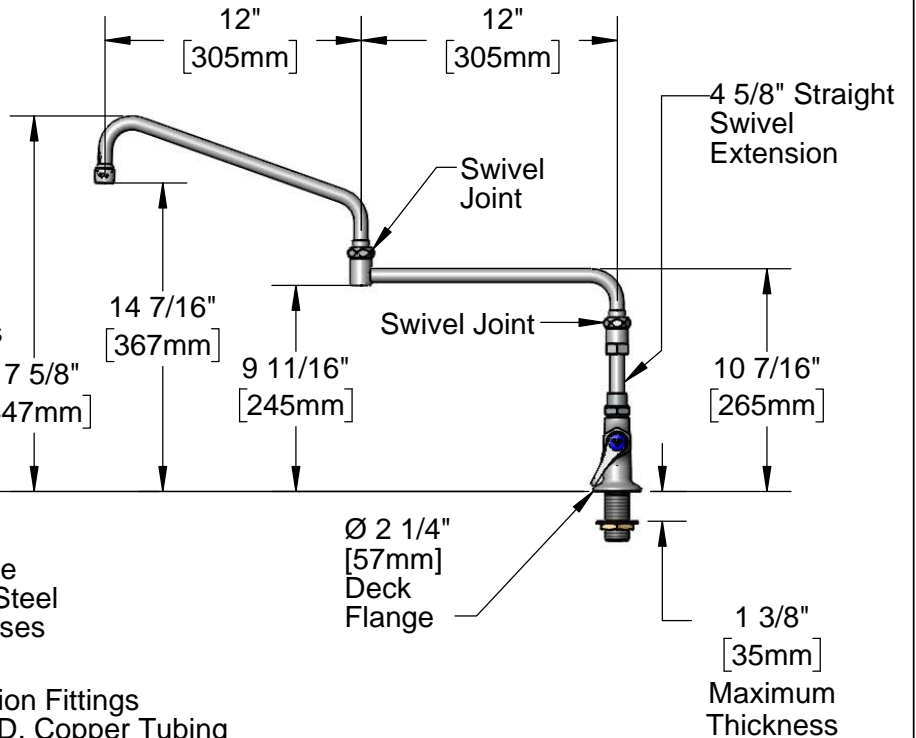
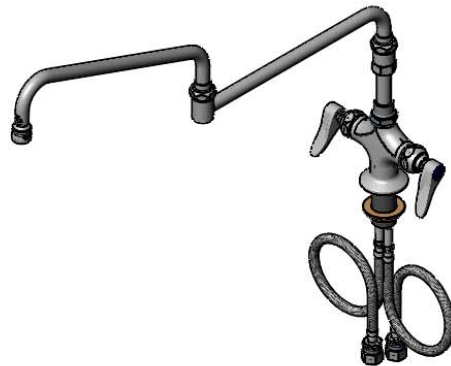
2 5/16"  
[58mm]

Mounting Surface

18" Flexible  
Stainless Steel  
Supply Hoses

Compression Fittings  
for 5/8" O.D. Copper Tubing  
(Remove Compression Nut  
for 1/2" NPSM Male)

Rough-In Requirement:  
 $\phi$  1 1/2" [38mm] Mounting Hole



**Product Specifications:**  
 Single Hole Deck Mount Mixing Faucet, Quarter-Turn Eterna Cartridges w/  
 Spring Checks, 24" Double-Joint Nozzle w/ Stream Regulator Outlet, 4 5/8"  
 Extension & 18" Flexible Stainless Steel Supply Hoses w/ 1/2" NPSM Male  
 Inlets

**Product Compliance:**  
 ASME A112.18.1 / CSA B125.1  
 NSF 61 - Section 9  
 NSF 372 (Low Lead Content)  
 ANSI A117.1 (ADA)



# T&S BRASS AND BRONZE WORKS, INC.

2 Saddleback Cove / P.O. Box 1088  
Travelers Rest, SC 29690

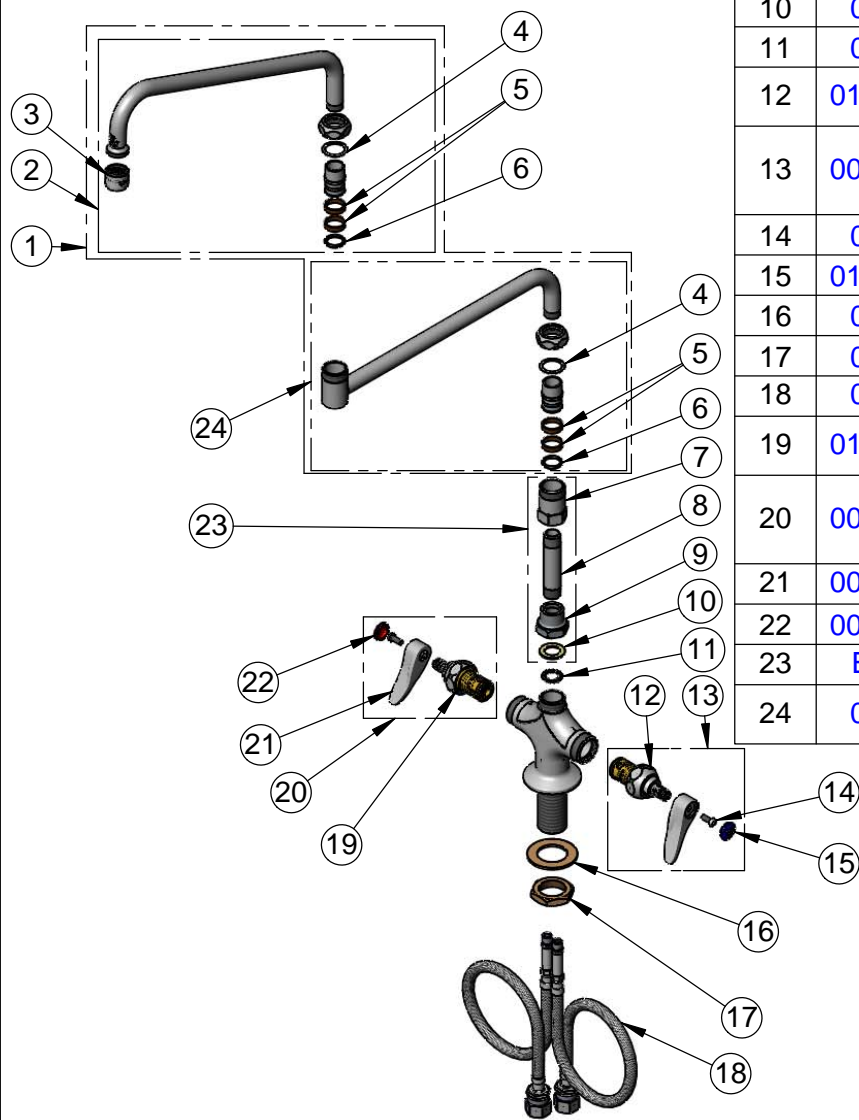
Model No.

**B-0268-03**

Item No.

Travelers Rest, SC: 800-476-4103 • Simi Valley, CA: 800-423-0150 • Fax: 864-834-3518 • www.tsbrass.com

| ITEM NO. | SALES NO.   | DESCRIPTION  |
|----------|-------------|--|
| 1        | 017919-40   | 24" Double Joint Swing Nozzle w/ 12" Front Section & 12" Back Section          |
| 2        | 062X        | 12" Swing Nozzle   |
| 3        | B-PT        | Stream Regulator Outlet  |
| 4        | 009538-45   | Swivel Washer  |
| 5        | 011429-45   | Swivel Sleeves (2)   |
| 6        | 001074-45   | O-Ring   |
| 7        | 054X        | Swivel Body  |
| 8        | 000358-40   | Nipple, 3/8" NPT x 3"  |
| 9        | B-0413      | Adapter, Swivel to Rigid   |
| 10       | 001049-45   | Washer   |
| 11       | 014200-45   | Star Washer, Anti-Rotation   |
| 12       | 012442-40NS | Quarter-Turn Eterna Cartridge w/ Spring Check, LTC                             |
| 13       | 002711-40NS | Quarter-Turn Eterna Cartridge w/ Spring Check, Handle, Blue Index & Screw, LTC |
| 14       | 000925-45   | Lab Handle Screw   |
| 15       | 018506-19NS | Blue Button Index, Press-in  |
| 16       | 002290-45   | Lock Washer  |
| 17       | 000965-45   | Lock Nut   |
| 18       | 012534-45   | 18" Flexible Supply Hose (2)   |
| 19       | 012443-40NS | Quarter-Turn Eterna Cartridge w/ Spring Check, RTC                             |
| 20       | 002712-40NS | Quarter-Turn Eterna Cartridge w/ Spring Check, Handle, Red Index & Screw, RTC  |
| 21       | 001638-45NS | Lever Handle (New Style)   |
| 22       | 001193-19NS | Red Button Index, Press-in   |
| 23       | B-1912-11   | 4 5/8" Straight Swivel Extension   |
| 24       | 002871-40   | Double Joint Swing Nozzle 12" Back Section                                     |



**Product Specifications:**  
Single Hole Deck Mount Mixing Faucet, Quarter-Turn Eterna Cartridges w/ Spring Checks, 24" Double-Joint Nozzle w/ Stream Regulator Outlet, 4 5/8" Extension & 18" Flexible Stainless Steel Supply Hoses w/ 1/2" NPSM Male Inlets

**Product Compliance:**  
ASME A112.18.1 / CSA B125.1  
NSF 61 - Section 9  
NSF 372 (Low Lead Content)  
ANSI A117.1 (ADA)