



T&S BRASS AND BRONZE WORKS, INC.

2 Saddleback Cove / P.O. Box 1088
Travelers Rest, SC 29690

Model No.

B-0261

Item No.

Travelers Rest, SC: 800-476-4103 • Simi Valley, CA: 800-423-0150 • Fax: 864-834-3518 • www.tsbrass.com



ADA Compliant

This Space for Architect/Engineer Approval

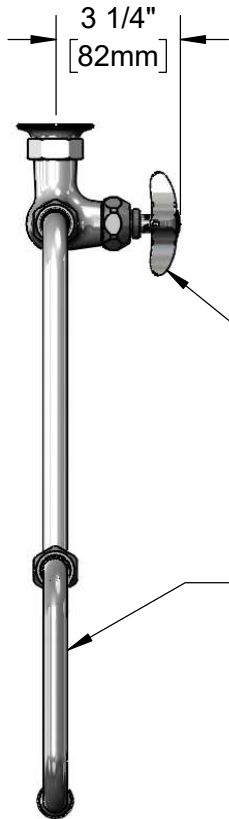
Job Name _____ Date _____

Model Specified _____ Quantity _____

Customer/Wholesaler _____

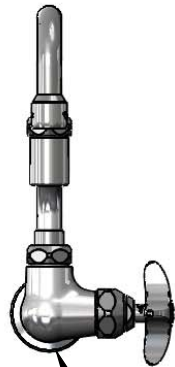
Contractor _____

Architect/Engineer _____

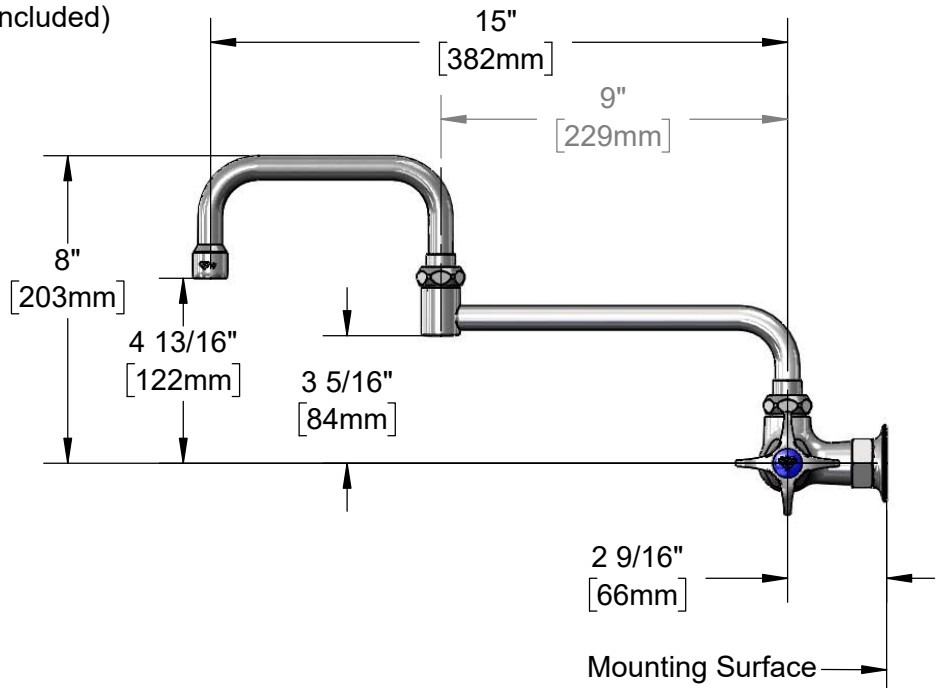


Quarter-Turn Eterna Cartridge
w/ Spring Check &
4-Arm Handle w/ Blue
Color Coded Index

067X
15" Double Joint
Swing Nozzle w/
Stream Regulator Outlet.
Converts to Rigid w/
014200-45
Lock Washer (Included)



Ø 2 3/16"
[56mm]
Flange w/
1/2" NPT
Female Inlet



Product Specifications:

Single Hole Single Temperature Wall Mount Faucet, Quarter-Turn Eterna Cartridge w/ Spring Check, 4-Arm Handle, 15" Double Joint Swing Nozzle & 1/2" NPT Female Inlet

Product Compliance:

ASME A112.18.1 / CSA B125.1
NSF 61 - Section 9
NSF 372 (Low Lead Content)
ANSI A117.1 (ADA)

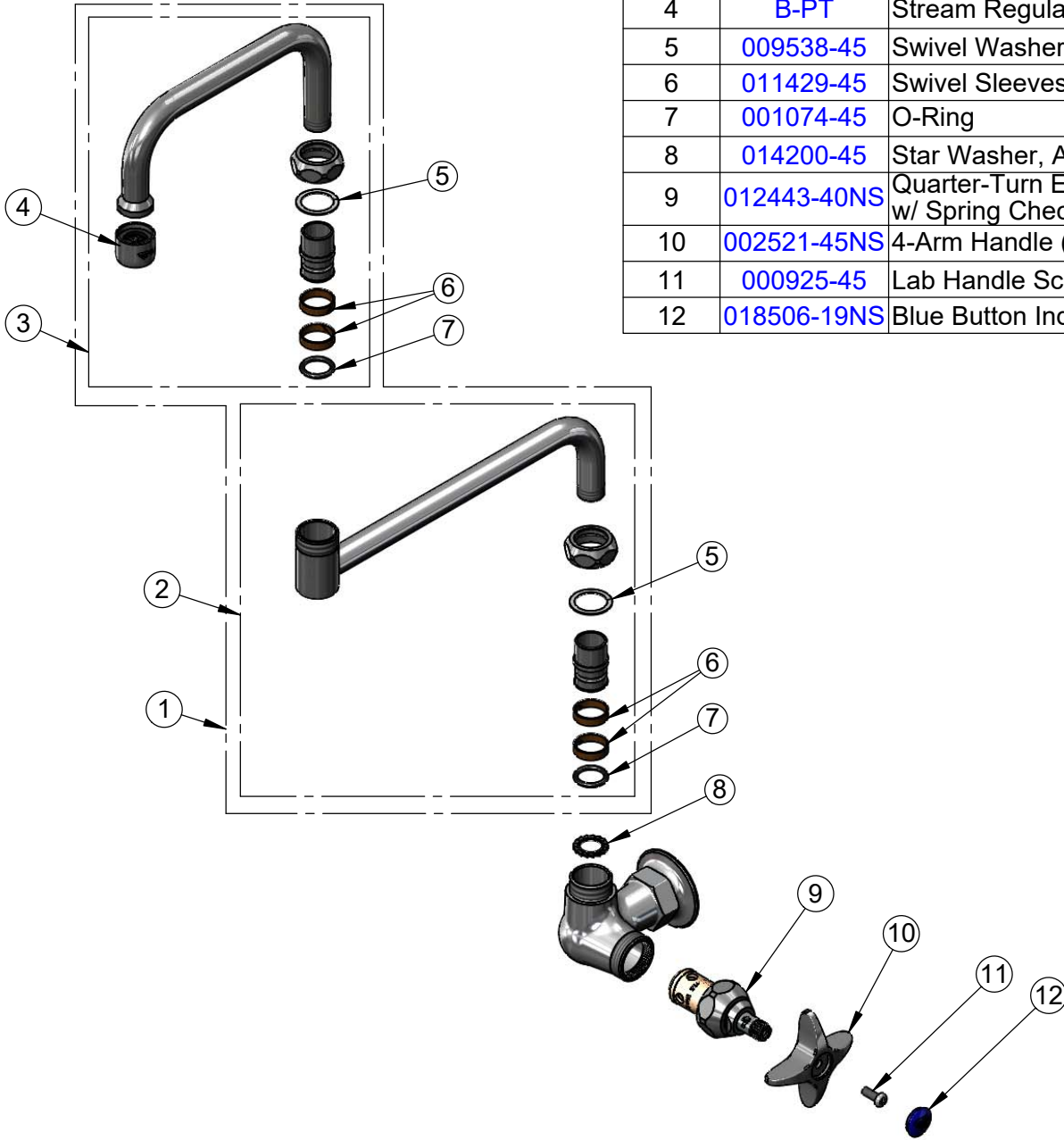


T&S BRASS AND BRONZE WORKS, INC.
 2 Saddleback Cove / P.O. Box 1088
 Travelers Rest, SC 29690

Model No.
B-0261

Item No.

Travelers Rest, SC: 800-476-4103 • Simi Valley, CA: 800-423-0150 • Fax: 864-834-3518 • www.tsbrass.com



ITEM NO.	SALES NO.	DESCRIPTION
1	067X	15" Double Joint Swing Nozzle w/ Stream Regulator Outlet
2	152X	12" Double Joint Swing Nozzle, 9" Back Section
3	153X	12" Double Joint Swing Nozzle, 6" Front Section
4	B-PT	Stream Regulator Outlet
5	009538-45	Swivel Washer
6	011429-45	Swivel Sleeves (2)
7	001074-45	O-Ring
8	014200-45	Star Washer, Anti-Rotation
9	012443-40NS	Quarter-Turn Eterna Cartridge w/ Spring Check, RTC
10	002521-45NS	4-Arm Handle (New Style)
11	000925-45	Lab Handle Screw
12	018506-19NS	Blue Button Index, Press-in

Product Specifications:
 Single Hole Single Temperature Wall Mount Faucet, Quarter-Turn Eterna Cartridge w/ Spring Check, 4-Arm Handle, 15" Double Joint Swing Nozzle & 1/2" NPT Female Inlet

Product Compliance:
 ASME A112.18.1 / CSA B125.1
 NSF 61 - Section 9
 NSF 372 (Low Lead Content)
 ANSI A117.1 (ADA)