



**T&S BRASS AND BRONZE WORKS, INC.**  
 2 Saddleback Cove / P.O. Box 1088  
 Travelers Rest, SC 29690

Model No.  
**B-0260-CR-177F**

Item No.

Travelers Rest, SC: 800-476-4103 • Simi Valley, CA: 800-423-0150 • Fax: 864-834-3518 • www.tsbrass.com



**ADA Compliant**

This Space for Architect/Engineer Approval

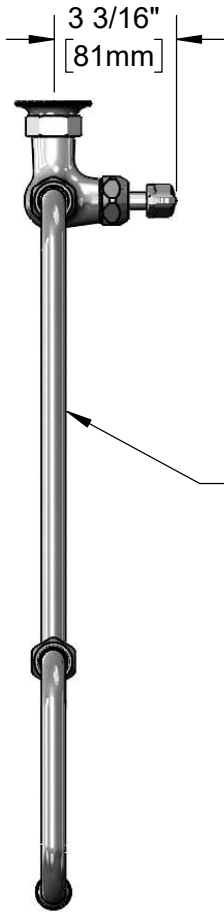
Job Name \_\_\_\_\_ Date \_\_\_\_\_

Model Specified \_\_\_\_\_ Quantity \_\_\_\_\_

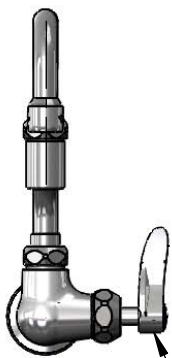
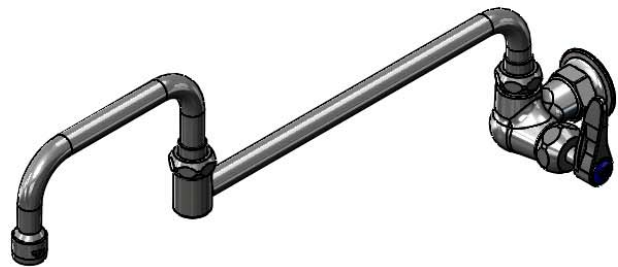
Customer/Wholesaler \_\_\_\_\_

Contractor \_\_\_\_\_

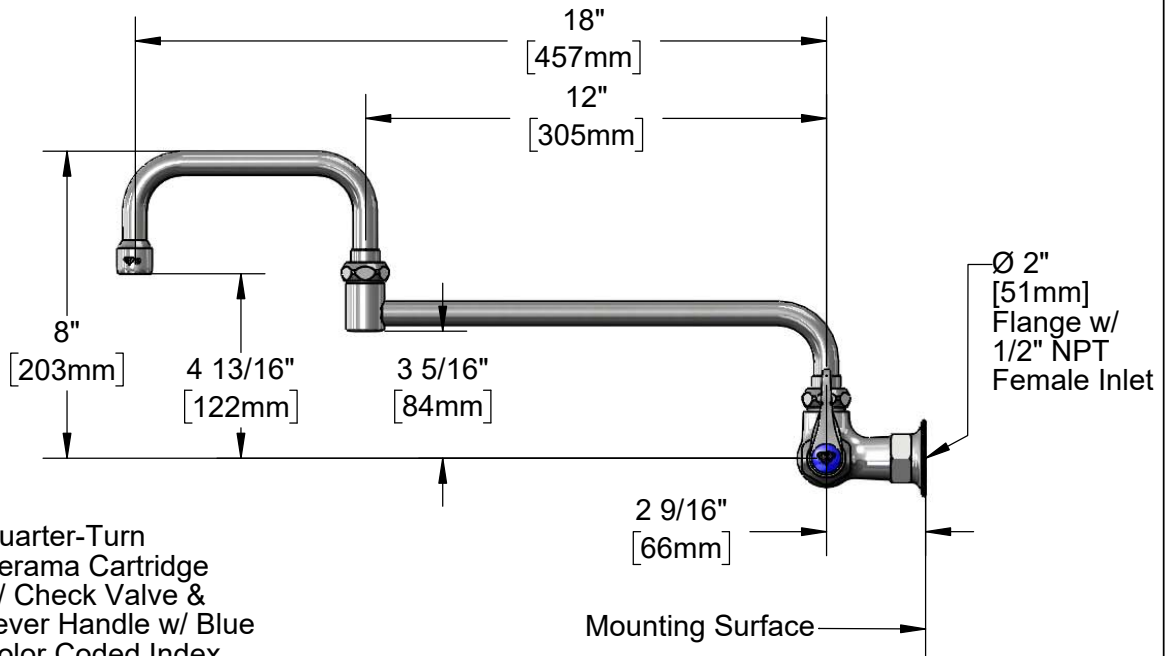
Architect/Engineer \_\_\_\_\_



**068X**  
 18" Double Joint Swing Nozzle  
 w/ Stream Regulator Outlet.  
 Converts to Rigid w/  
**014200-45**  
 Lock Washer (Included)



Quarter-Turn  
 Cerama Cartridge  
 w/ Check Valve &  
 Lever Handle w/ Blue  
 Color Coded Index



**Product Specifications:**

Single Hole Single Temperature Wall Mount Faucet, Quarter-Turn Cerama Cartridge w/ Check Valve, Lever Handle, 18" Double Joint Swing Nozzle w/ Stream Regulator Outlet & 1/2" NPT Female Inlet

**Product Compliance:**

ASME A112.18.1 / CSA B125.1  
 NSF 61 - Section 9  
 NSF 372 (Low Lead Content)  
 ANSI A117.1 (ADA)



# T&S BRASS AND BRONZE WORKS, INC.

2 Saddleback Cove / P.O. Box 1088  
Travelers Rest, SC 29690

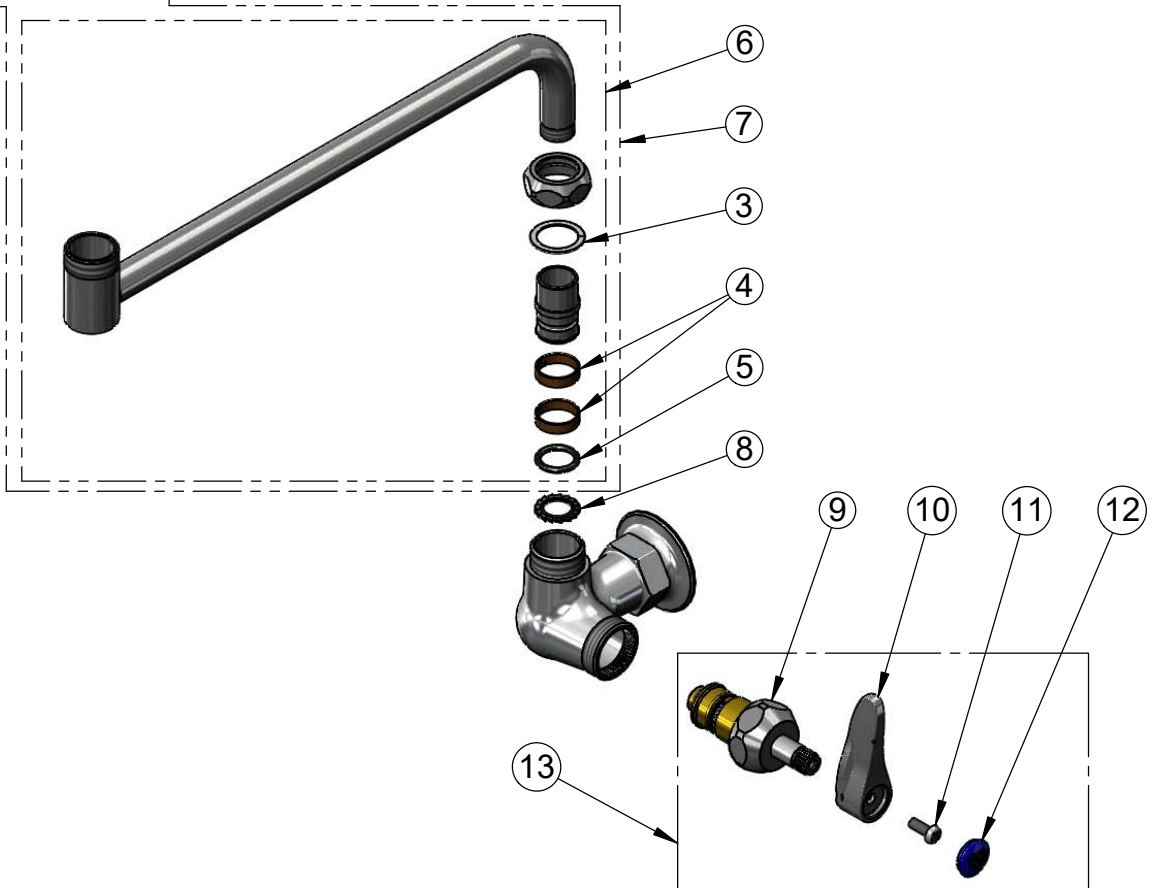
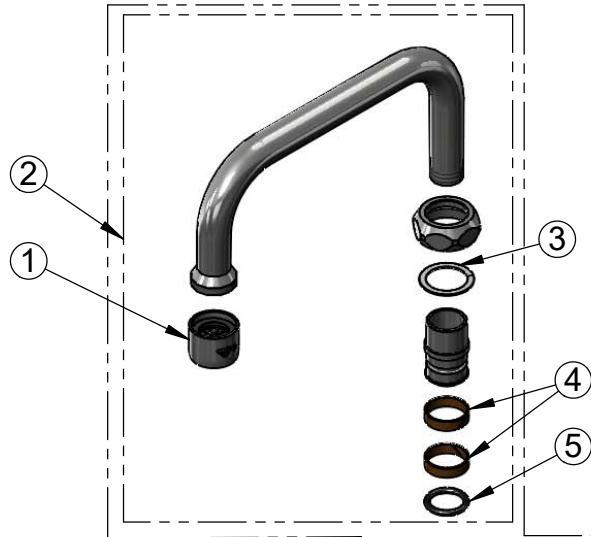
Model No.

**B-0260-CR-177F**

Item No.

Travelers Rest, SC: 800-476-4103 • Simi Valley, CA: 800-423-0150 • Fax: 864-834-3518 • www.tsbrass.com

ITEM NO.	SALES NO.	DESCRIPTION
1	B-PT	Stream Regulator Outlet
2	153X	6" Front Section
3	009538-45	Swivel Washer
4	011429-45	Swivel Sleeves (2)
5	001074-45	O-Ring
6	002871-40	12" Back Section
7	068X	18" Double Joint Swing Nozzle
8	014200-45	Star Washer, Anti-Rotation
9	012394-25NS	Quarter-Turn Cerama Cartridge w/ Check Valve, RTC
10	001638-45NS	Lever Handle (New Style)
11	000925-45	Lab Handle Screw
12	018506-19NS	Blue Button Index, Press-in
13	019641-25	Quarter-Turn Cerama Cartridge RTC w/ Check Valve, Handle, Blue Index & Screw



**Product Specifications:**

Single Hole Single Temperature Wall Mount Faucet, Quarter-Turn Cerama Cartridge w/ Check Valve, Lever Handle, 18" Double Joint Swing Nozzle w/ Stream Regulator Outlet & 1/2" NPT Female Inlet

**Product Compliance:**

ASME A112.18.1 / CSA B125.1  
NSF 61 - Section 9  
NSF 372 (Low Lead Content)  
ANSI A117.1 (ADA)