



T&S BRASS AND BRONZE WORKS, INC.

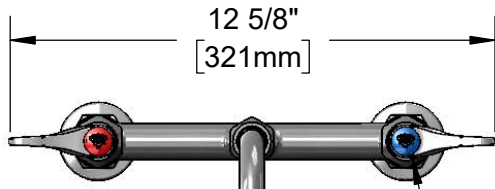
2 Saddleback Cove / P.O. Box 1088
Travelers Rest, SC 29690

Model No.

B-0245

Item No.

Travelers Rest, SC: 800-476-4103 • Simi Valley, CA: 800-423-0150 • Fax: 864-834-3518 • www.tsbrass.com



12 5/8"
[321mm]



ADA Compliant

Quarter-Turn
Eterna Cartridges w/
Spring Checks &
Lever Handles w/
Color Coded Indexes

068X
18" Double Joint Swing
Nozzle w/ Stream
Regulator Outlet.
Converts to Rigid w/
014200-45
Lock Washer (Included)

This Space for Architect/Engineer Approval

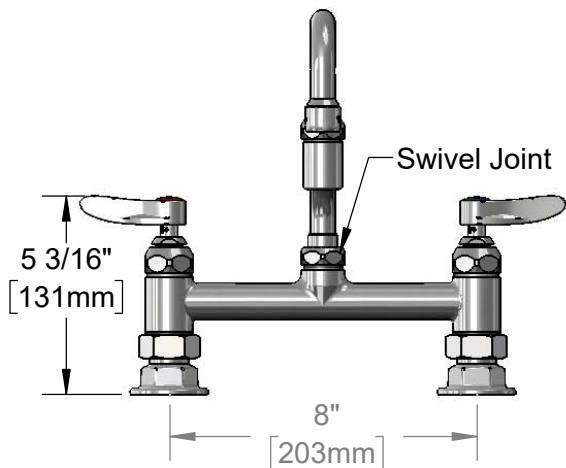
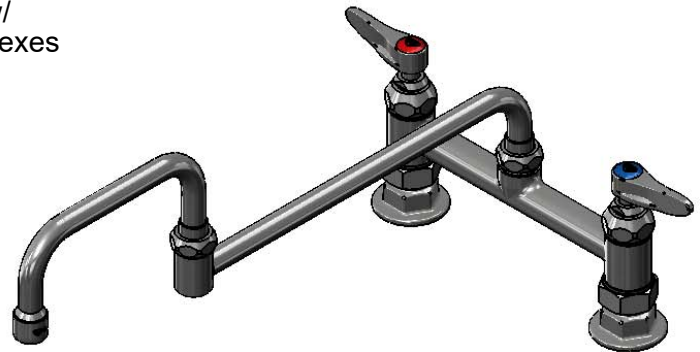
Job Name _____ Date _____

Model Specified _____ Quantity _____

Customer/Wholesaler _____

Contractor _____

Architect/Engineer _____

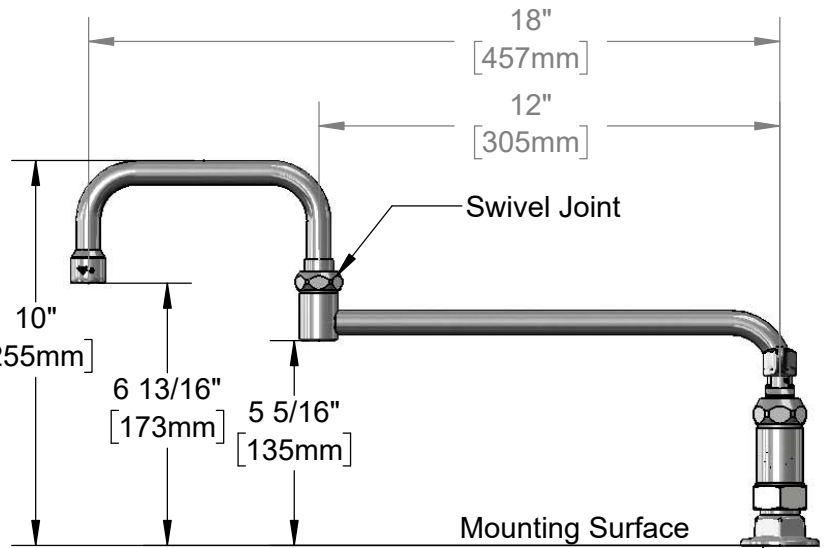


5 3/16"
[131mm]

Swivel Joint

8"
[203mm]

Adjustable From
7 3/4" to 8 1/4"
[197mm to 210mm]



18"
[457mm]

12"
[305mm]

Swivel Joint

10"
[255mm]

6 13/16"
[173mm]

5 5/16"
[135mm]

Mounting Surface

Ø 2" [51mm]
Flanges w/
1/2" NPT
Female Inlets

Product Specifications:

8" Deck Mount Mixing Faucet, Quarter-Turn Eterna Cartridges w/ Spring Checks, Lever Handles 18" Double Joint Swing Nozzle & 1/2" NPT Female Inlets

Product Compliance:

ASME A112.18.1 / CSA B125.1
NSF 61 - Section 9
NSF 372 (Low Lead Content)
ANSI A117.1 (ADA)



T&S BRASS AND BRONZE WORKS, INC.

2 Saddleback Cove / P.O. Box 1088
Travelers Rest, SC 29690

Model No.

B-0245

Item No.

Travelers Rest, SC: 800-476-4103 • Simi Valley, CA: 800-423-0150 • Fax: 864-834-3518 • www.tsbrass.com

ITEM NO.	SALES NO.	DESCRIPTION
1	068X	18" Double Joint Swing Nozzle w/ Stream Regulator Outlet
2	002871-40	18" Double Joint Swing Nozzle, 12" Back Section
3	B-PT	Full Flow Stream Regulator, 55/64-27
4	153X	18" Double Joint Swing Nozzle, 6" Front Section
5	009538-45	Swivel Washer
6	011429-45	Swivel Sleeves (2)
7	001074-45	O-Ring
8	014200-45	Star Washer, Anti-Rotation
9	018506-19NS	Blue Button Index, Press-in
10	000925-45	Lab Handle Screw
11	001638-45NS	Lever Handle (New Style)
12	012442-40NS	Quarter-Turn Eterna Cartridge w/ Spring Check, LTC
13	002711-40NS	Quarter-Turn Eterna Cartridge w/ Spring Check, Handle, Blue Index & Screw, LTC
14	001019-45	Coupling Nut Washer
15	00AA	1/2" NPT Female Eccentric Flange
16	012443-40NS	Quarter-Turn Eterna Cartridge w/ Spring Check, RTC
17	002712-40NS	Quarter-Turn Eterna Cartridge w/ Spring Check, Handle, Red Index & Screw, RTC
18	001193-19NS	Red Button Index, Press-in

Product Specifications:
8" Deck Mount Mixing Faucet, Quarter-Turn Eterna Cartridges w/ Spring Checks, Lever Handles 18" Double Joint Swing Nozzle & 1/2" NPT Female Inlets

Product Compliance:
ASME A112.18.1 / CSA B125.1
NSF 61 - Section 9
NSF 372 (Low Lead Content)
ANSI A117.1 (ADA)