



T&S BRASS AND BRONZE WORKS, INC.

2 Saddleback Cove / P.O. Box 1088
Travelers Rest, SC 29690

Model No.

B-0243

Item No.

Travelers Rest, SC: 800-476-4103 • Simi Valley, CA: 800-423-0150 • Fax: 864-834-3518 • www.tsbrass.com



ADA Compliant

This Space for Architect/Engineer Approval

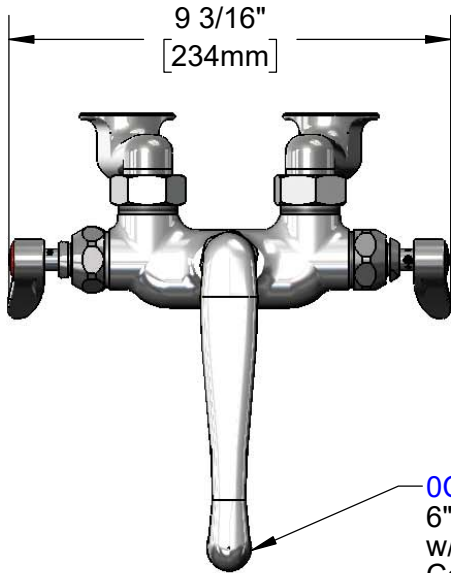
Job Name _____ Date _____

Model Specified _____ Quantity _____

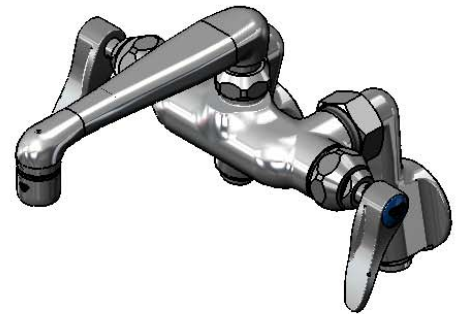
Customer/Wholesaler _____

Contractor _____

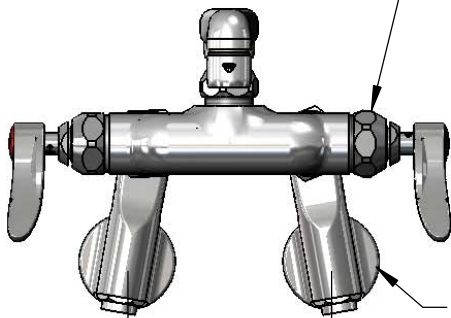
Architect/Engineer _____



OCS6
6" Swivel Cast Spout
w/ 2.2 GPM Aerator.
Converts to Rigid w/
014200-45 Lock Washer
(Included)

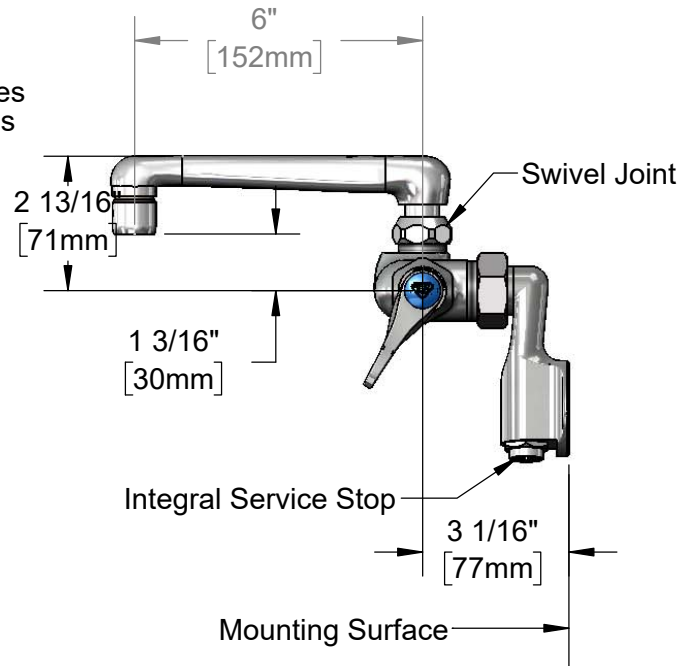


Quarter-Turn Eterna
Cartridges w/ Spring
Checks & Lever Handles
w/ Color Coded Indexes



Adjustable
2 1/4" to 8 1/4"
[57mm to 210mm]
Above or Below c/c

Ø 2" [51mm] Wall
Flanges w/ 1/2" NPT
Female Inlets



Product Specifications:

Wall Mount Mixing Faucet, Quarter Turn Eterna Cartridges w/ Spring Checks, Lever Handles, 6" Swivel Cast Spout w/ 2.2 GPM Aerator & 1/2" NPT Female Inlet Adjustable Arm Flanges w/ Integral Service Stops

Product Compliance:

ASME A112.18.1 / CSA B125.1
NSF 61 - Section 9
NSF 372 (Low Lead Content)
ANSI A117.1 (ADA)



T&S BRASS AND BRONZE WORKS, INC.

2 Saddleback Cove / P.O. Box 1088
Travelers Rest, SC 29690

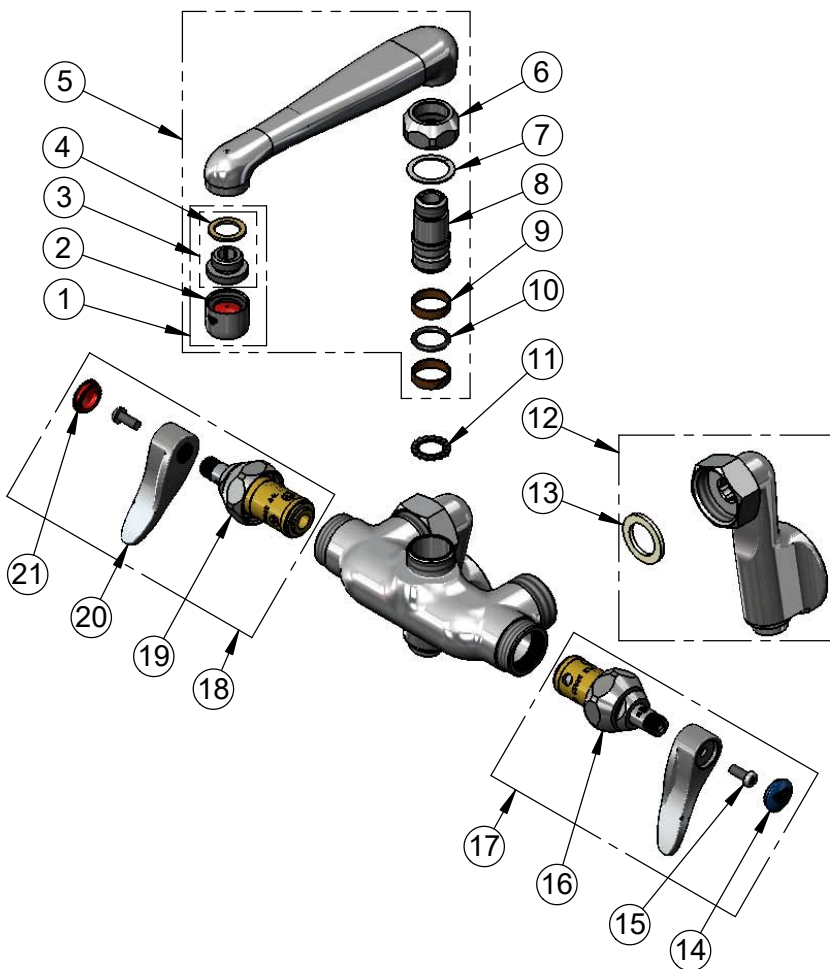
Model No.

B-0243

Item No.

Travelers Rest, SC: 800-476-4103 • Simi Valley, CA: 800-423-0150 • Fax: 864-834-3518 • www.tsbrass.com

ITEM NO.	SALES NO.	DESCRIPTION
1	B-0199-02	2.2 GPM Aerator, 3/8" NPSM Male
2	B-0199-01	2.2 GPM Aerator, 55/64"-27 UN Female
3	044A	3/8" to Aerator Adapter
4	001043-45	Washer
5	0CS6	6" Swivel Cast Spout w/ 2.2 GPM Aerator
6	000711-40	Swivel Adapter Nut
7	009538-45	Swivel Washer
8	000843-25	Swivel Body
9	011429-45	Swivel Sleeves (2)
10	001074-45	O-Ring
11	014200-45	Star Washer, Anti-Rotation
12	00XX	1/2" NPT Female Adjustable Arm Inlet w/ Screwdriver Stop
13	001019-45	Coupling Nut Washer
14	018506-19NS	Blue Button Index, Press-in
15	000925-45	Lab Handle Screw
16	012442-40NS	Quarter-Turn Eterna Cartridge w/ Spring Check, LTC
17	002711-40NS	Quarter-Turn Eterna Cartridge w/ Spring Check, Handle, Blue Index & Screw, LTC
18	002712-40NS	Quarter-Turn Eterna Cartridge w/ Spring Check, Handle, Red Index & Screw, RTC
19	012443-40NS	Quarter-Turn Eterna Cartridge w/ Spring Check, RTC
20	001638-45NS	Lever Handle (New Style)
21	001193-19NS	Red Button Index, Press-in



Product Specifications:

Wall Mount Mixing Faucet, Quarter Turn Eterna Cartridges w/ Spring Checks, Lever Handles, 6" Swivel Cast Spout w/ 2.2 GPM Aerator & 1/2" NPT Female Inlet Adjustable Arm Flanges w/ Integral Service Stops

Product Compliance:

ASME A112.18.1 / CSA B125.1
NSF 61 - Section 9
NSF 372 (Low Lead Content)
ANSI A117.1 (ADA)