

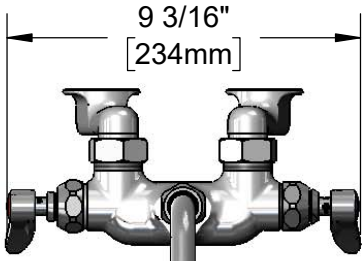


**T&S BRASS AND BRONZE WORKS, INC.**  
 2 Saddleback Cove / P.O. Box 1088  
 Travelers Rest, SC 29690

Model No.  
**B-0239**

Item No.

Travelers Rest, SC: 800-476-4103 • Simi Valley, CA: 800-423-0150 • Fax: 864-834-3518 • www.tsbrass.com



9 3/16"  
[234mm]



**ADA Compliant**

This Space for Architect/Engineer Approval

Job Name \_\_\_\_\_ Date \_\_\_\_\_

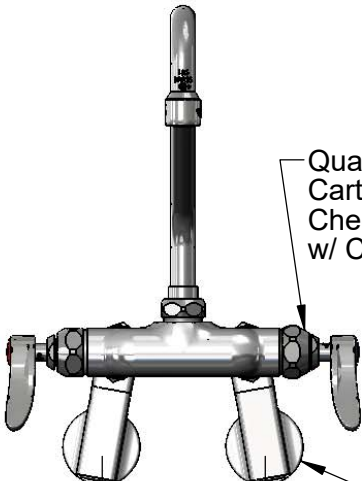
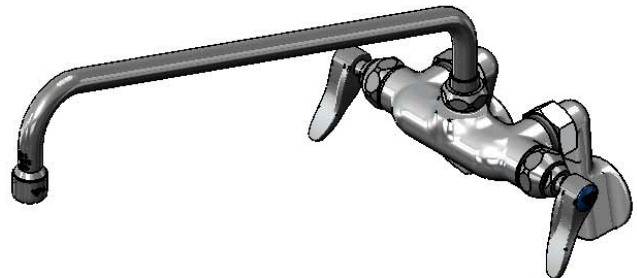
Model Specified \_\_\_\_\_ Quantity \_\_\_\_\_

Customer/Wholesaler \_\_\_\_\_

Contractor \_\_\_\_\_

Architect/Engineer \_\_\_\_\_

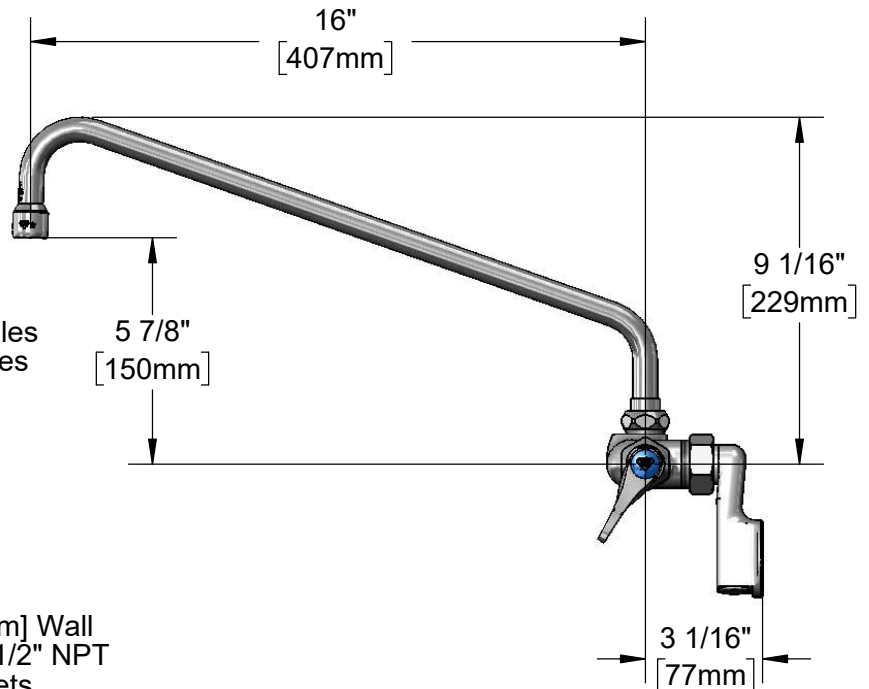
**064X**  
 16" Swing Nozzle w/  
 Stream Regulator Outlet.  
 Converts to Rigid w/  
**014200-45** Lock Washer  
 (Included)



Quarter-Turn Eterna  
 Cartridges w/ Spring  
 Checks & Lever Handles  
 w/ Color Coded Indexes

Adjustable  
 from  
 2 1/4" to 8 1/4"  
 [57mm to 210mm]  
 Above or Below Centerline

Ø 2" [51mm] Wall  
 Flange w/ 1/2" NPT  
 Female Inlets



**Product Specifications:**  
 Wall Mount Mixing Faucet, Quarter-Turn Eterna Cartridges w/ Spring Checks,  
 16" Swivel Nozzle w/ Stream Regulator Outlet, Lever Handles & 1/2" NPT  
 Female Adjustable Arm Inlets

**Product Compliance:**  
 ASME A112.18.1 / CSA B125.1  
 NSF 61 - Section 9  
 NSF 372 (Low Lead Content)  
 ANSI A117.1 (ADA)



# T&S BRASS AND BRONZE WORKS, INC.

2 Saddleback Cove / P.O. Box 1088  
Travelers Rest, SC 29690

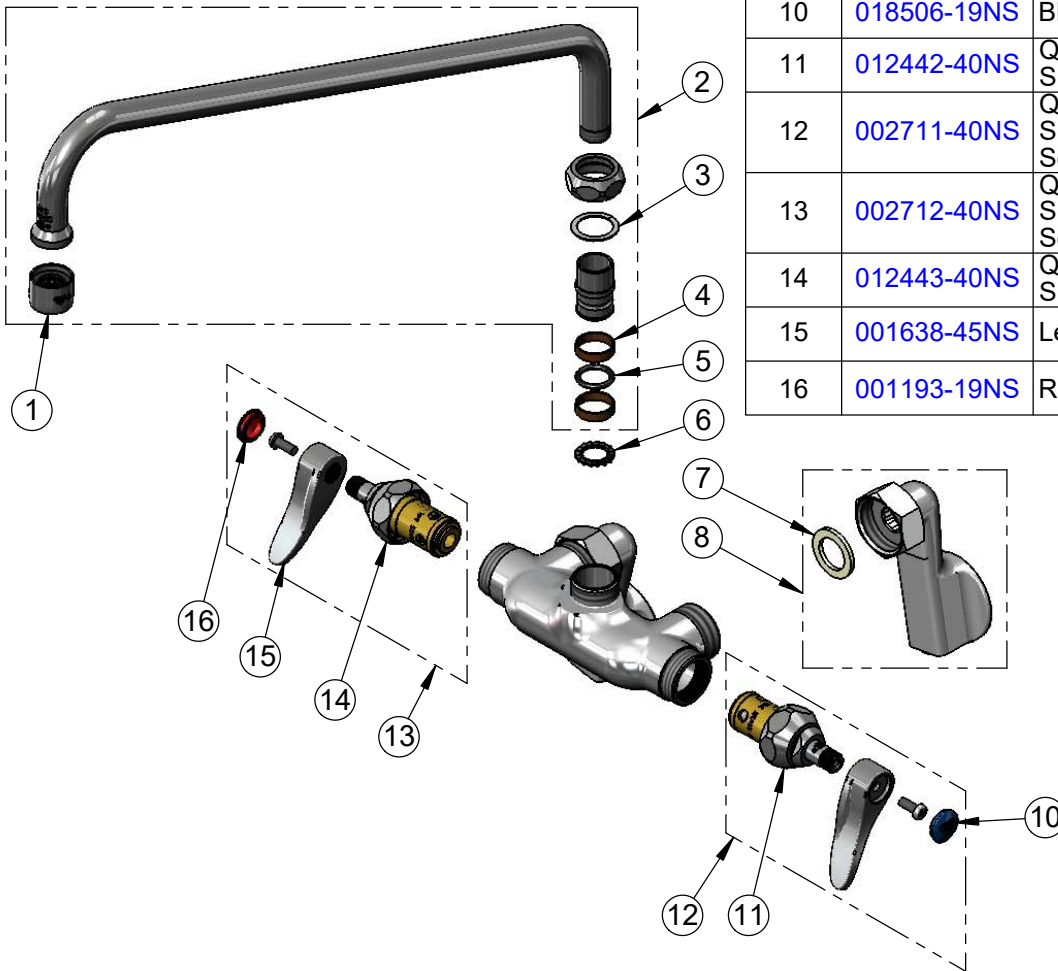
Model No.

**B-0239**

Item No.

Travelers Rest, SC: 800-476-4103 • Simi Valley, CA: 800-423-0150 • Fax: 864-834-3518 • www.tsbrass.com

ITEM NO.	SALES NO.	DESCRIPTION
1	B-PT	Full Flow Stream Regulator, 55/64-27
2	064X	16" Swing Nozzle w/ Stream Regulator
3	009538-45	Swivel Washer
4	011429-45	Swivel Sleeves (2)
5	001074-45	O-Ring
6	014200-45	Star Washer, Anti-Rotation
7	001019-45	Coupling Nut Washer
8	00GG	1/2" NPT Female Adjustable Arm Flange
9	000925-45	Lab Handle Screw
10	018506-19NS	Blue Button Index, Press-in
11	012442-40NS	Quarter-Turn Eterna Cartridge w/ Spring Check, LTC
12	002711-40NS	Quarter-Turn Eterna Cartridge w/ Spring Check, Handle, Blue Index & Screw, LTC
13	002712-40NS	Quarter-Turn Eterna Cartridge w/ Spring Check, Handle, Red Index & Screw, RTC
14	012443-40NS	Quarter-Turn Eterna Cartridge w/ Spring Check, RTC
15	001638-45NS	Lever Handle (New Style)
16	001193-19NS	Red Button Index, Press-in



**Product Specifications:**

Wall Mount Mixing Faucet, Quarter-Turn Eterna Cartridges w/ Spring Checks, 16" Swivel Nozzle w/ Stream Regulator Outlet, Lever Handles & 1/2" NPT Female Adjustable Arm Inlets

**Product Compliance:**

ASME A112.18.1 / CSA B125.1  
NSF 61 - Section 9  
NSF 372 (Low Lead Content)  
ANSI A117.1 (ADA)