



T&S BRASS AND BRONZE WORKS, INC.
 2 Saddleback Cove / P.O. Box 1088
 Travelers Rest, SC 29690

Model No.
B-0232-WH4

Item No.

Travelers Rest, SC: 800-476-4103 • Simi Valley, CA: 800-423-0150 • Fax: 864-834-3518 • www.tsbrass.com



ADA Compliant

This Space for Architect/Engineer Approval

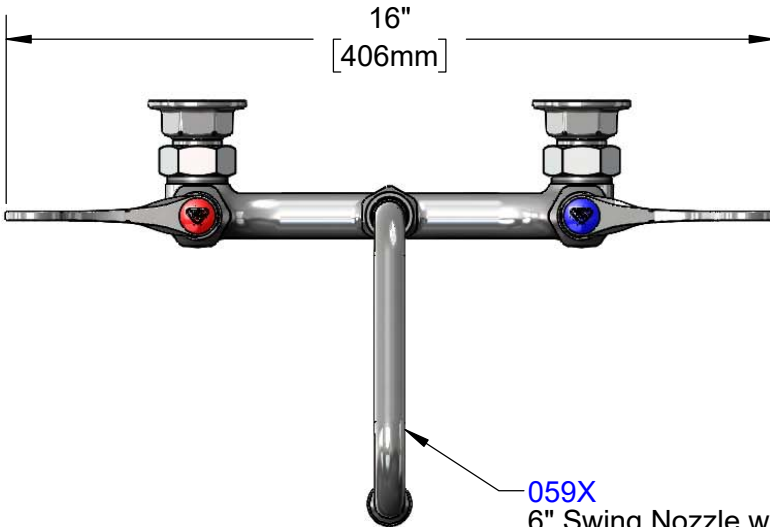
Job Name _____ Date _____

Model Specified _____ Quantity _____

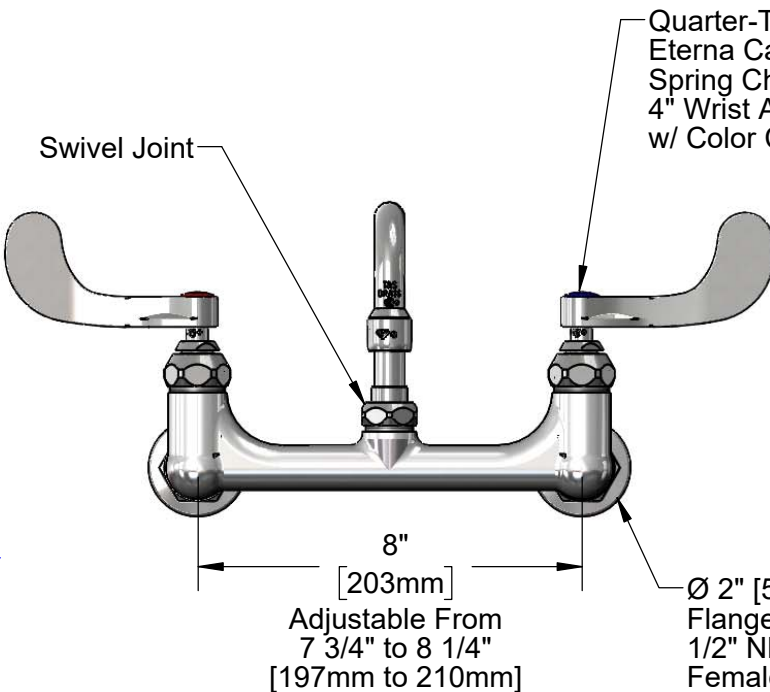
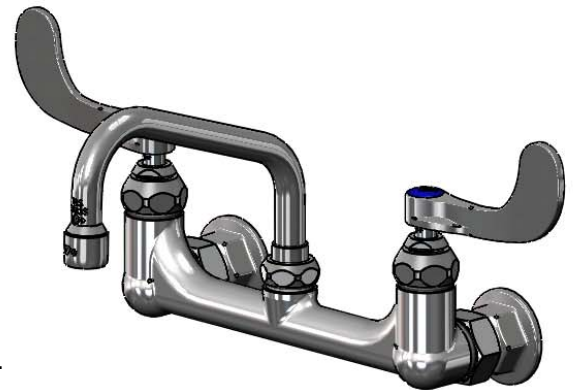
Customer/Wholesaler _____

Contractor _____

Architect/Engineer _____

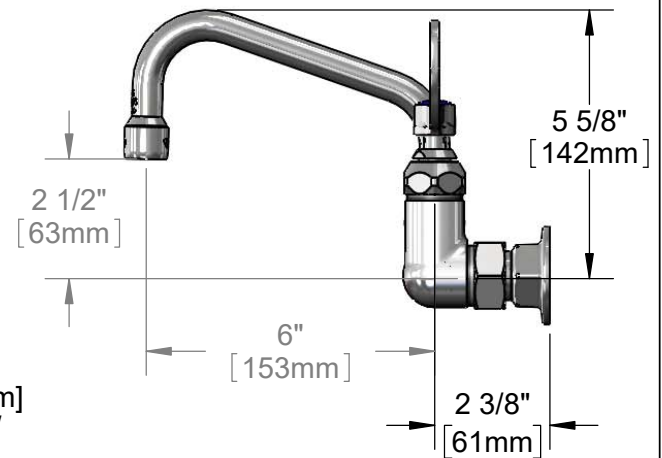


059X
 6" Swing Nozzle w/
 Stream Regulator Outlet.
 Converts to Rigid w/
014200-45 Lock Washer
 (Included).



Adjustable From
 7 3/4" to 8 1/4"
 [197mm to 210mm]

Ø 2" [51mm]
 Flanges w/
 1/2" NPT
 Female Inlets



Product Specifications:
 8" Wall Mount Mixing Faucet, Quarter-Turn Eterna Cartridges, 4" Wrist Action Handles, 6" Swing Nozzle & 1/2" NPT Female Inlets

Product Compliance:
 ASME A112.18.1 / CSA B125.1
 NSF 61 - Section 9
 NSF 372 (Low Lead Content)
 ANSI A117.1 (ADA)



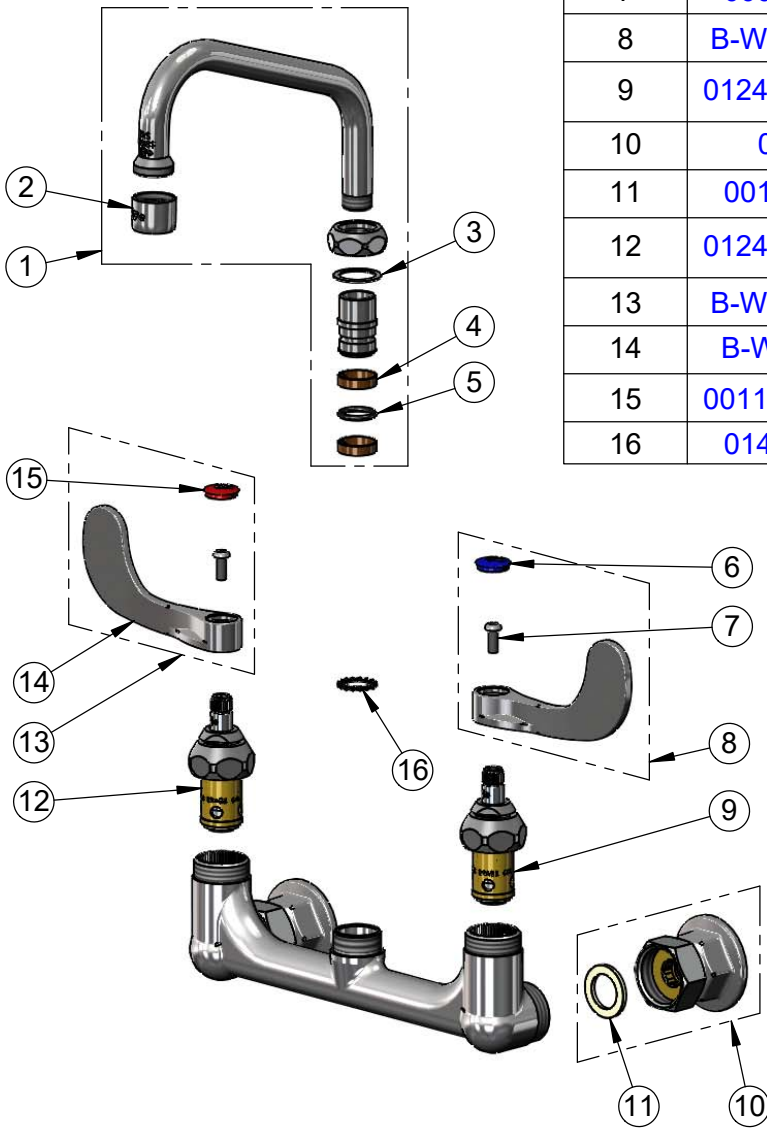
T&S BRASS AND BRONZE WORKS, INC.
 2 Saddleback Cove / P.O. Box 1088
 Travelers Rest, SC 29690

Model No.
B-0232-WH4

Item No.

Travelers Rest, SC: 800-476-4103 • Simi Valley, CA: 800-423-0150 • Fax: 864-834-3518 • www.tsbrass.com

ITEM NO.	SALES NO.	DESCRIPTION
1	059X	6" Swing Nozzle
2	B-PT	Full Flow Stream Regulator, 55/64-27
3	009538-45	Swivel Washer
4	011429-45	Swivel Sleeves (2)
5	001074-45	O-Ring
6	018506-19NS	Blue Button Index, Press-in
7	000925-45	Lab Handle Screw
8	B-WH4C-NS	Wrist Action Handle, Blue Index & Screw
9	012442-40NS	Quarter-Turn Eterna Cartridge w/ Spring Check, LTC
10	00AA	1/2" NPT Female Eccentric Flange
11	001019-45	Coupling Nut Washer
12	012443-40NS	Quarter-Turn Eterna Cartridge w/ Spring Check, RTC
13	B-WH4H-NS	Wrist Action Handle, Red Index & Screw
14	B-WH4-NS	Wrist Action Handle (New Style)
15	001193-19NS	Red Button Index, Press-in
16	014200-45	Star Washer, Anti-Rotation



Product Specifications:
 8" Wall Mount Mixing Faucet, Quarter-Turn Eterna Cartridges, 4" Wrist Action Handles, 6" Swing Nozzle & 1/2" NPT Female Inlets

Product Compliance:
 ASME A112.18.1 / CSA B125.1
 NSF 61 - Section 9
 NSF 372 (Low Lead Content)
 ANSI A117.1 (ADA)