



T&S BRASS AND BRONZE WORKS, INC.

2 Saddleback Cove / P.O. Box 1088
Travelers Rest, SC 29690

Model No.

B-0231-KIT

Item No.

Travelers Rest, SC: 800-476-4103 • Simi Valley, CA: 800-423-0150 • Fax: 864-834-3518 • www.tsbrass.com



ADA Compliant

This Space for Architect/Engineer Approval

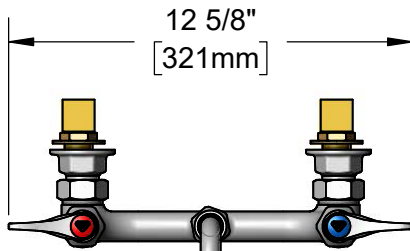
Job Name _____ Date _____

Model Specified _____ Quantity _____

Customer/Wholesaler _____

Contractor _____

Architect/Engineer _____

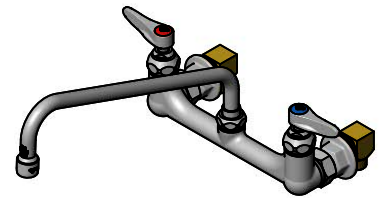


12 5/8"

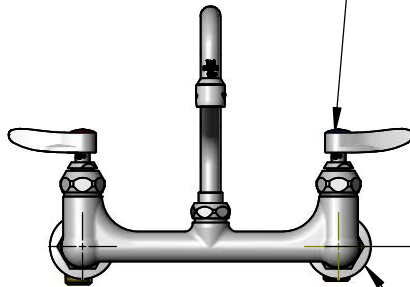
[321mm]

062X

12" Swing Nozzle w/
Stream Regulator Outlet
Converts to Rigid w/
014200-45
Lock Washer (Included).



Quarter-Turn
Eterna Cartridges
w/ Spring Checks
& Lever Handles w/
Color Coded Indexes



8"

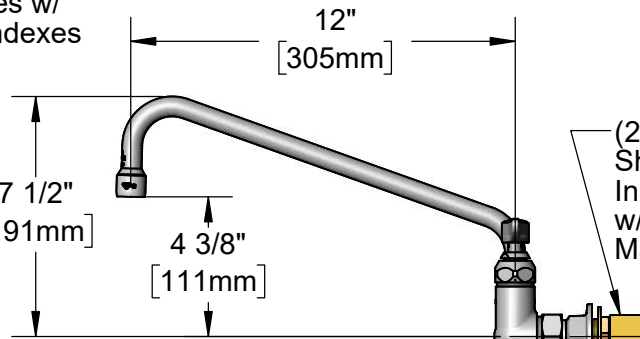
[203mm]

3 11/16"

[94mm]

Adjustable From
7 3/4" to 8 1/4"
[197mm to 210mm]

Ø2" [51mm]
Flanges w/
1/2" NPT
Female Inlets



12"

[305mm]

7 1/2"

[191mm]

4 3/8"

[111mm]

(2) B-0230-K
Short EI
Installation Kit
w/ 1/2" NPT
Male Inlets

2 3/8"

[61mm]

3/16"

[5mm]

Mounting Surface

Maximum
Thickness



B-0230-KIT

Short EI Installation Kit
w/ (2) Stainless Steel Flexible Hoses

Product Specifications:

8" Wall Mount Base Faucet, Quarter-Turn Eterna Cartridges w/ Spring Checks, 12" Swing Nozzle, Lever Handles & 1/2" NPT Eccentric Wall Flanges, Installation Kits & (2) 24" Stainless Steel Flexible Hoses

Product Compliance:

ASME A112.18.1 / CSA B125.1
NSF 61 - Section 9
NSF 372 (Low Lead Content)
ANSI A117.1 (ADA)

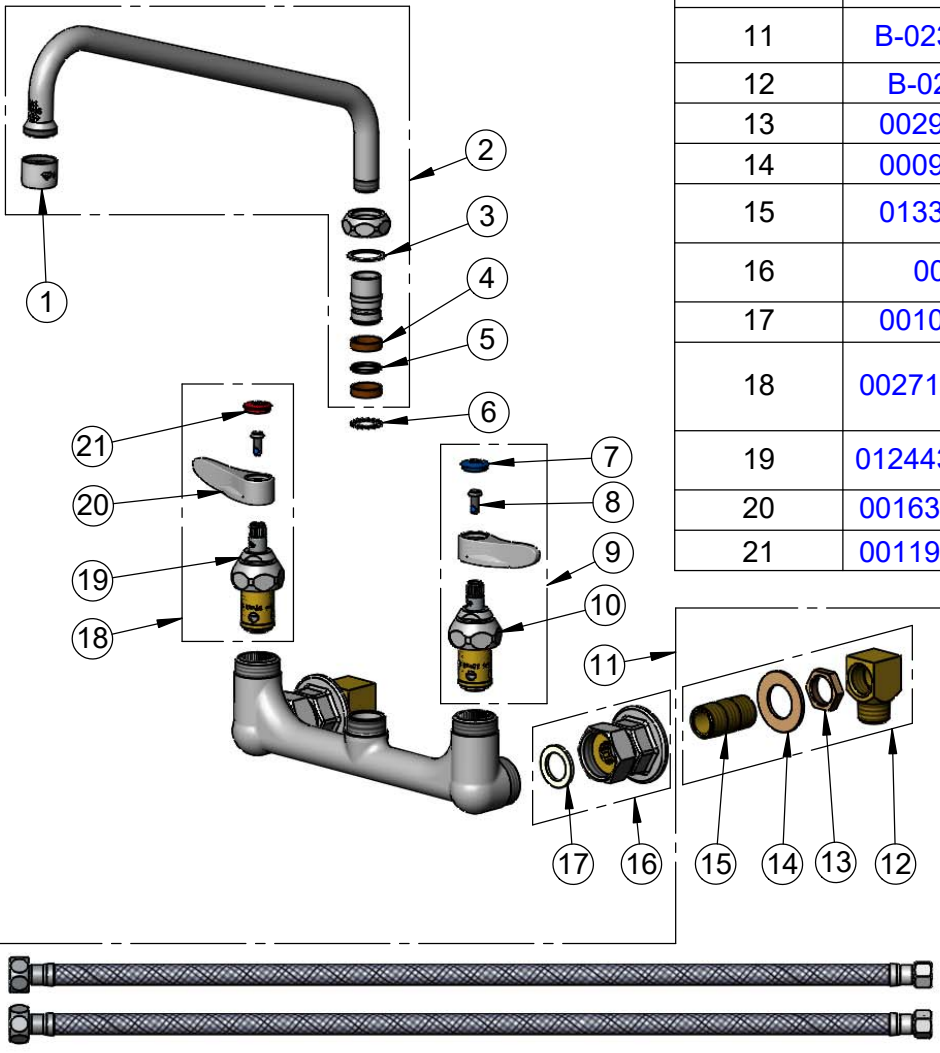


T&S BRASS AND BRONZE WORKS, INC.
 2 Saddleback Cove / P.O. Box 1088
 Travelers Rest, SC 29690

Model No.
B-0231-KIT
 Item No.

Travelers Rest, SC: 800-476-4103 • Simi Valley, CA: 800-423-0150 • Fax: 864-834-3518 • www.tsbrass.com

ITEM NO.	SALES NO.	DESCRIPTION
1	B-PT	Stream Regulator Outlet
2	062X	12" Swing Nozzle
3	009538-45	Swivel Washer
4	011429-45	Swivel Sleeves (2)
5	001074-45	O-Ring
6	014200-45	Star Washer, Anti-Rotation
7	018506-19NS	Blue Button Index, Press-in
8	000925-45	Lab Handle Screw
9	002711-40NS	Quarter-Turn Eterna Cartridge w/ Spring Check, Handle, Blue Index & Screw, LTC
10	012442-40NS	Quarter-Turn Eterna Cartridge w/ Spring Check, LTC
11	B-0230-KIT	Short EI Installation Kit w/ (2) Hoses
12	B-0230-K	Short EI Installation Kit
13	002954-45	Shank Lock Nut
14	000999-45	Brass Lock Washer
15	013357-20	1/2" NPT x 1-5/8" Close Nipple
16	00AA	1/2" NPT Female Eccentric Flange
17	001019-45	Coupling Nut Washer
18	002712-40NS	Quarter-Turn Eterna Cartridge w/ Spring Check, Handle, Red Index & Screw, RTC
19	012443-40NS	Quarter-Turn Eterna Cartridge w/ Spring Check, RTC
20	001638-45NS	Lever Handle (New Style)
21	001193-19NS	Red Button Index, Press-in



Product Specifications:

8" Wall Mount Base Faucet, Quarter-Turn Eterna Cartridges w/ Spring Checks, 12" Swing Nozzle, Lever Handles & 1/2" NPT Eccentric Wall Flanges, Installation Kits & (2) 24" Stainless Steel Flexible Hoses

Product Compliance:

ASME A112.18.1 / CSA B125.1
 NSF 61 - Section 9
 NSF 372 (Low Lead Content)
 ANSI A117.1 (ADA)