



**T&S BRASS AND BRONZE WORKS, INC.**  
 2 Saddleback Cove / P.O. Box 1088  
 Travelers Rest, SC 29690

Model No.  
**B-0231-02**

Item No.

Travelers Rest, SC: 800-476-4103 • Simi Valley, CA: 800-423-0150 • Fax: 864-834-3518 • www.tsbrass.com



**ADA Compliant**

This Space for Architect/Engineer Approval

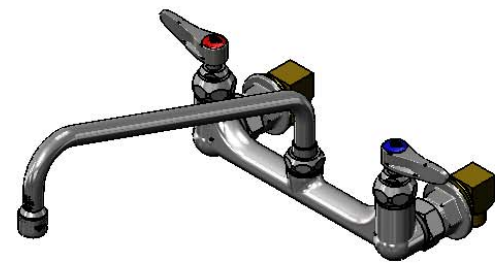
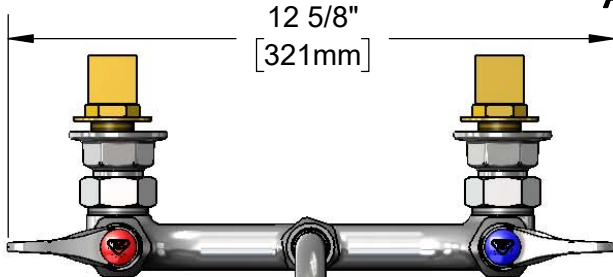
Job Name \_\_\_\_\_ Date \_\_\_\_\_

Model Specified \_\_\_\_\_ Quantity \_\_\_\_\_

Customer/Wholesaler \_\_\_\_\_

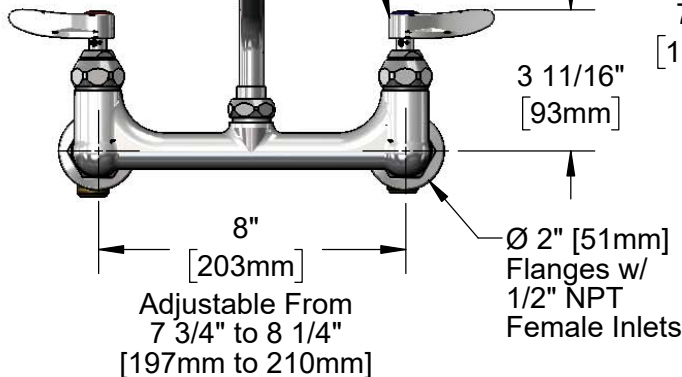
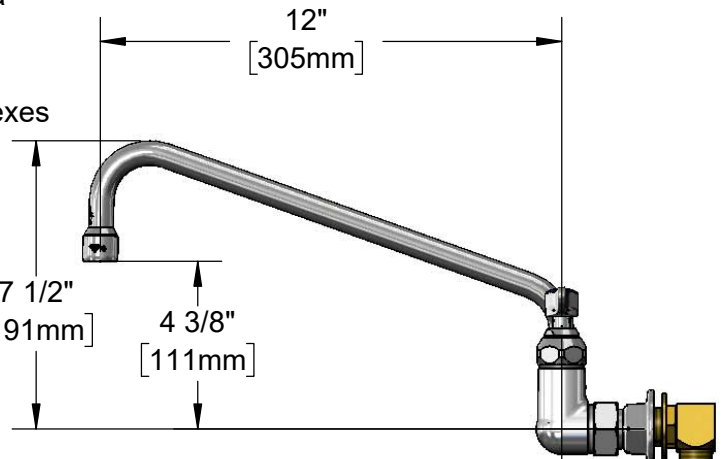
Contractor \_\_\_\_\_

Architect/Engineer \_\_\_\_\_



**062X**  
 12" Swing Nozzle w/  
 Stream Regulator Outlet  
 Converts to Rigid w/  
**014200-45**  
 Lock Washer (Included).

Quarter-Turn Eterna  
 Cartridges w/  
 Spring Checks &  
 Lever Handles w/  
 Colored Coded Indexes



2 3/8" [61mm]  
 Mounting Surface  
**B-0230-K** 1/2" NPT  
 Male Elbow  
 Installation Kit

Rough-In Requirement:  
 (2)  $\phi$  1" [25mm] Mounting Holes

Product Specifications:  
 8" Wall Mount Mixing Faucet w/ Quarter-Turn Eterna Cartridges w/ Spring Checks, Lever Handles, 12" Swing Nozzle & 1/2" NPT Female Inlets w/ 1/2" NPT Male Elbows

Product Compliance:  
 ASME A112.18.1 / CSA B125.1  
 NSF 61 - Section 9  
 NSF 372 (Low Lead Content)  
 ANSI A117.1 (ADA)



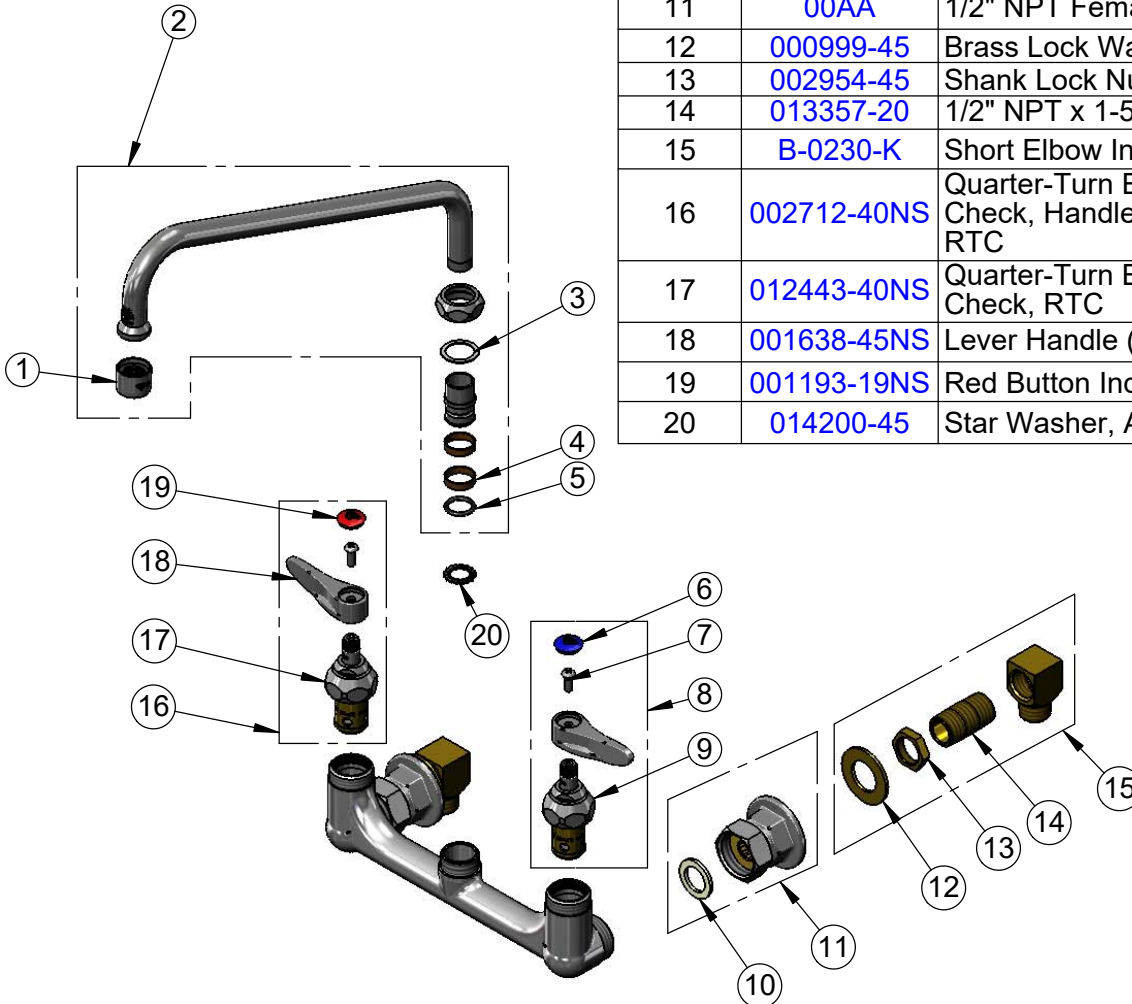
**T&S BRASS AND BRONZE WORKS, INC.**  
 2 Saddleback Cove / P.O. Box 1088  
 Travelers Rest, SC 29690

Model No.  
**B-0231-02**

Item No.

Travelers Rest, SC: 800-476-4103 • Simi Valley, CA: 800-423-0150 • Fax: 864-834-3518 • www.tsbrass.com

ITEM NO.	SALES NO.	DESCRIPTION
1	B-PT	Full Flow Stream Regulator, 55/64-27
2	062X	12" Swing Nozzle
3	009538-45	Swivel Washer
4	011429-45	Swivel Sleeves (2)
5	001074-45	O-Ring
6	018506-19NS	Blue Button Index, Press-in
7	000925-45	Lab Handle Screw
8	002711-40NS	Quarter-Turn Eterna Cartridge w/ Spring Check, Handle, Blue Index & Screw, LTC
9	012442-40NS	Quarter-Turn Eterna Cartridge w/ Spring Check, LTC
10	001019-45	Coupling Nut Washer
11	00AA	1/2" NPT Female Eccentric Flange
12	000999-45	Brass Lock Washer
13	002954-45	Shank Lock Nut
14	013357-20	1/2" NPT x 1-5/8" Lg. Close Nipple
15	B-0230-K	Short Elbow Installation Kit
16	002712-40NS	Quarter-Turn Eterna Cartridge w/ Spring Check, Handle, Red Index & Screw, RTC
17	012443-40NS	Quarter-Turn Eterna Cartridge w/ Spring Check, RTC
18	001638-45NS	Lever Handle (New Style)
19	001193-19NS	Red Button Index, Press-in
20	014200-45	Star Washer, Anti-Rotation



**Product Specifications:**  
 8" Wall Mount Mixing Faucet w/ Quarter-Turn Eterna Cartridges w/ Spring Checks, Lever Handles, 12" Swing Nozzle & 1/2" NPT Female Inlets w/ 1/2" NPT Male Elbows

**Product Compliance:**  
 ASME A112.18.1 / CSA B125.1  
 NSF 61 - Section 9  
 NSF 372 (Low Lead Content)  
 ANSI A117.1 (ADA)