



# T&S BRASS AND BRONZE WORKS, INC.

2 Saddleback Cove / P.O. Box 1088  
Travelers Rest, SC 29690

Model No.

**B-0230-U18-CR**

Item No.

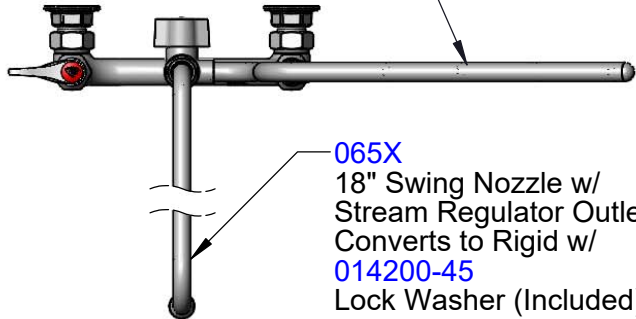
Travelers Rest, SC: 800-476-4103 • Simi Valley, CA: 800-423-0150 • Fax: 864-834-3518 • www.tsbrass.com



**ADA Compliant**

### U18-KIT

16" ULTRARINSE 1.5 GPM  
Multiple Tip Spray Arm



**065X**  
18" Swing Nozzle w/  
Stream Regulator Outlet  
Converts to Rigid w/  
**014200-45**  
Lock Washer (Included).

This Space for Architect/Engineer Approval

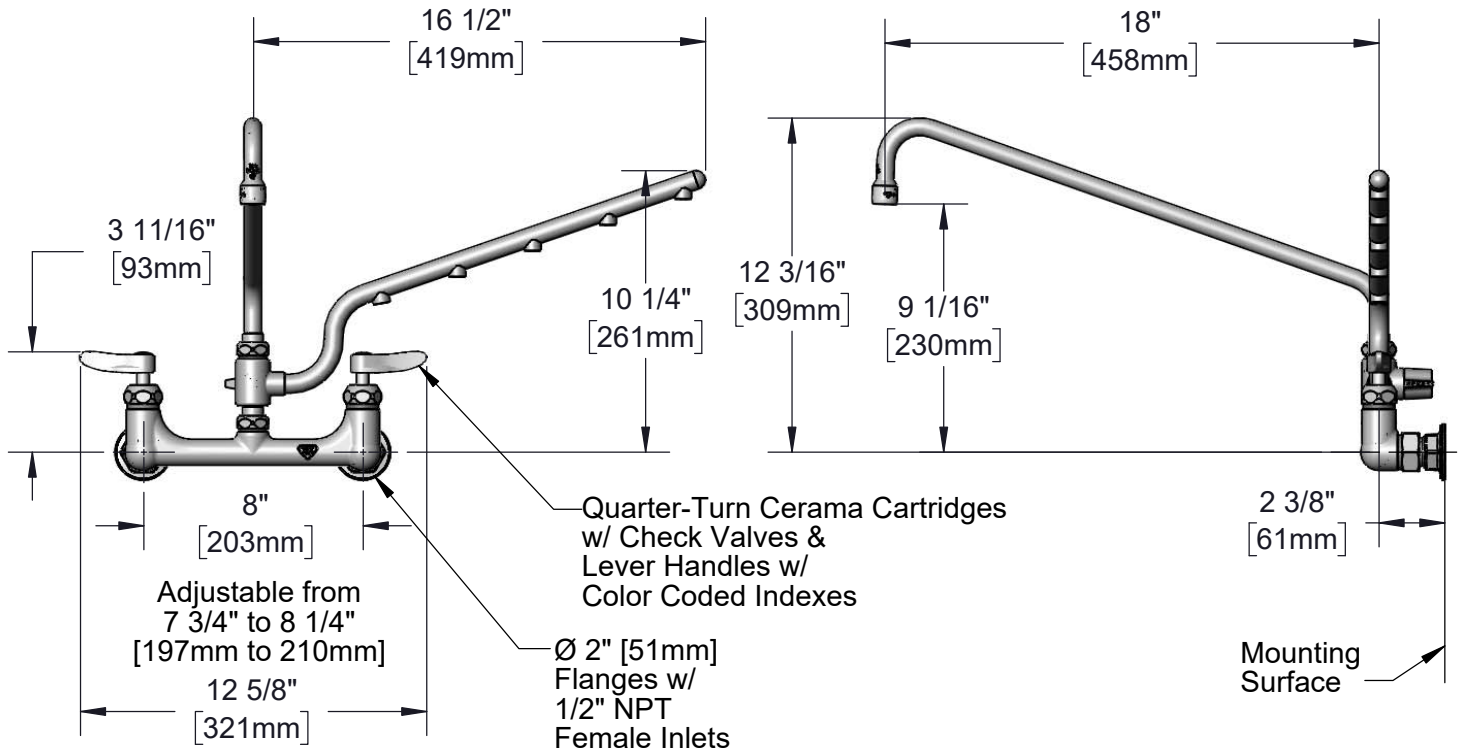
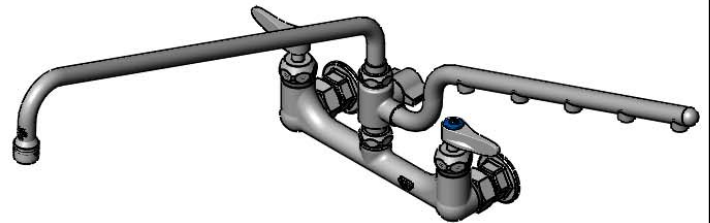
Job Name \_\_\_\_\_ Date \_\_\_\_\_

Model Specified \_\_\_\_\_ Quantity \_\_\_\_\_

Customer/Wholesaler \_\_\_\_\_

Contractor \_\_\_\_\_

Architect/Engineer \_\_\_\_\_



#### Product Specifications:

8" Wall Mount Mixing Faucet, Quarter-Turn Cerama Cartridges w/ Check Valves, Lever Handles, 18" Swivel Nozzle, 1.5 GPM 16" ULTRARINSE Multiple Tip Spray Arm, Stream Regulator Outlet & 1/2" NPT Female Inlets

#### Product Compliance:

ASME A112.18.1 / CSA B125.1  
NSF 61 - Section 9  
NSF 372 (Low Lead Content)  
ANSI A117.1 (ADA)



# T&S BRASS AND BRONZE WORKS, INC.

2 Saddleback Cove / P.O. Box 1088  
Travelers Rest, SC 29690

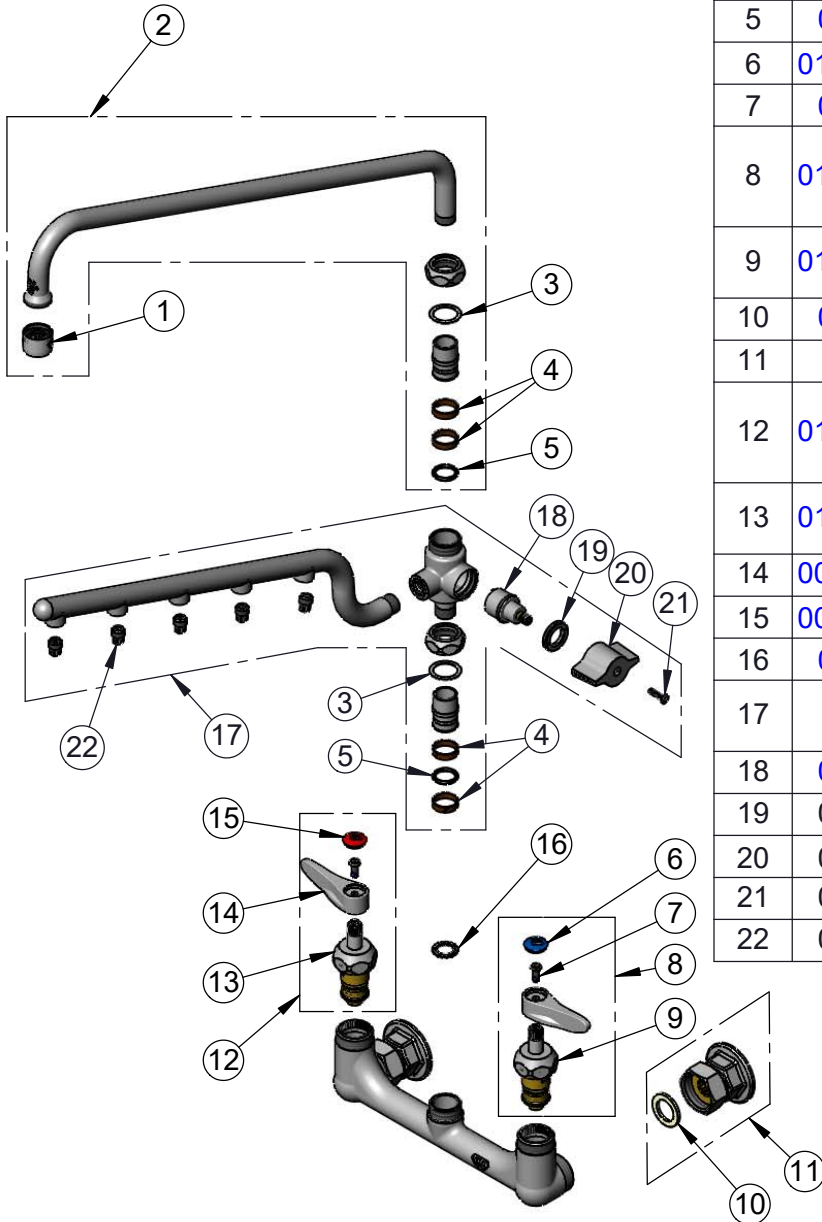
Model No.

**B-0230-U18-CR**

Item No.

Travelers Rest, SC: 800-476-4103 • Simi Valley, CA: 800-423-0150 • Fax: 864-834-3518 • www.tsbrass.com

ITEM NO.	SALES NO.	DESCRIPTION
1	B-PT	Full Flow Stream Regulator, 55/64-27
2	065X	18" Swing Nozzle
3	009538-45	Swivel Washer
4	011429-45	Swivel Sleeves (2)
5	001074-45	O-Ring
6	018506-19NS	Blue Button Index, Press-in
7	000925-45	Lab Handle Screw
8	012447-25NS	Quarter-Turn Cerama Cartridge w/ Check Valve, Handle, Blue Index & Screw, LTC
9	012395-25NS	Quarter-Turn Cerama Cartridge w/ Check Valve, LTC
10	001019-45	Coupling Nut Washer
11	00AA	1/2" NPT Female Eccentric Flange
12	012446-25NS	Quarter-Turn Cerama Cartridge w/ Check Valve, Handle, Red Index & Screw, RTC
13	012394-25NS	Quarter-Turn Cerama Cartridge w/ Check Valve, RTC
14	001638-45NS	Lever Handle (New Style)
15	001193-19NS	Red Button Index, Press-in
16	014200-45	Star Washer, Anti-Rotation
17	U18-KIT	1.5 GPM 16" ULTRARINSE Multiple Tip Spray Arm
18	020641-45	ULTRARINSE Diverter Cartridge
19	020645-45	Diverter Cartridge Nut
20	020642-45	ULTRARINSE Diverter Handle
21	020669-45	M4 Screw, 17mm Long
22	020666-25	0.3 GPM Spray Tip



**Product Specifications:**

8" Wall Mount Mixing Faucet, Quarter-Turn Cerama Cartridges w/ Check Valves, Lever Handles, 18" Swivel Nozzle, 1.5 GPM 16" ULTRARINSE Multiple Tip Spray Arm, Stream Regulator Outlet & 1/2" NPT Female Inlets

**Product Compliance:**

ASME A112.18.1 / CSA B125.1  
NSF 61 - Section 9  
NSF 372 (Low Lead Content)  
ANSI A117.1 (ADA)