



T&S BRASS AND BRONZE WORKS, INC.

2 Saddleback Cove / P.O. Box 1088
Travelers Rest, SC 29690

Model No.

B-0221-U12-CR

Item No.

Travelers Rest, SC: 800-476-4103 • Simi Valley, CA: 800-423-0150 • Fax: 864-834-3518 • www.tsbrass.com



ADA Compliant

This Space for Architect/Engineer Approval

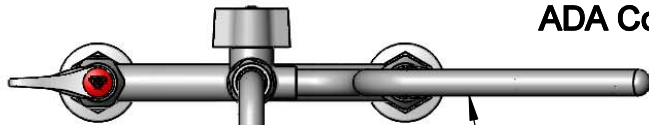
Job Name _____ Date _____

Model Specified _____ Quantity _____

Customer/Wholesaler _____

Contractor _____

Architect/Engineer _____

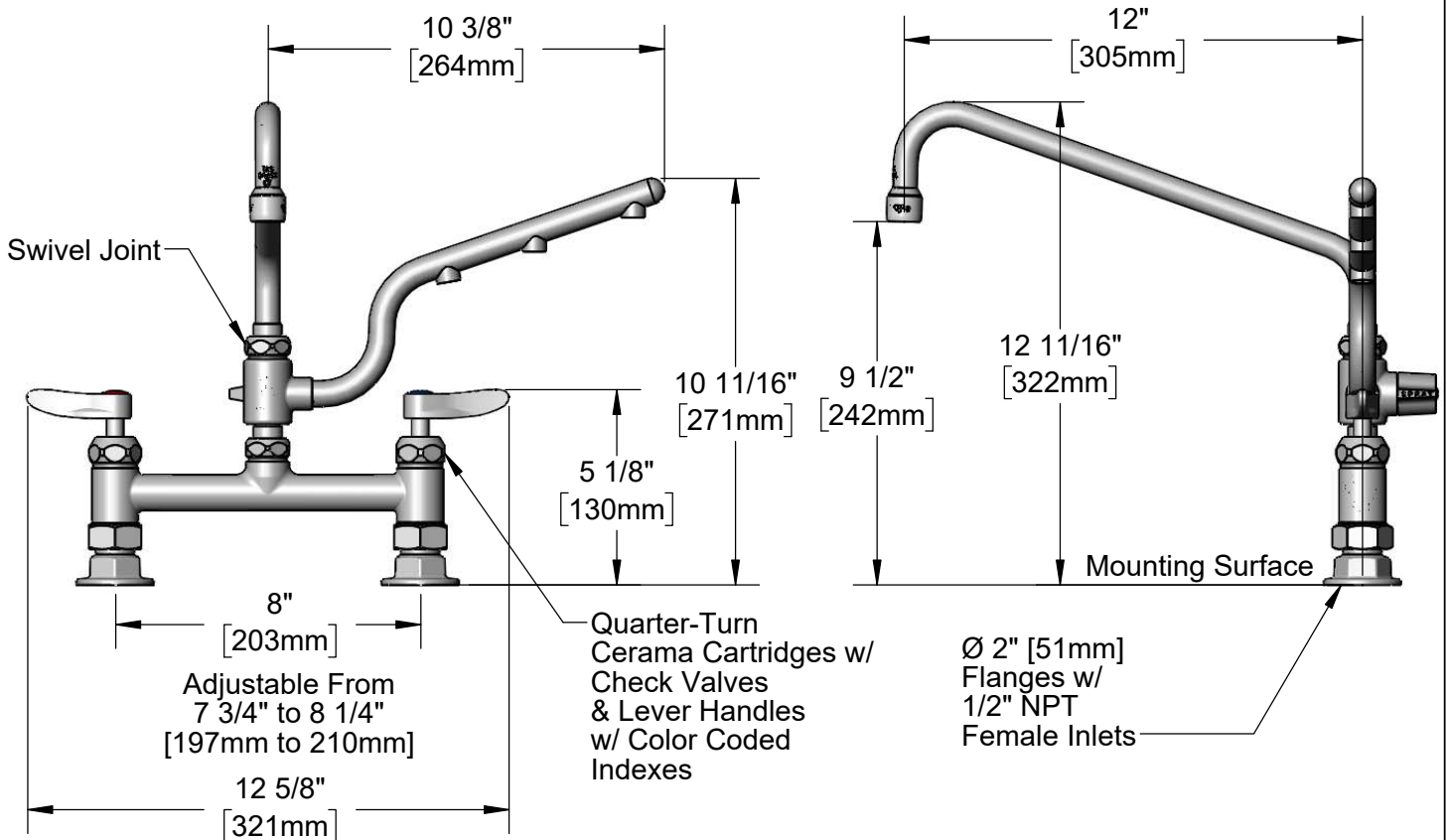
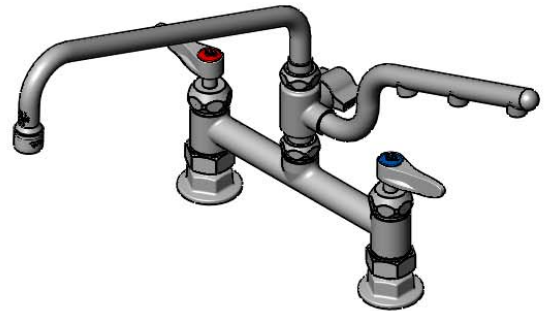


U12-KIT

10" ULTRARINSE 1.5 GPM
Multiple Tip Spray Arm

062X

12" Swing Nozzle w/
Stream Regulator Outlet.
Rigid Conversion Requires
014200-45 Lock Washer
(Included)



Product Specifications:

8" Deck Mount Mixing Faucet, Quarter-Turn Cerama Cartridges w/ Check Valves, Lever Handles, 12" Swing Nozzle w/ Stream Regulator Outlet, 1.5 GPM 10" ULTRARINSE Multiple Tip Spray Arm & 1/2" NPT Female Inlets

Product Compliance:

ASME A112.18.1 / CSA B125.1
NSF 61 - Section 9
NSF 372 (Low Lead Content)
ANSI A117.1 (ADA)



T&S BRASS AND BRONZE WORKS, INC.

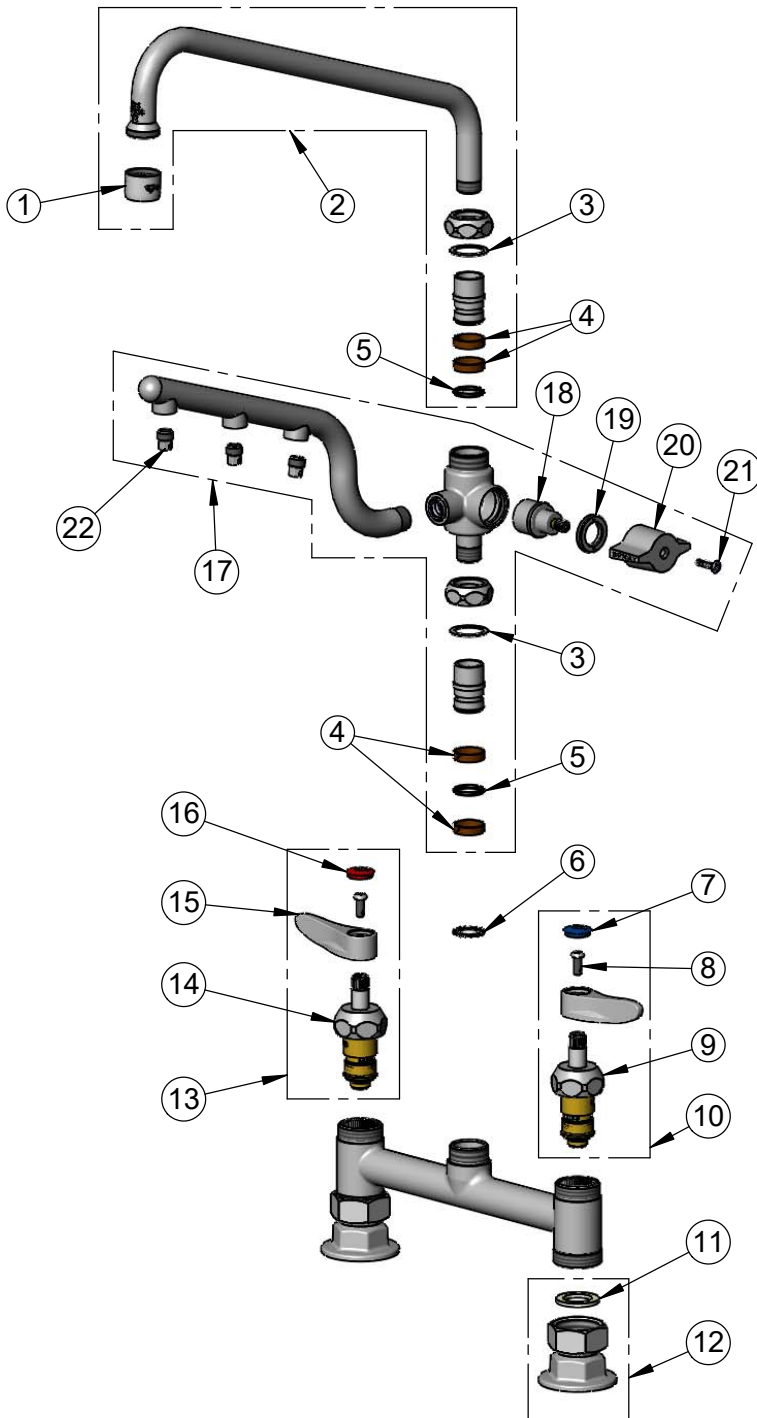
2 Saddleback Cove / P.O. Box 1088
Travelers Rest, SC 29690

Model No.

B-0221-U12-CR

Item No.

Travelers Rest, SC: 800-476-4103 • Simi Valley, CA: 800-423-0150 • Fax: 864-834-3518 • www.tsbrass.com



ITEM NO.	SALES NO.	DESCRIPTION
1	B-PT	Stream Regulator Outlet
2	062X	12" Swing Nozzle
3	009538-45	Swivel Washer
4	011429-45	Swivel Sleeves (2)
5	001074-45	O-Ring
6	014200-45	Star Washer, Anti-Rotation
7	018506-19NS	Blue Button Index, Press-in
8	000925-45	Lab Handle Screw
9	012395-25NS	Quarter-Turn Cerama Cartridge w/ Check Valve, LTC
10	012447-25NS	Quarter-Turn Cerama Cartridge w/ Check Valve, Handle, Blue Index & Screw, LTC
11	001019-45	Coupling Nut Washer
12	00AA	1/2" NPT Female Eccentric Flange
13	012446-25NS	Quarter-Turn Cerama Cartridge w/ Check Valve, Handle, Red Index & Screw, RTC
14	012394-25NS	Quarter-Turn Cerama Cartridge w/ Check Valve, RTC
15	001638-45NS	Lever Handle (New Style)
16	001193-19NS	Red Button Index, Press-in
17	U12-KIT	10" ULTRARINSE 1.5 GPM Sprayer Arm
18	020641-45	ULTRARINSE Diverter Cartridge
19	020645-45	Diverter Cartridge Nut
20	020642-45	ULTRARINSE Diverter Handle
21	020669-45	M4 Screw, 17mm Long
22	020667-25	0.5 GPM Spray Tip

Product Specifications:

8" Deck Mount Mixing Faucet, Quarter-Turn Cerama Cartridges w/ Check Valves, Lever Handles, 12" Swing Nozzle w/ Stream Regulator Outlet, 1.5 GPM 10" ULTRARINSE Multiple Tip Spray Arm & 1/2" NPT Female Inlets

Product Compliance:

ASME A112.18.1 / CSA B125.1
NSF 61 - Section 9
NSF 372 (Low Lead Content)
ANSI A117.1 (ADA)