



# T&S BRASS AND BRONZE WORKS, INC.

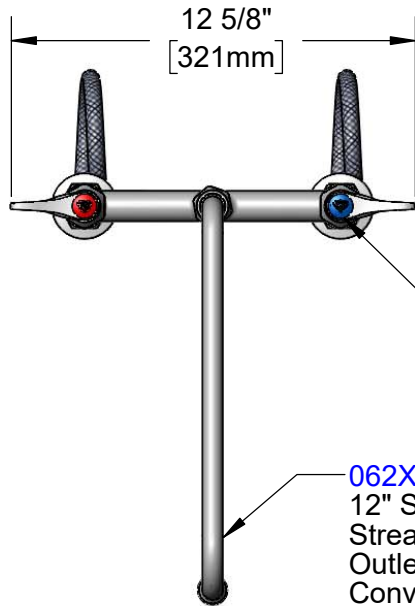
2 Saddleback Cove / P.O. Box 1088  
Travelers Rest, SC 29690

Model No.

**B-0221-KIT**

Item No.

Travelers Rest, SC: 800-476-4103 • Simi Valley, CA: 800-423-0150 • Fax: 864-834-3518 • www.tsbrass.com



**ADA Compliant**

Quarter-Turn Eterna Cartridges w/ Spring Checks & Lever Handles w/ Color Coded Indexes

062X  
12" Swing Nozzle w/ Stream Regulator Outlet.  
Converts to Rigid w/ 014200-45 Lock Washer (Included)

This Space for Architect/Engineer Approval

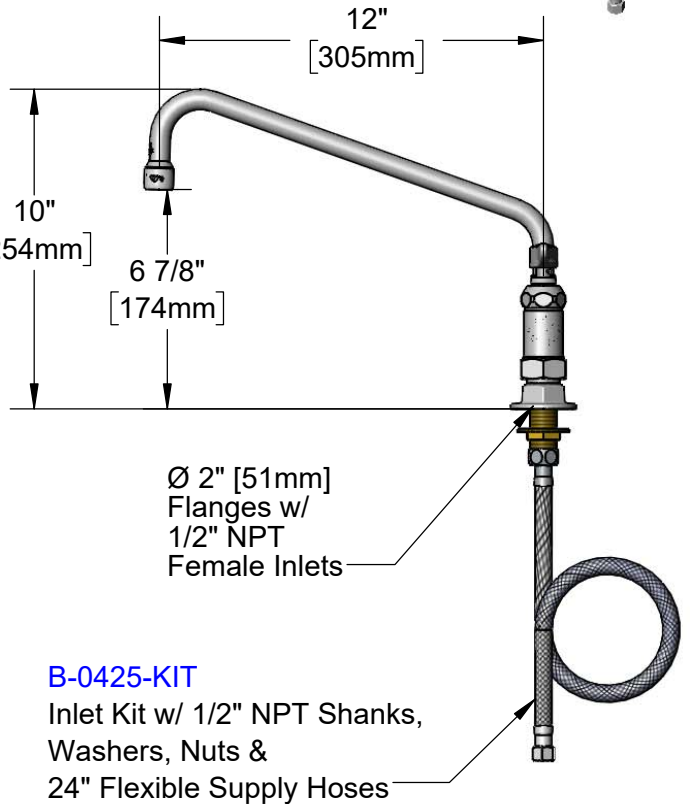
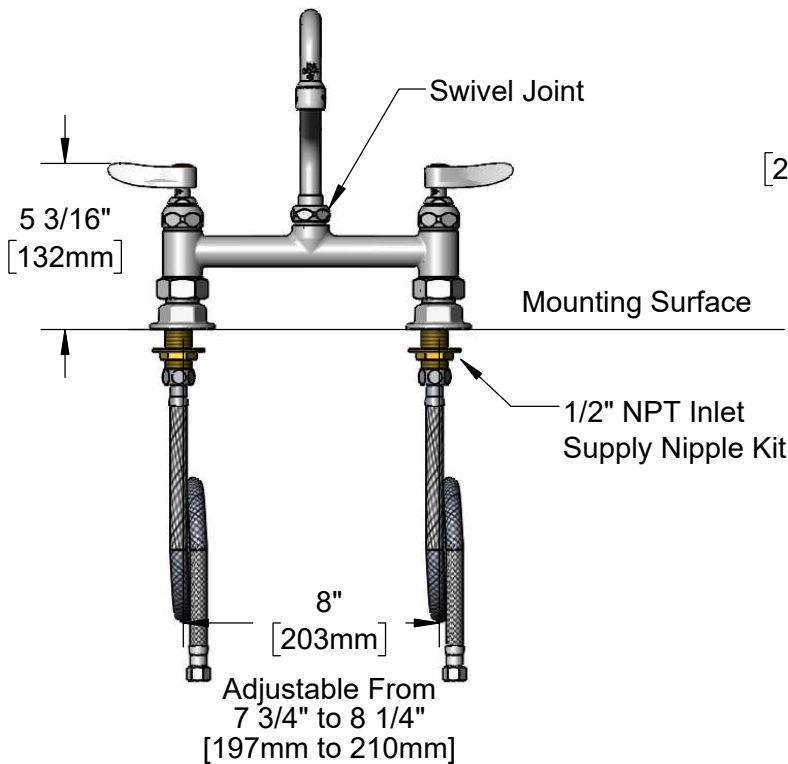
Job Name \_\_\_\_\_ Date \_\_\_\_\_

Model Specified \_\_\_\_\_ Quantity \_\_\_\_\_

Customer/Wholesaler \_\_\_\_\_

Contractor \_\_\_\_\_

Architect/Engineer \_\_\_\_\_



**B-0425-KIT**

Inlet Kit w/ 1/2" NPT Shanks, Washers, Nuts & 24" Flexible Supply Hoses

**Product Specifications:**

8" Deck Mount Mixing Faucet, Quarter-Turn Eterna Cartridges w/ Spring Checks, Lever Handles, Inlet Kit w/ 1/2" NPT Shanks, Washers, Nuts & 24" Flexible Supply Hoses, 12" Swing Nozzle w/ Stream Regulator Outlet & 1/2" NPT Female Inlets

**Product Compliance:**

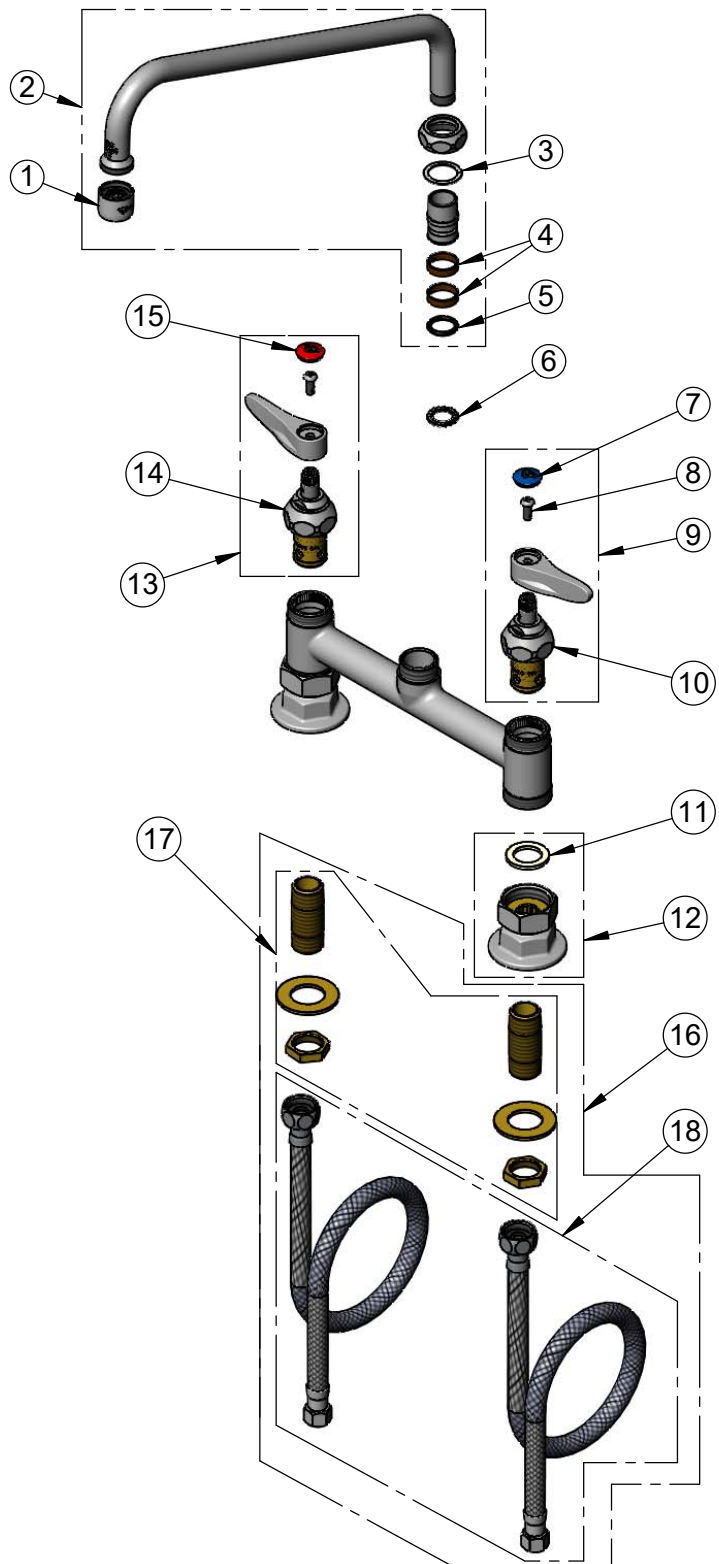
ASME A112.18.1 / CSA B125.1  
NSF 61 - Section 9  
NSF 372 (Low Lead Content)  
ANSI A117.1 (ADA)



**T&S BRASS AND BRONZE WORKS, INC.**  
 2 Saddleback Cove / P.O. Box 1088  
 Travelers Rest, SC 29690

Model No.  
**B-0221-KIT**  
 Item No.

Travelers Rest, SC: 800-476-4103 • Simi Valley, CA: 800-423-0150 • Fax: 864-834-3518 • www.tsbrass.com



ITEM NO.	SALES NO.	DESCRIPTION
1	B-PT	Full Flow Stream Regulator, 55/64-27
2	062X	12" Swing Nozzle
3	009538-45	Swivel Washer
4	011429-45	Swivel Sleeves (2)
5	001074-45	O-Ring
6	014200-45	Star Washer, Anti-Rotation
7	018506-19NS	Blue Button Index, Press-in
8	000925-45	Lab Handle Screw
9	002711-40NS	Quarter-Turn Eterna Cartridge w/ Spring Check, Handle, Blue Index & Screw, LTC
10	012442-40NS	Quarter-Turn Eterna Cartridge w/ Spring Check, LTC
11	001019-45	Coupling Nut Washer
12	00AA	1/2" NPT Female Eccentric Flange
13	002712-40NS	Quarter-Turn Eterna Cartridge w/ Spring Check, Handle, Red Index & Screw, RTC
14	012443-40NS	Quarter-Turn Eterna Cartridge w/ Spring Check, RTC
15	001193-19NS	Red Button Index, Press-in
16	B-0425-KIT	1/2" NPT x 2" Supply Nipple
17	B-0425	Shank Lock Nut
18	B-1100-KIT	T24" Flexible Supply Hoses

**Product Specifications:**  
 8" Deck Mount Mixing Faucet, Quarter-Turn Eterna Cartridges w/ Spring Checks, Lever Handles, Inlet Kit w/ 1/2" NPT Shanks, Washers, Nuts & 24" Flexible Supply Hoses, 12" Swing Nozzle w/ Stream Regulator Outlet & 1/2" NPT Female Inlets

**Product Compliance:**  
 ASME A112.18.1 / CSA B125.1  
 NSF 61 - Section 9  
 NSF 372 (Low Lead Content)  
 ANSI A117.1 (ADA)