



T&S BRASS AND BRONZE WORKS, INC.
 2 Saddleback Cove / P.O. Box 1088
 Travelers Rest, SC 29690

Model No.
B-0220-LN

Item No.

Travelers Rest, SC: 800-476-4103 • Simi Valley, CA: 800-423-0150 • Fax: 864-834-3518 • www.tsbrass.com

This Space for Architect/Engineer Approval

Job Name _____ Date _____

Model Specified _____ Quantity _____

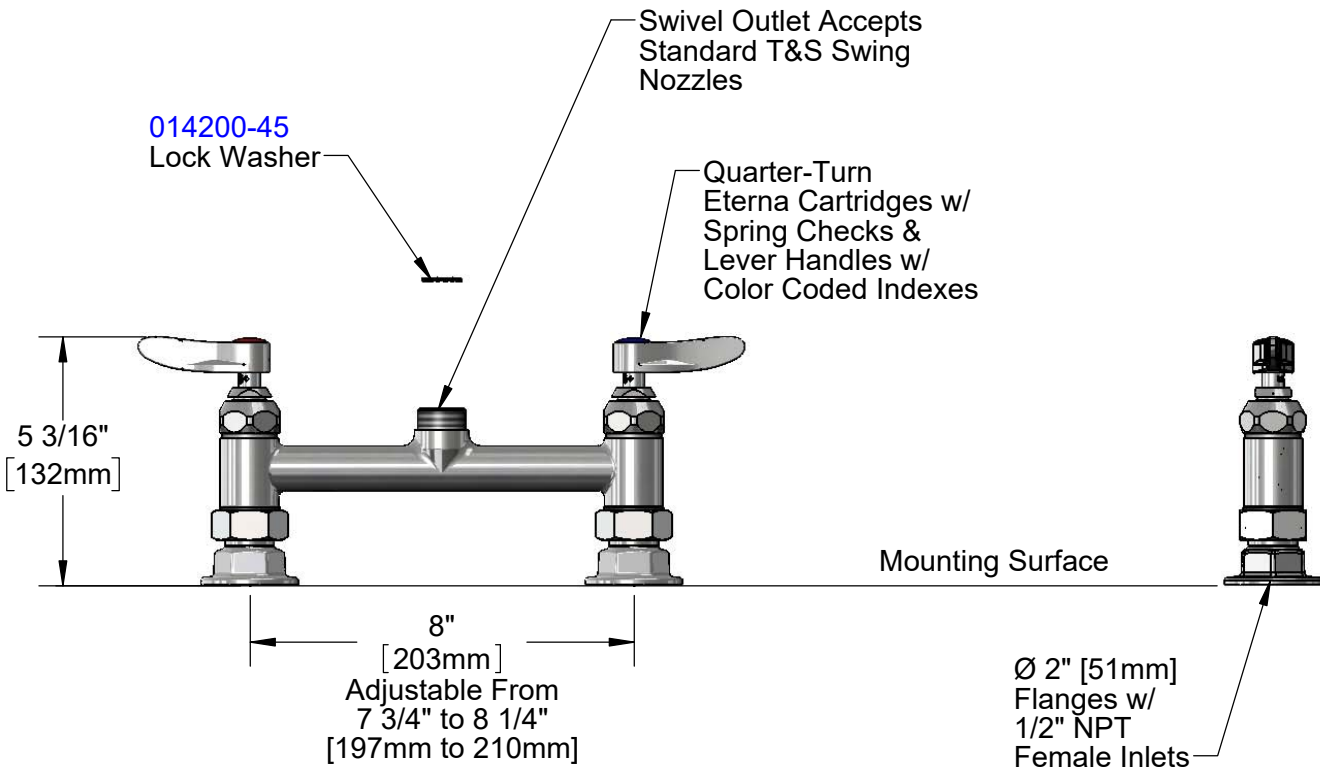
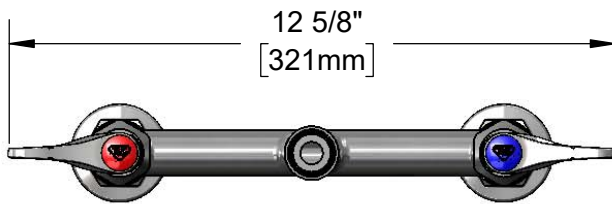
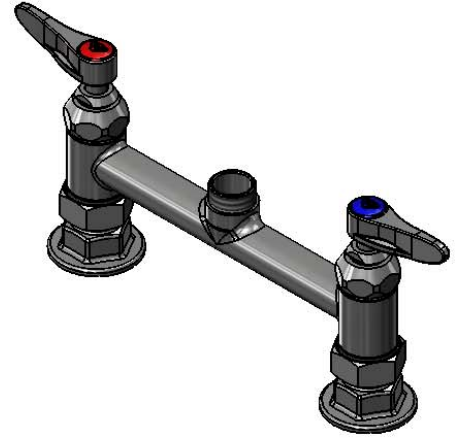
Customer/Wholesaler _____

Contractor _____

Architect/Engineer _____



ADA Compliant



Product Specifications:
**8" Deck Mount Mixing Faucet, Quarter-Turn Eterna Cartridges
 w/ Spring Checks, Lever Handles & 1/2" NPT Female Inlets,
 Less Nozzle**

Product Compliance:
 ASME A112.18.1 / CSA B125.1
 NSF 61 - Section 9
 NSF 372 (Low Lead Content)
 ANSI A117.1 (ADA)



T&S BRASS AND BRONZE WORKS, INC.

2 Saddleback Cove / P.O. Box 1088
Travelers Rest, SC 29690

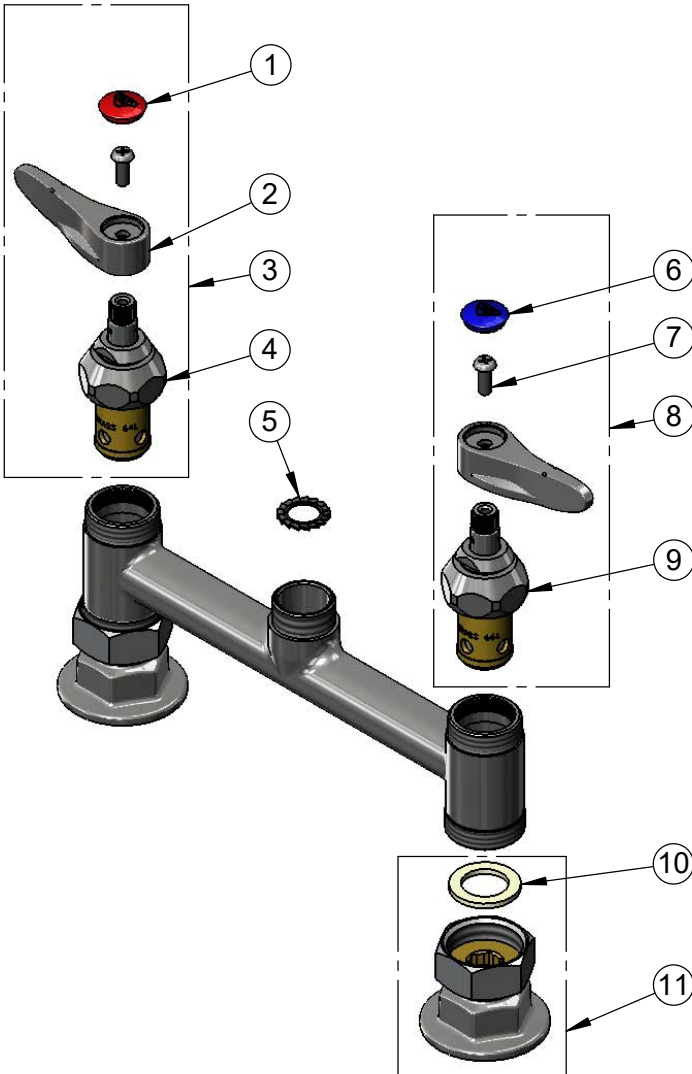
Model No.

B-0220-LN

Item No.

Travelers Rest, SC: 800-476-4103 • Simi Valley, CA: 800-423-0150 • Fax: 864-834-3518 • www.tsbrass.com

| ITEM NO. | SALES NO. | DESCRIPTION |
|----------|-------------|--|
| 1 | 001193-19NS | Red Button Index, Press-in |
| 2 | 001638-45NS | Lever Handle (New Style) |
| 3 | 002712-40NS | Quarter-Turn Eterna Cartridge w/ Spring Check, Handle, Red Index & Screw, RTC |
| 4 | 012443-40NS | Quarter-Turn Eterna Cartridge w/ Spring Check, RTC |
| 5 | 014200-45 | Star Washer, Anti-Rotation |
| 6 | 018506-19NS | Blue Button Index, Press-in |
| 7 | 000925-45 | Lab Handle Screw |
| 8 | 002711-40NS | Quarter-Turn Eterna Cartridge w/ Spring Check, Handle, Blue Index & Screw, LTC |
| 9 | 012442-40NS | Quarter-Turn Eterna Cartridge w/ Spring Check, LTC |
| 10 | 001019-45 | Coupling Nut Washer |
| 11 | 00AA | 1/2" NPT Female Eccentric Flange |



Product Specifications:

8" Deck Mount Mixing Faucet, Quarter-Turn Eterna Cartridges w/ Spring Checks, Lever Handles & 1/2" NPT Female Inlets, Less Nozzle

Product Compliance:

ASME A112.18.1 / CSA B125.1
NSF 61 - Section 9
NSF 372 (Low Lead Content)
ANSI A117.1 (ADA)