



T&S BRASS AND BRONZE WORKS, INC.
 2 Saddleback Cove / P.O. Box 1088
 Travelers Rest, SC 29690

Model No.

B-0220-LNCC

Item No.

Travelers Rest, SC: 800-476-4103 • Simi Valley, CA: 800-423-0150 • Fax: 864-834-3518 • www.tsbrass.com



ADA Compliant

This Space for Architect/Engineer Approval

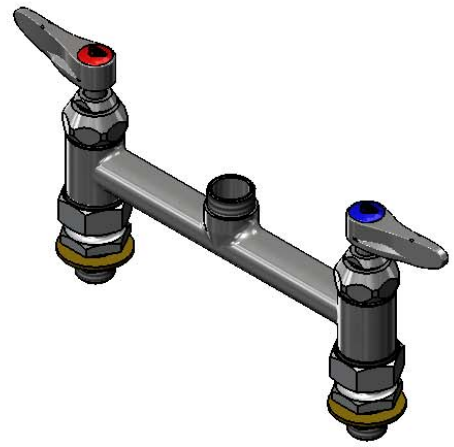
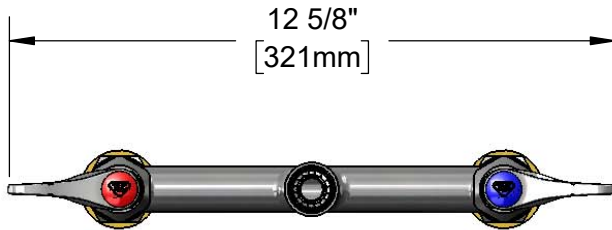
Job Name _____ Date _____

Model Specified _____ Quantity _____

Customer/Wholesaler _____

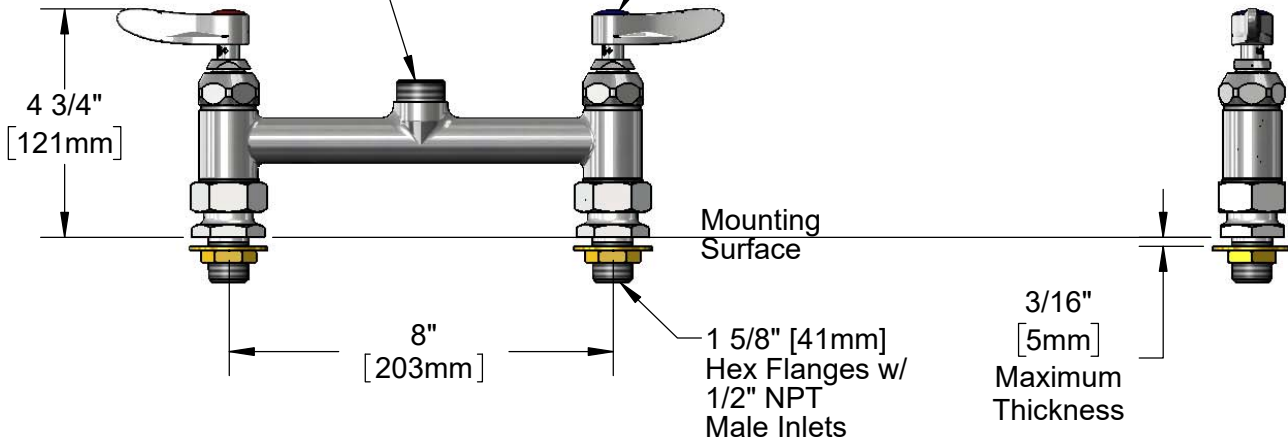
Contractor _____

Architect/Engineer _____



Swivel Outlet Accepts Standard T&S Swing Nozzles. Converts to Rigid w/ [014200-45](#) Lock Washer (Included)

Quarter-Turn Eterna Cartridges w/ Spring Checks & Lever Handles w/ Color Coded Indexes



Product Specifications:

8" Deck Mount Mixing Faucet, Quarter-Turn Eterna Cartridges w/ Spring Checks, Lever Handles & 1/2" NPT Male Inlets, Less Nozzle

Product Compliance:

ASME A112.18.1 / CSA B125.1
 NSF 61 - Section 9
 NSF 372 (Low Lead Content)
 ANSI A117.1 (ADA)



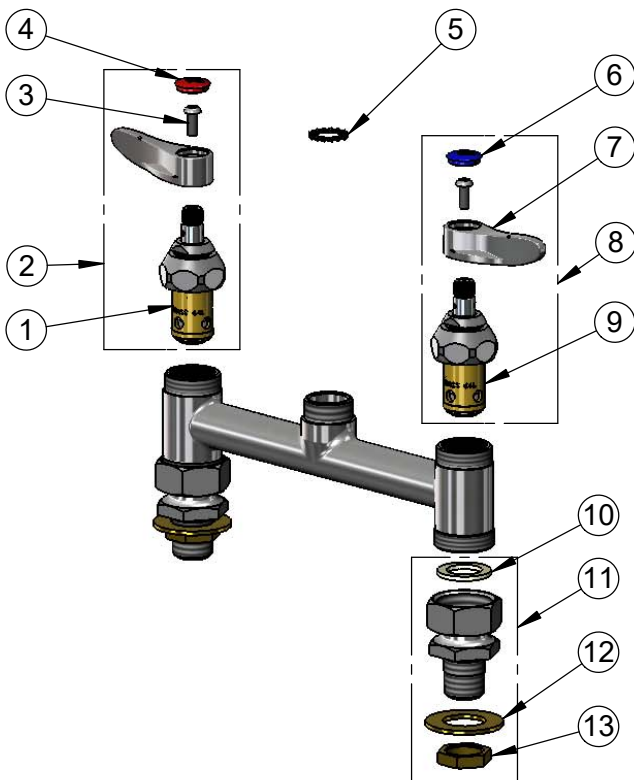
T&S BRASS AND BRONZE WORKS, INC.
 2 Saddleback Cove / P.O. Box 1088
 Travelers Rest, SC 29690

Model No.
B-0220-LNCC

Item No.

Travelers Rest, SC: 800-476-4103 • Simi Valley, CA: 800-423-0150 • Fax: 864-834-3518 • www.tsbrass.com

ITEM NO.	SALES NO.	DESCRIPTION
1	012443-40NS	Quarter-Turn Eterna Cartridge w/ Spring Check, RTC
2	002712-40NS	Quarter-Turn Eterna Cartridge w/ Spring Check, Handle, Red Index & Screw, RTC
3	000925-45	Lab Handle Screw
4	001193-19NS	Red Button Index, Press-in
5	014200-45	Star Washer, Anti-Rotation
6	018506-19NS	Blue Button Index, Press-in
7	001638-45NS	Lever Handle (New Style)
8	002711-40NS	Quarter-Turn Eterna Cartridge w/ Spring Check, Handle, Blue Index & Screw, LTC
9	012442-40NS	Quarter-Turn Eterna Cartridge w/ Spring Check, LTC
10	001019-45	Coupling Nut Washer
11	00CC	1/2" NPT Male Inlet Flange
12	000999-45	Brass Lock Washer
13	002954-45	Shank Lock Nut



Product Specifications:

8" Deck Mount Mixing Faucet, Quarter-Turn Eterna Cartridges w/ Spring Checks, Lever Handles & 1/2" NPT Male Inlets, Less Nozzle

Product Compliance:

ASME A112.18.1 / CSA B125.1
 NSF 61 - Section 9
 NSF 372 (Low Lead Content)
 ANSI A117.1 (ADA)