



T&S BRASS AND BRONZE WORKS, INC.

2 Saddleback Cove / P.O. Box 1088
Travelers Rest, SC 29690

Model No.
B-0210-CR-BVB-A

Item No.

Travelers Rest, SC: 800-476-4103 • Simi Valley, CA: 800-423-0150 • Fax: 864-834-3518 • www.tsbrass.com

This Space for Architect/Engineer Approval

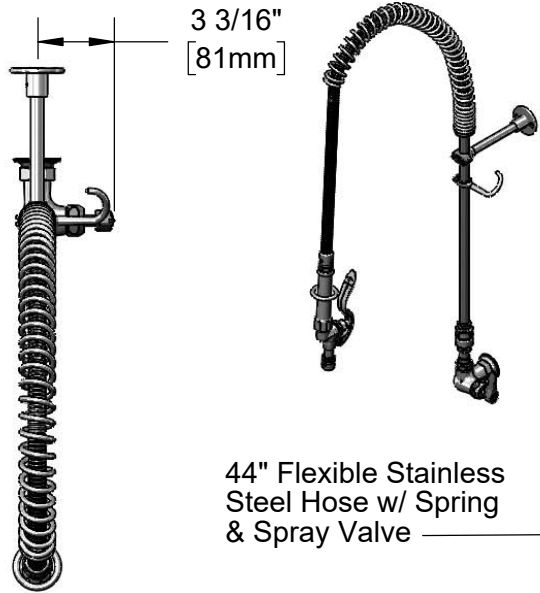
Job Name _____ Date _____

Model Specified _____ Quantity _____

Customer/Wholesaler _____

Contractor _____

Architect/Engineer _____



44" Flexible Stainless Steel Hose w/ Spring & Spray Valve

Items Not Shown For Clarity

Finger Hook

B-0107-A Spray Valve w/ 2.2 GPM Aerator

3/8" NPT x 18" Riser

B-0970-FEZ Vacuum Breaker

8 1/4" [209mm]

Quarter-Turn Cerama Cartridge w/ Check Valve & Lever Handle w/ Blue Color Coded Index

EasyInstall Lock Nut & Bushing

B-0109-01 6" Wall Bracket

37 5/16" [948mm]

14 1/16" [356mm]

2 9/16" [66mm]

Ø 2" [51mm] Flange w/ 1/2" NPT Female Inlet

Mounting Surface

Product Specifications:

Filler Unit: EasyInstall Single Hole Single Temperature Wall Mount Faucet, Quarter-Turn Cerama Cartridge w/ Check Valve, Lever Handle, 44" Flexible Stainless Steel Hose, Spray Valve w/ 2.2 GPM Aerator, Vacuum Breaker, 6" Wall Bracket & 1/2" NPT Female Inlet

Product Compliance:

ASME A112.18.1 / CSA B125.1
NSF 61 - Section 9
NSF 372 (Low Lead Content)
2019 DOE PRSV Non-Compliant
CSA B64.8 (VB)
Product Not Designed/Intended for Commercial Warewashing in North America



T&S BRASS AND BRONZE WORKS, INC.

2 Saddleback Cove / P.O. Box 1088
Travelers Rest, SC 29690

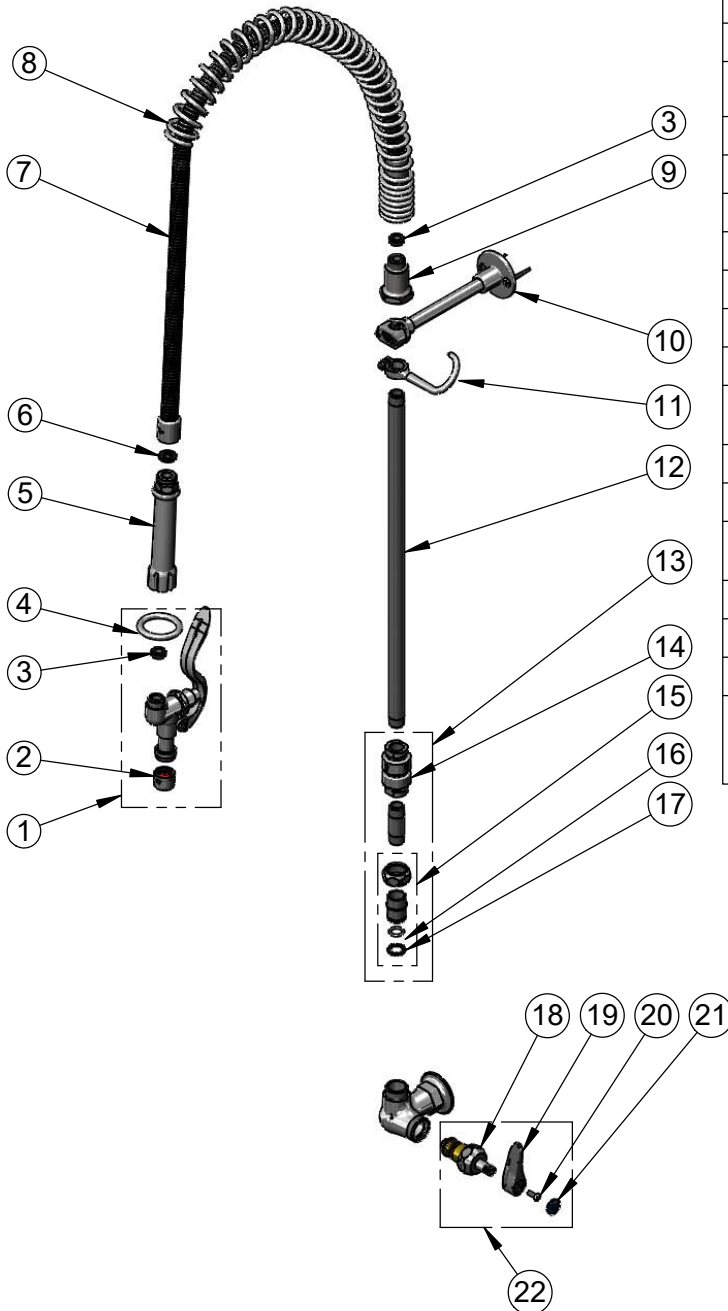
Model No.

B-0210-CR-BVB-A

Item No.

Travelers Rest, SC: 800-476-4103 • Simi Valley, CA: 800-423-0150 • Fax: 864-834-3518 • www.tsbrass.com

| ITEM NO. | SALES NO. | DESCRIPTION |
|----------|-------------|--|
| 1 | B-0107-A | Filler Valve w/ 2.2 GPM Aerator |
| 2 | B-0199-01 | 2.2 GPM Aerator, 55/64-27 UN Female |
| 3 | 010476-45 | #27 Washer |
| 4 | 000907-45 | Spray Valve Hold Down Ring |
| 5 | 002987-40 | Grip Handle |
| 6 | 001014-45 | Washer, B-0100 Hose Barrel |
| 7 | B-0044-H2A | 44" Flexible Stainless Steel Hose, Less Handle |
| 8 | 000888-45 | EasyInstall Overhead Spring |
| 9 | 000821-40 | Spring Body |
| 10 | B-0109-01 | 6" Wall Bracket |
| 11 | 004R | Finger Hook |
| 12 | 000369-40 | 3/8" NPT x 18" Riser |
| 13 | B-0970-FEZ | EasyInstall Vacuum Breaker |
| 14 | B-0970-FE | 3/8" NPT Vacuum Breaker |
| 15 | EZ-K | EasyInstall Kit: Nut, Bushing, O-Ring & Lock Washer |
| 16 | 001065-45 | O-Ring |
| 17 | 014200-45 | Star Washer, Anti-Rotation |
| 18 | 012446-25NS | Quarter-Turn Cerama Cartridge, RTC w/ Check Valve |
| 19 | 001638-45NS | Lever Handle (New Style) |
| 20 | 000925-45 | Lab Handle Screw |
| 21 | 018506-19NS | Blue Button Index, Press-in |
| 22 | 019641-25 | Quarter-Turn Cerama Cartridge RTC w/ Check Valve, Handle, Blue Index & Screw |



Product Specifications:

Filler Unit: EasyInstall Single Hole Single Temperature Wall Mount Faucet, Quarter-Turn Cerama Cartridge w/ Check Valve, Lever Handle, 44" Flexible Stainless Steel Hose, Spray Valve w/ 2.2 GPM Aerator, Vacuum Breaker, 6" Wall Bracket & 1/2" NPT Female Inlet

Product Compliance:

ASME A112.18.1 / CSA B125.1
NSF 61 - Section 9
NSF 372 (Low Lead Content)
2019 DOE PRSV Non-Compliant
CSA B64.8 (VB)
Product Not Designed/Intended for
Commercial Warewashing in North America