



# T&S BRASS AND BRONZE WORKS, INC.

2 Saddleback Cove / P.O. Box 1088  
Travelers Rest, SC 29690

Model No.

**B-0206-01**

Item No.

Travelers Rest, SC: 800-476-4103 • Simi Valley, CA: 800-423-0150 • Fax: 864-834-3518 • www.tsbrass.com



**ADA Compliant**

This Space for Architect/Engineer Approval

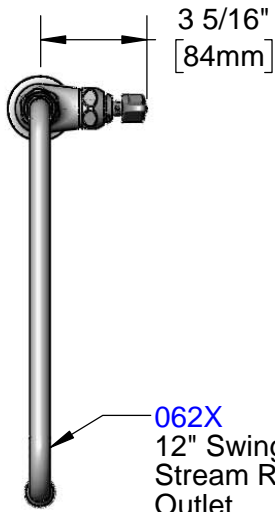
Job Name \_\_\_\_\_ Date \_\_\_\_\_

Model Specified \_\_\_\_\_ Quantity \_\_\_\_\_

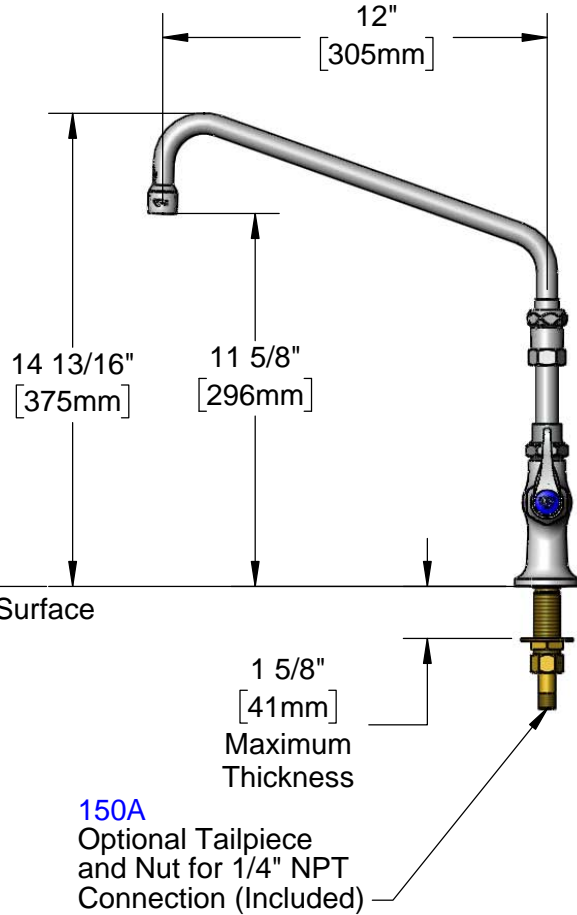
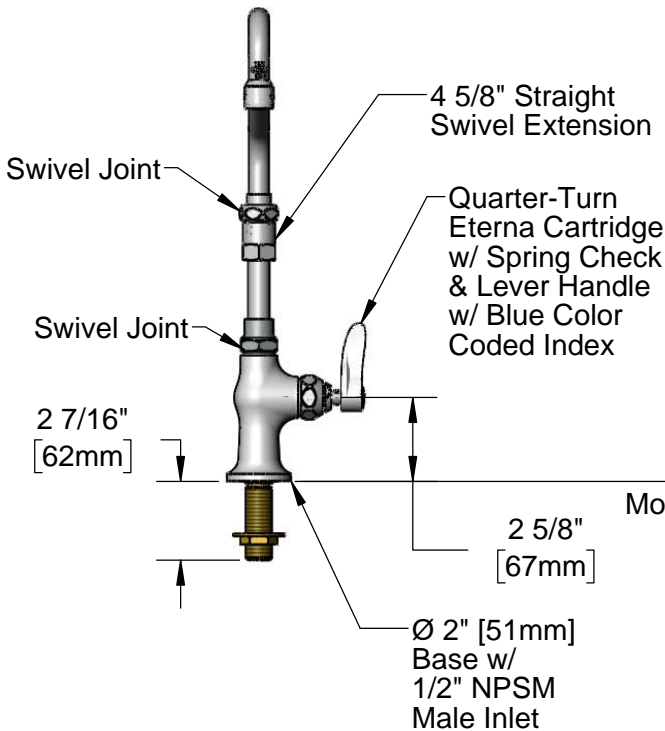
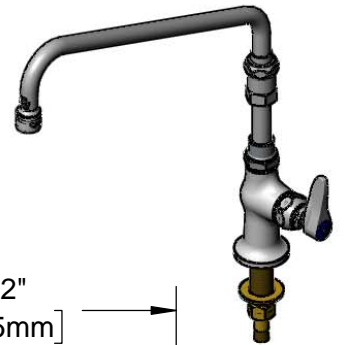
Customer/Wholesaler \_\_\_\_\_

Contractor \_\_\_\_\_

Architect/Engineer \_\_\_\_\_



**062X**  
12" Swing Nozzle w/  
Stream Regulator  
Outlet



Rough-In Requirement:  
Ø 1" [25mm] Mounting Hole

Product Specifications:  
Single Hole Single Temperature Deck Mount Faucet, Quarter-Turn Eterna Cartridge w/ Spring Check, Lever Handle, 12" Swing Nozzle, 4 5/8" Swivel Extension & 1/2" NPSM Male Inlet

Product Compliance:  
ASME A112.18.1 / CSA B125.1  
NSF 61 - Section 9  
NSF 372 (Low Lead Content)  
ANSI A117.1 (ADA)



# T&S BRASS AND BRONZE WORKS, INC.

2 Saddleback Cove / P.O. Box 1088  
Travelers Rest, SC 29690

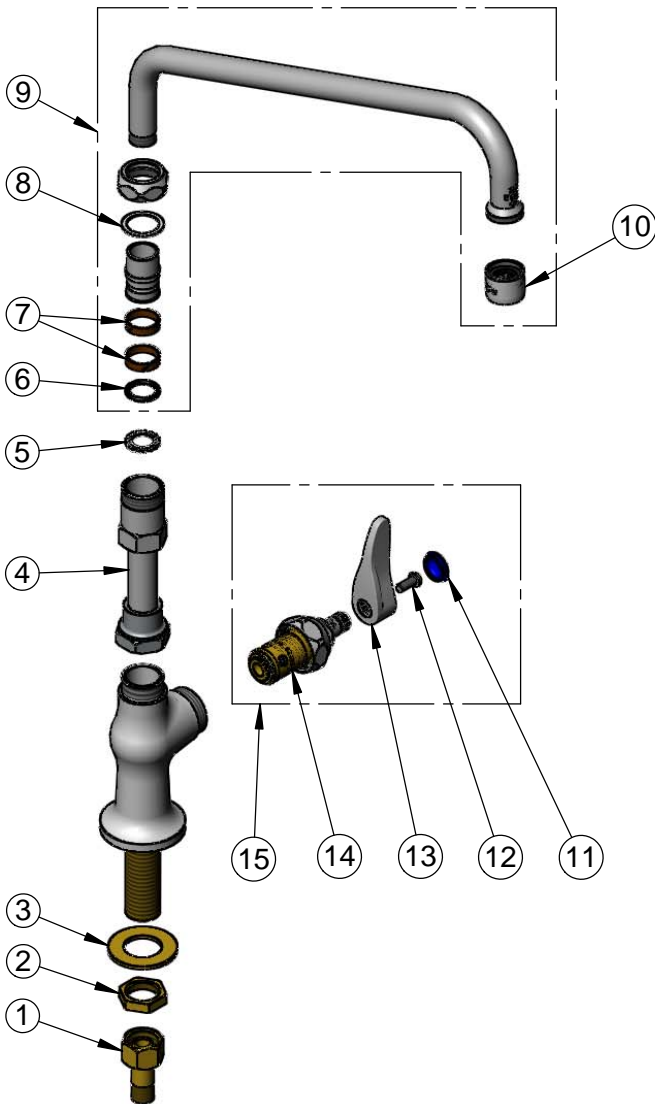
Model No.

**B-0206-01**

Item No.

Travelers Rest, SC: 800-476-4103 • Simi Valley, CA: 800-423-0150 • Fax: 864-834-3518 • www.tsbrass.com

ITEM NO.	SALES NO.	DESCRIPTION
1	150A	1/2" NPT Female Eccentric Flange
2	002954-45	Shank Lock Nut
3	000999-45	Brass Lock Washer
4	B-1912-11	4 5/8" Straight Swivel Extension
5	014200-45	Star Washer, Anti-Rotation
6	001074-45	O-Ring
7	011429-45	Swivel Sleeves (2)
8	009538-45	Swivel Washer
9	062X	12" Swing Nozzle
10	B-PT	Stream Regulator Outlet
11	018506-19NS	Blue Button Index, Press-in
12	000925-45	Lab Handle Screw
13	001638-45NS	Lever Handle (New Style)
14	012443-40NS	Quarter-Turn Eterna Cartridge w/ Spring Check, RTC
15	019639-40	Quarter-Turn Eterna Cartridge RTC w/ Spring Check, Handle, Blue Index & Screw



**Product Specifications:**

Single Hole Single Temperature Deck Mount Faucet, Quarter-Turn Eterna Cartridge w/ Spring Check, Lever Handle, 12" Swing Nozzle, 4 5/8" Swivel Extension & 1/2" NPSM Male Inlet

**Product Compliance:**

ASME A112.18.1 / CSA B125.1  
NSF 61 - Section 9  
NSF 372 (Low Lead Content)  
ANSI A117.1 (ADA)