



**T&S BRASS AND BRONZE WORKS, INC.**  
 2 Saddleback Cove / P.O. Box 1088  
 Travelers Rest, SC 29690

Model No.  
**B-0205-LN**

Item No.

Travelers Rest, SC: 800-476-4103 • Simi Valley, CA: 800-423-0150 • Fax: 864-834-3518 • www.tsbrass.com



**ADA Compliant**

This Space for Architect/Engineer Approval

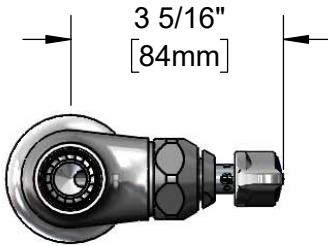
Job Name \_\_\_\_\_ Date \_\_\_\_\_

Model Specified \_\_\_\_\_ Quantity \_\_\_\_\_

Customer/Wholesaler \_\_\_\_\_

Contractor \_\_\_\_\_

Architect/Engineer \_\_\_\_\_



3 5/16"  
[84mm]



Swivel Outlet Accepts  
 Standard T&S Swing Nozzles.  
 Converts to Rigid w/  
 014200-45  
 Lock Washer (Included)

Quarter-Turn  
 Eterna Cartridge  
 w/ Spring Check  
 & Lever Handle  
 w/ Blue Color  
 Coded Index

4 3/8"  
[111mm]

2 5/8"  
[67mm]

Mounting Surface

2 7/16"  
[62mm]

Ø 2" [51mm]  
 Base w/  
 1/2" NPSM  
 Male Inlet

**150A**  
 Optional Tailpiece  
 and Nut for 1/4" NPT  
 Connection (Included)

1 5/8"  
[41mm]  
 Maximum  
 Thickness

Rough-In Requirement:  
 Ø 1" [25mm] Mounting Hole

Product Specifications:  
 Single Hole Single Temperature Deck Mount Faucet, Quarter-Turn Eterna  
 Cartridge w/ Spring Check, Lever Handle

Product Compliance:  
 ASME A112.18.1 / CSA B125.1  
 NSF 61 - Section 9  
 NSF 372 (Low Lead Content)  
 ANSI A117.1 (ADA)



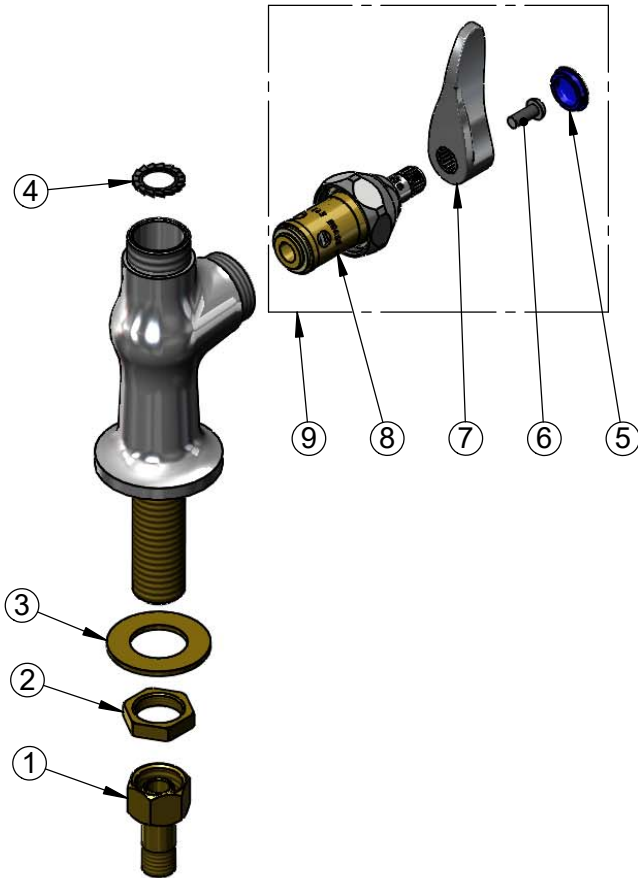
**T&S BRASS AND BRONZE WORKS, INC.**  
 2 Saddleback Cove / P.O. Box 1088  
 Travelers Rest, SC 29690

Model No.  
**B-0205-LN**

Item No.

Travelers Rest, SC: 800-476-4103 • Simi Valley, CA: 800-423-0150 • Fax: 864-834-3518 • www.tsbrass.com

ITEM NO.	SALES NO.	DESCRIPTION
1	150A	1/2" NPT Female Eccentric Flange
2	002954-45	Shank Lock Nut
3	000999-45	Brass Lock Washer
4	014200-45	Star Washer, Anti-Rotation
5	018506-19NS	Blue Button Index, Press-in
6	000925-45	Lab Handle Screw
7	001638-45NS	Lever Handle (New Style)
8	012443-40NS	Quarter-Turn Eterna Cartridge w/ Spring Check, RTC
9	019639-40	Quarter-Turn Eterna Cartridge RTC w/ Spring Check, Handle, Blue Index & Screw



Product Specifications:  
 Single Hole Single Temperature Deck Mount Faucet, Quarter-Turn Eterna Cartridge w/ Spring Check, Lever Handle

Product Compliance:  
 ASME A112.18.1 / CSA B125.1  
 NSF 61 - Section 9  
 NSF 372 (Low Lead Content)  
 ANSI A117.1 (ADA)