



T&S BRASS AND BRONZE WORKS, INC.

2 Saddleback Cove / P.O. Box 1088
Travelers Rest, SC 29690

Model No.

B-0205-CR

Item No.

Travelers Rest, SC: 800-476-4103 • Simi Valley, CA: 800-423-0150 • Fax: 864-834-3518 • www.tsbrass.com



ADA Compliant

This Space for Architect/Engineer Approval

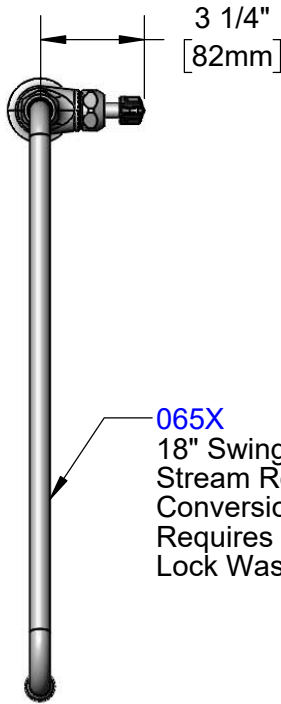
Job Name _____ Date _____

Model Specified _____ Quantity _____

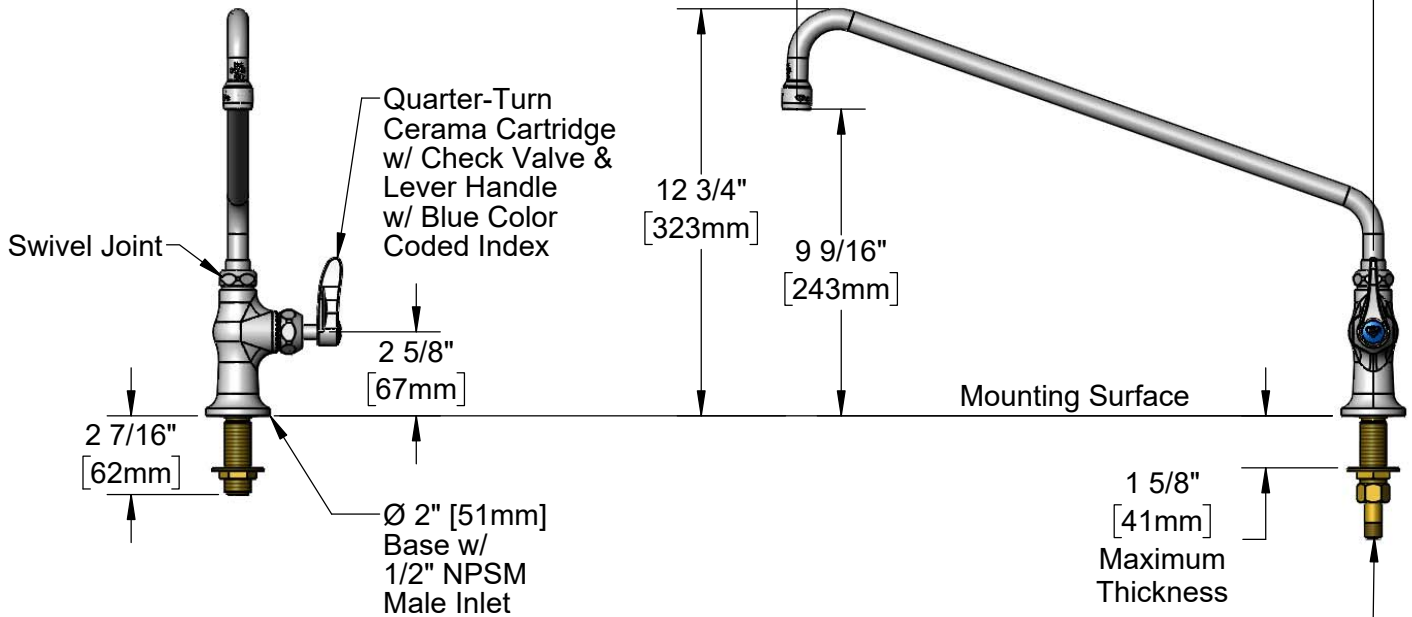
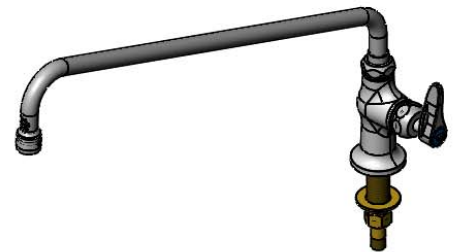
Customer/Wholesaler _____

Contractor _____

Architect/Engineer _____



065X
18" Swing Nozzle w/
Stream Regulator Outlet.
Conversion to Rigid
Requires **014200-45**
Lock Washer (Included)



Rough-In Requirement:
Ø 1" [25mm] Mounting Hole

150A
Optional Tailpiece
and Nut for 1/4" NPT
Connection (Included)

Product Specifications:
Single Hole Single Temperature Deck Mount Faucet, Quarter-Turn Cerama Cartridge w/ Check Valve, Lever Handle, 18" Swing Nozzle & 1/2" NPSM Male Inlet

Product Compliance:
ASME A112.18.1 / CSA B125.1
NSF 61 - Section 9
NSF 372 (Low Lead Content)
ANSI A117.1 (ADA)



T&S BRASS AND BRONZE WORKS, INC.

2 Saddleback Cove / P.O. Box 1088
Travelers Rest, SC 29690

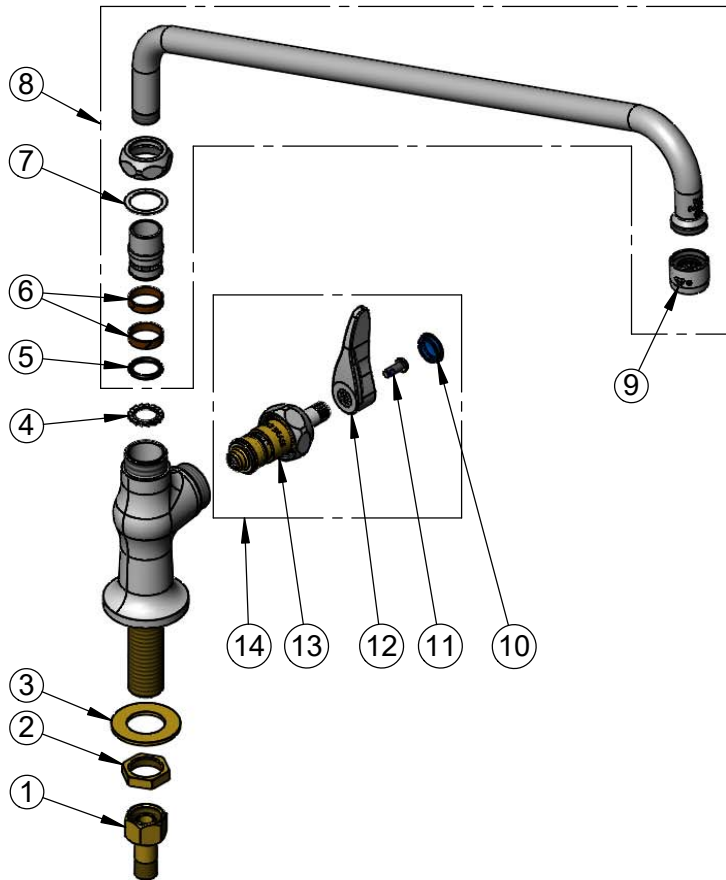
Model No.

B-0205-CR

Item No.

Travelers Rest, SC: 800-476-4103 • Simi Valley, CA: 800-423-0150 • Fax: 864-834-3518 • www.tsbrass.com

| ITEM NO. | SALES NO. | DESCRIPTION |
|----------|-------------|--|
| 1 | 150A | 1/2" NPT Female Eccentric Flange |
| 2 | 002954-45 | Shank Lock Nut |
| 3 | 000999-45 | Brass Lock Washer |
| 4 | 014200-45 | Star Washer, Anti-Rotation |
| 5 | 001074-45 | O-Ring |
| 6 | 011429-45 | Swivel Sleeves (2) |
| 7 | 009538-45 | Swivel Washer |
| 8 | 065X | 18" Swing Nozzle |
| 9 | B-PT | Stream Regulator Outlet |
| 10 | 018506-19NS | Blue Button Index, Press-in |
| 11 | 000925-45 | Lab Handle Screw |
| 12 | 001638-45NS | Lever Handle (New Style) |
| 13 | 012394-25NS | Quarter-Turn Cerama Cartridge w/ Check Valve, RTC |
| 14 | 019641-25 | Quarter-Turn Cerama Cartridge RTC w/ Check Valve, Handle, Blue Index & Screw |



Product Specifications:

Single Hole Single Temperature Deck Mount Faucet, Quarter-Turn Cerama Cartridge w/ Check Valve, Lever Handle, 18" Swing Nozzle & 1/2" NPSM Male Inlet

Product Compliance:

ASME A112.18.1 / CSA B125.1
NSF 61 - Section 9
NSF 372 (Low Lead Content)
ANSI A117.1 (ADA)