



T&S BRASS AND BRONZE WORKS, INC.

2 Saddleback Cove / P.O. Box 1088
Travelers Rest, SC 29690

Model No.

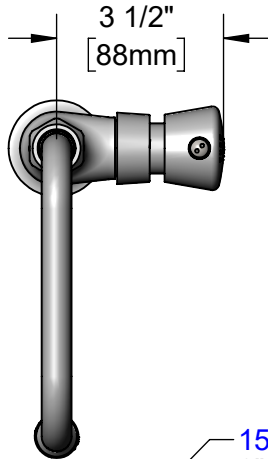
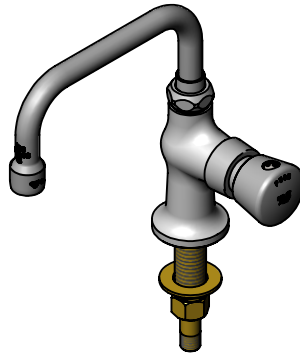
B-0205-153X-238AB

Item No.

Travelers Rest, SC: 800-476-4103 • Simi Valley, CA: 800-423-0150 • Fax: 864-834-3518 • www.tsbrass.com



ADA Compliant



This Space for Architect/Engineer Approval

Job Name _____ Date _____

Model Specified _____ Quantity _____

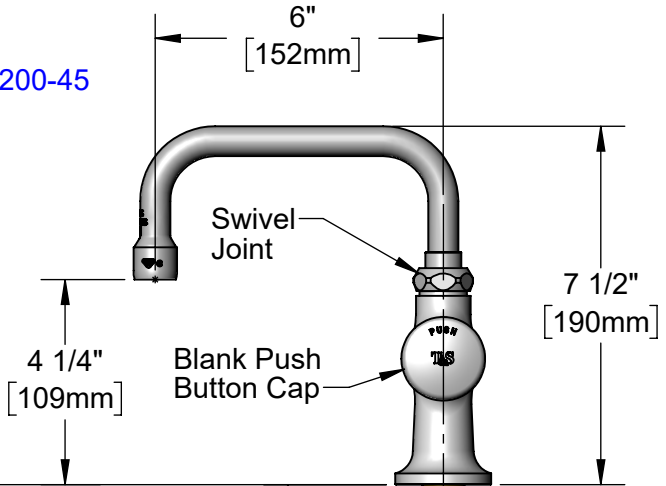
Customer/Wholesaler _____

Contractor _____

Architect/Engineer _____

153X
6" Swing Nozzle w/
B-PT Stream Regulator.
Converts to Rigid w/ 014200-45
Lock Washer (Included)

Metering Cartridge
(Requires 3/32" Hex
Key for Adjustment)



2 1/2" [63mm]
Mounting Surface
Ø 2" [51mm]
Flange w/
1/2" NPSM
Male Inlet

2 5/8" [67mm]

1 5/8" [41mm]
Maximum
Thickness

150A
Optional Tailpiece
& Nut for 1/4" NPT
Connection (Included)

Rough-In Requirement:
Ø 1" [25mm] Mounting Hole

Product Specifications:
Single Hole, Single Temperature Deck Mount Faucet, Push Button Metering
Cartridge, 6" Swing Nozzle w/ Stream Regulator Outlet & 1/2" NPSM Male
Inlet

Product Compliance:
ASME A112.18.1 / CSA B125.1
NSF 61 - Section 9
NSF 372 (Low Lead Content)
ANSI A117.1 (ADA)



T&S BRASS AND BRONZE WORKS, INC.

2 Saddleback Cove / P.O. Box 1088
Travelers Rest, SC 29690

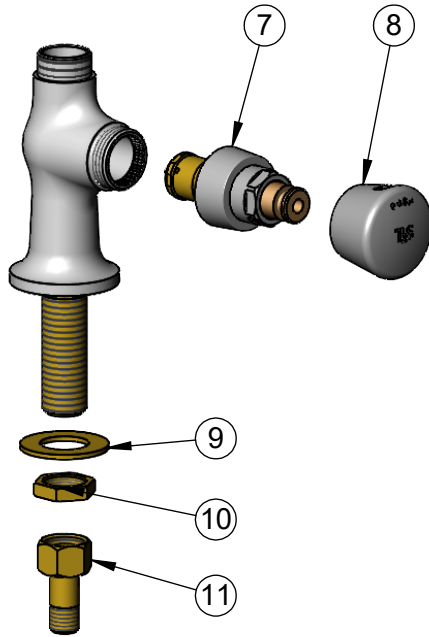
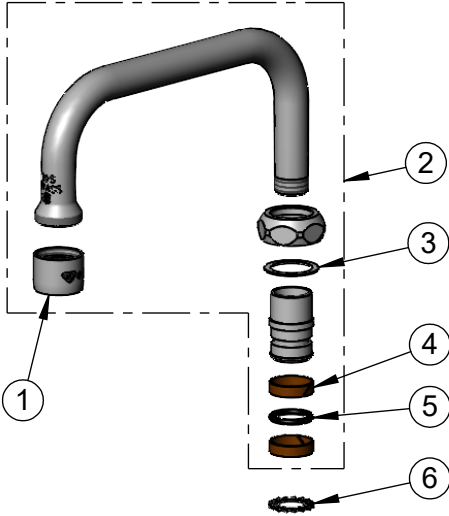
Model No.

B-0205-153X-238AB

Item No.

Travelers Rest, SC: 800-476-4103 • Simi Valley, CA: 800-423-0150 • Fax: 864-834-3518 • www.tsbrass.com

ITEM NO.	SALES NO.	DESCRIPTION
1	B-PT	Full Flow Stream Regulator, 55/64-27
2	153X	6" Front Section Swing Nozzle
3	009538-45	Swivel Washer
4	011429-45	Swivel Sleeves (2)
5	001074-45	O-Ring
6	014200-45	Star Washer, Anti-Rotation
7	238A	Metering Cartridge
8	014193-40	Blank Push-Button Cap
9	000999-45	Brass Lock Washer
10	002954-45	Shank Lock Nut
11	150A	1/4" NPT Tailpiece & Nut



014734-45
Spanner Bit
(Included)

Product Specifications:

Single Hole, Single Temperature Deck Mount Faucet, Push Button Metering Cartridge, 6" Swing Nozzle w/ Stream Regulator Outlet & 1/2" NPSM Male Inlet

Product Compliance:

ASME A112.18.1 / CSA B125.1
NSF 61 - Section 9
NSF 372 (Low Lead Content)
ANSI A117.1 (ADA)