



T&S BRASS AND BRONZE WORKS, INC.

2 Saddleback Cove / P.O. Box 1088
Travelers Rest, SC 29690

Model No.

B-0198-FD10

Item No.

Travelers Rest, SC: 800-476-4103 • Simi Valley, CA: 800-423-0150 • Fax: 864-834-3518 • www.tsbrass.com

This Space for Architect/Engineer Approval

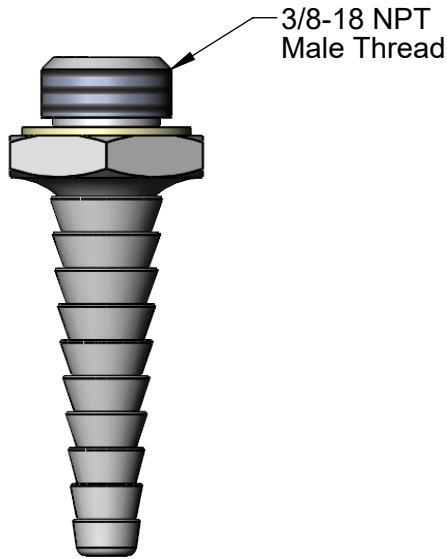
Job Name _____ Date _____

Model Specified _____ Quantity _____

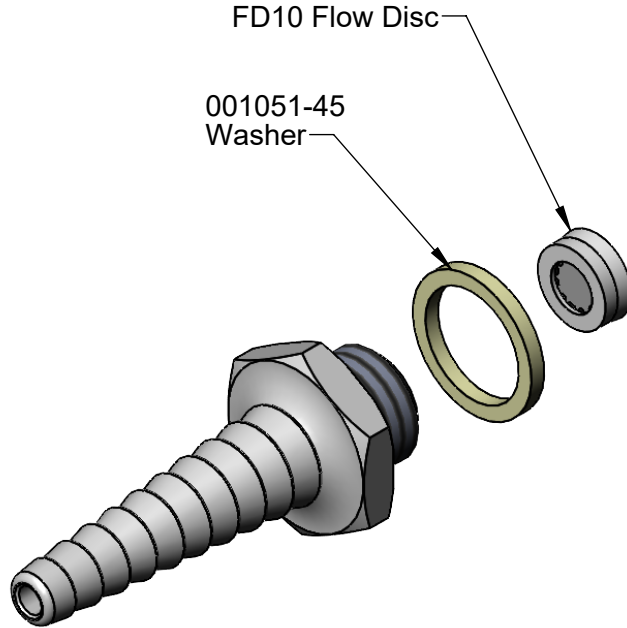
Customer/Wholesaler _____

Contractor _____

Architect/Engineer _____

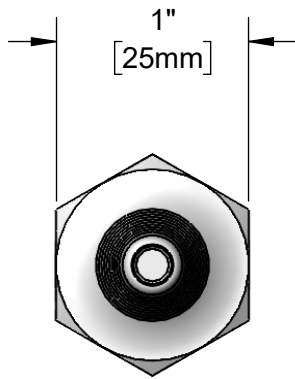


3/8-18 NPT
Male Thread

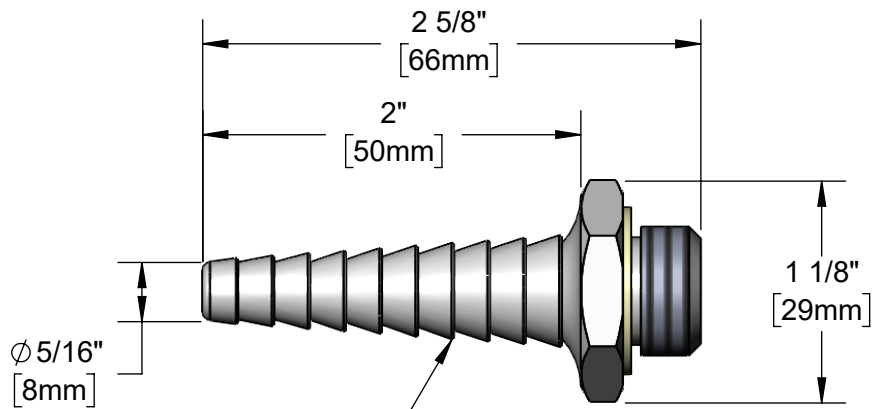


FD10 Flow Disc

001051-45
Washer



1"
[25mm]



Ø 5/16"
[8mm]

1 1/8"
[29mm]

10 Serrations, Accepts
Plastic or Rubber
Tubing Up to 1/2" I.D.

Product Specifications:
Serrated Tip Outlet, 1.0 GPM Flow Disc w/ 3/8" NPT Male Thread

Product Compliance:
ASME A112.18.1 / CSA B125.1
NSF 61 - Section 9
NSF 372 (Low Lead Content)