



T&S BRASS AND BRONZE WORKS, INC.

2 Saddleback Cove / P.O. Box 1088
Travelers Rest, SC 29690

Model No.

B-0195

Item No.

Travelers Rest, SC: 800-476-4103 • Simi Valley, CA: 800-423-0150 • Fax: 864-834-3518 • www.tsbrass.com

This Space for Architect/Engineer Approval

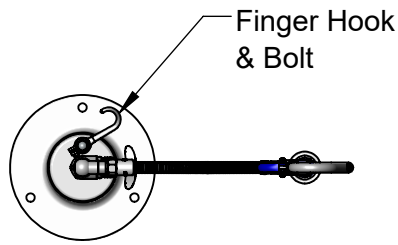
Job Name _____ Date _____

Model Specified _____ Quantity _____

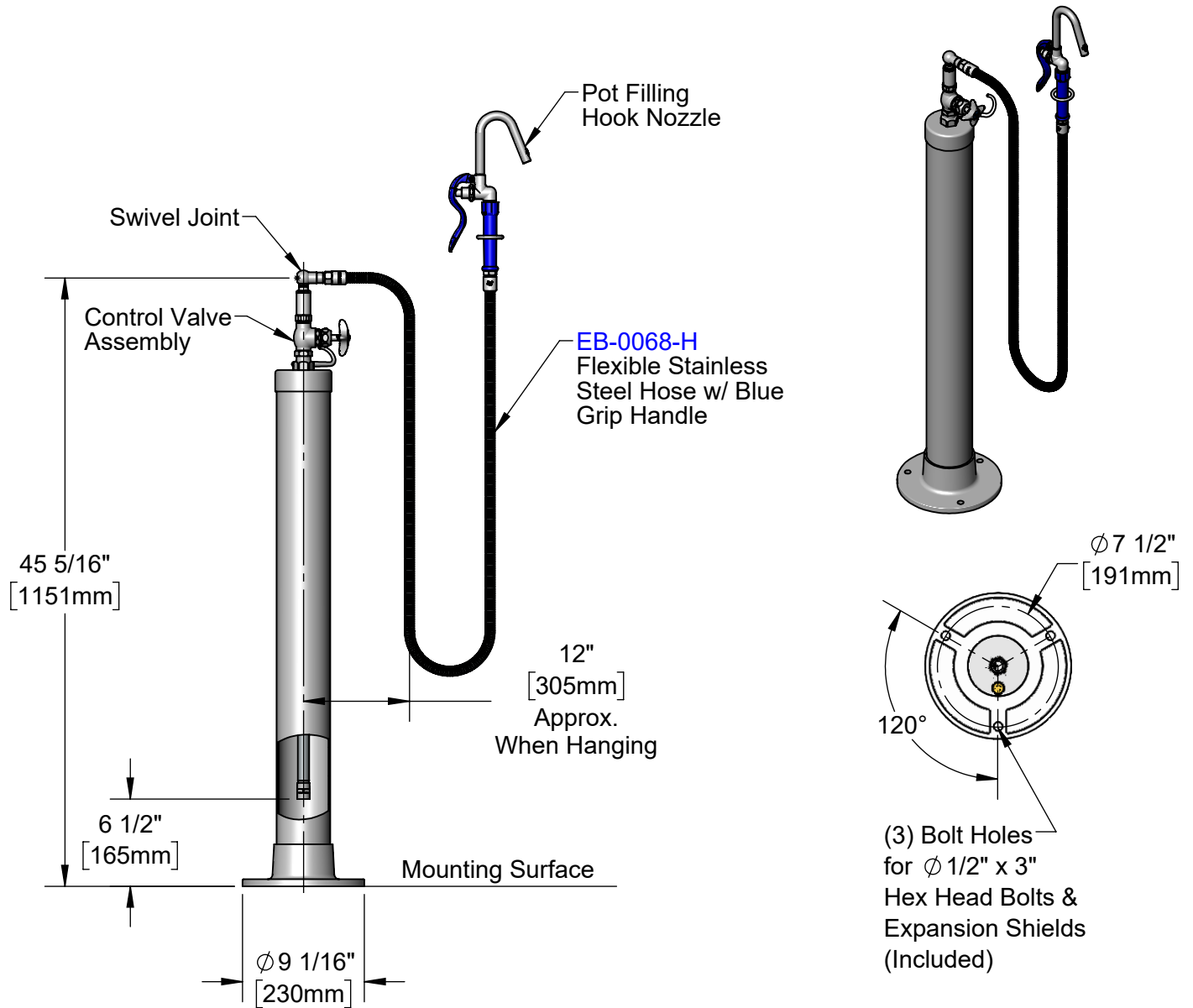
Customer/Wholesaler _____

Contractor _____

Architect/Engineer _____



Finger Hook & Bolt



Product Specifications:

Kettle Kaddy Stanchion w/ Control Valve, 68" Flexible Stainless Steel Hose, & Hook Nozzle Spray Valve

Product Compliance:

ASME A112.18.1 / CSA B125.1
NSF 61 - Section 9
NSF 372 (Low Lead Content)
2019 DOE PRSV Non-Compliant



T&S BRASS AND BRONZE WORKS, INC.

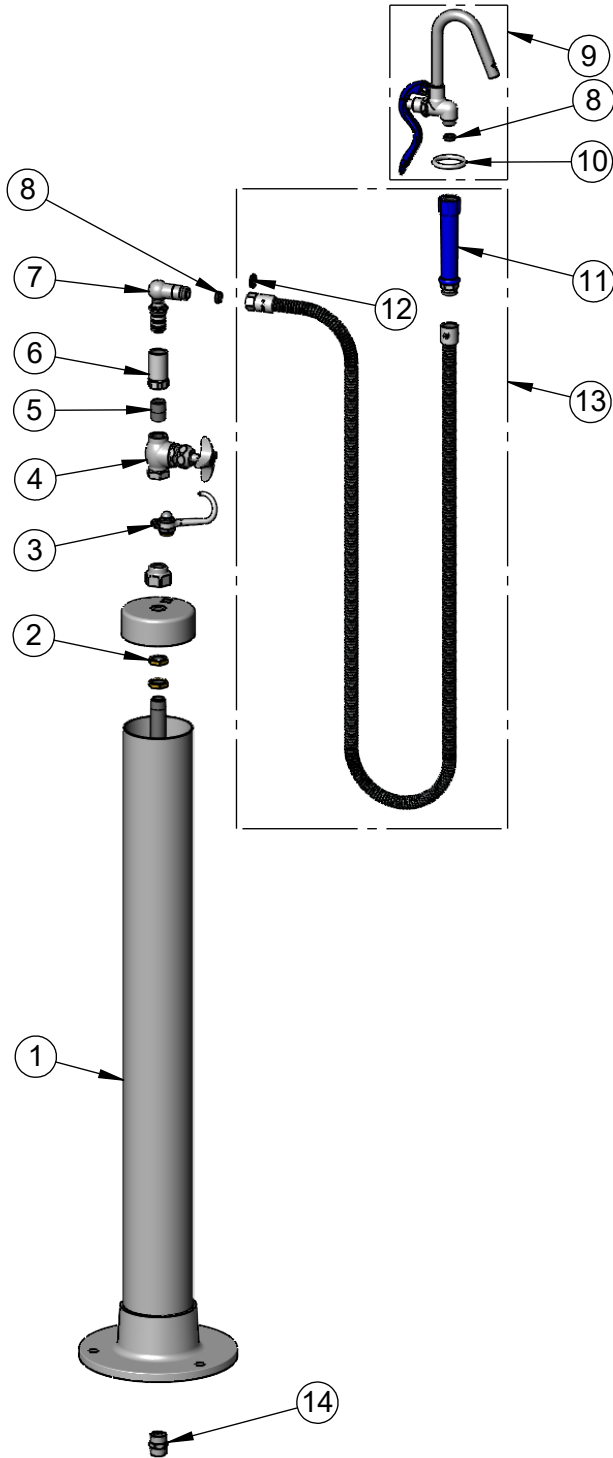
2 Saddleback Cove / P.O. Box 1088
Travelers Rest, SC 29690

Model No.

B-0195

Item No.

Travelers Rest, SC: 800-476-4103 • Simi Valley, CA: 800-423-0150 • Fax: 864-834-3518 • www.tsbrass.com



ITEM NO.	SALES NO.	DESCRIPTION
1	002847-40	B-0190 Stanchion
2	002954-45	Shank Lock Nut
3	002852-40	Finger Hook & Bolt
4	0RK3	1/2" NPT Shut-Off Valve
5	002534-25	Close Nipple, 1/2" NPT
6	000592-25	Swivel Body
7	002580-40	B-0180 Swivel Unit
8	010476-45	#27 Washer
9	012952-40	Spray Valve w/ Hook Nozzle
10	000907-45	Spray Valve Hold Down Ring
11	011482-40	Blue Grip Handle
12	001014-45	Washer, Hose Barrel
13	EB-0068-H	68" Flexible Stainless Steel Hose w/ Blue Handle
14	001684-20	Coupling, 1/2"

Product Specifications:

Kettle Kaddy Stanchion w/ Control Valve, 68" Flexible Stainless Steel Hose, & Hook Nozzle Spray Valve

Product Compliance:

ASME A112.18.1 / CSA B125.1
NSF 61 - Section 9
NSF 372 (Low Lead Content)
2019 DOE PRSV Non-Compliant