



T&S BRASS AND BRONZE WORKS, INC.

2 Saddleback Cove / P.O. Box 1088
Travelers Rest, SC 29690

Model No.

B-0188

Item No.

Travelers Rest, SC: 800-476-4103 • Simi Valley, CA: 800-423-0150 • Fax: 864-834-3518 • www.tsbrass.com

This Space for Architect/Engineer Approval

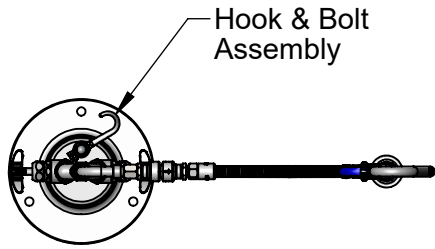
Job Name _____ Date _____

Model Specified _____ Quantity _____

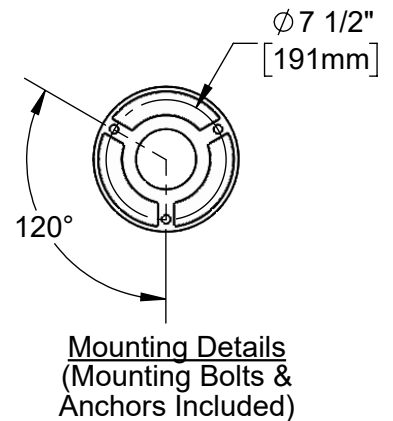
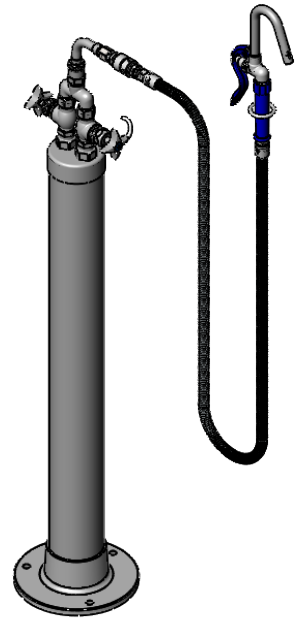
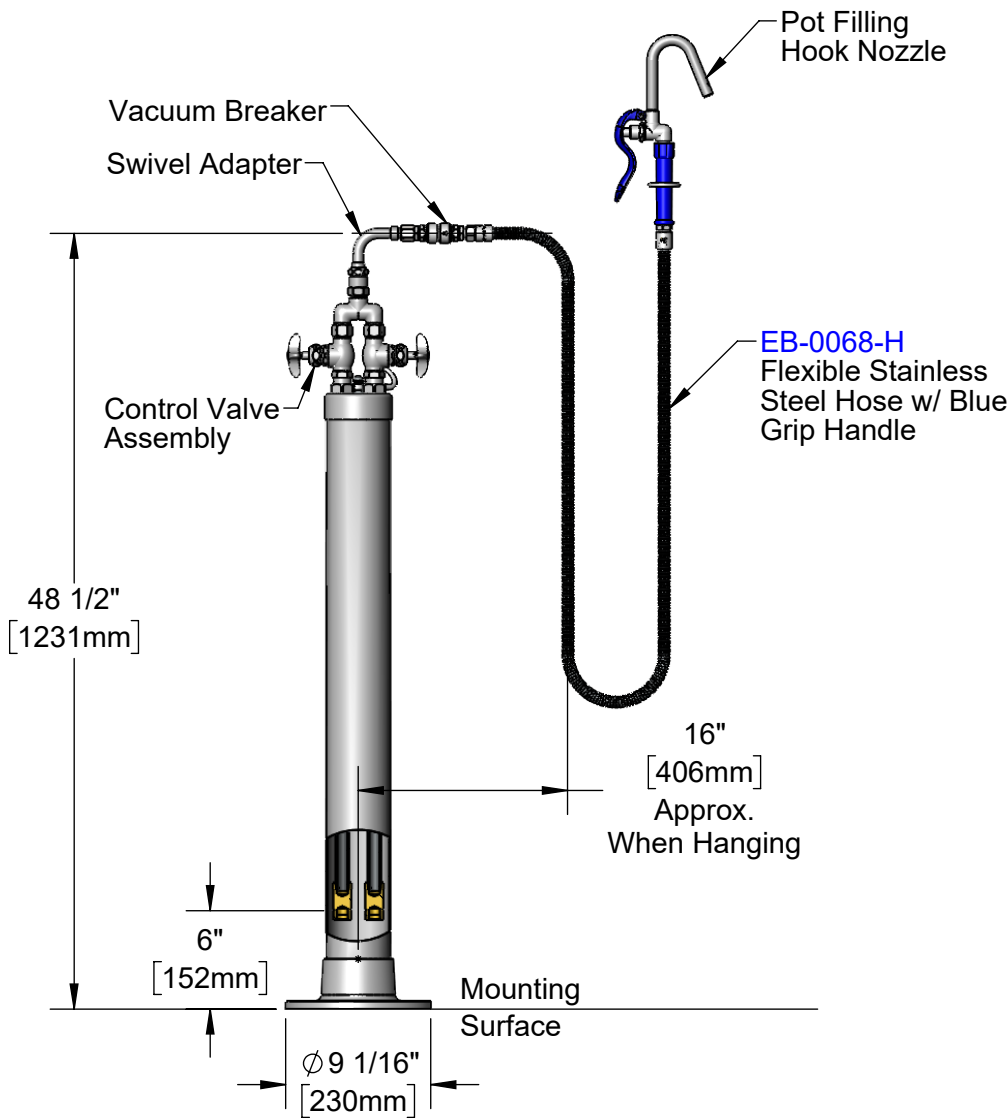
Customer/Wholesaler _____

Contractor _____

Architect/Engineer _____



Hook & Bolt Assembly



Product Specifications:

Kettle Kaddy Stanchion w/ Control Valves, Mixing Valve, 68" Flexible Stainless Steel Hose, Continuous Pressure Vacuum Breaker, Hook Nozzle, & (2) 1/2" Check Valves

Product Compliance:

ASME A112.18.1 / CSA B125.1
NSF 61 - Section 9
NSF 372 (Low Lead Content)
2019 DOE PRSV Non-Compliant
CSA B64.8 (VB)



T&S BRASS AND BRONZE WORKS, INC.

2 Saddleback Cove / P.O. Box 1088
Travelers Rest, SC 29690

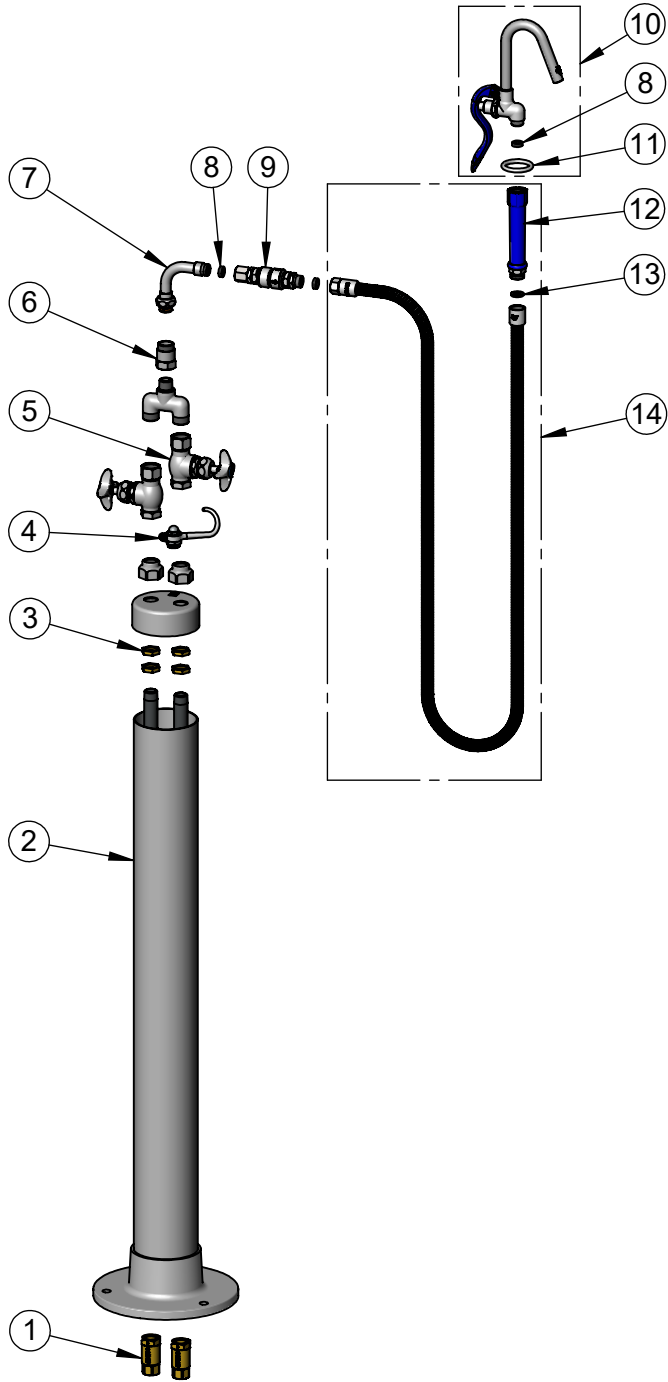
Model No.

B-0188

Item No.

Travelers Rest, SC: 800-476-4103 • Simi Valley, CA: 800-423-0150 • Fax: 864-834-3518 • www.tsbrass.com

ITEM NO.	SALES NO.	DESCRIPTION
1	B-CVH1-2	1/2" NPT Female Check Valve
2	002847-40	B-0190 Stanchion
3	002954-45	Shank Lock Nut
4	002852-40	Finger Hook & Bolt
5	002901-40	1/2" Shut-Off Valve w/ Union Outlet
6	000590-25	1/2" NPT Swivel Body
7	034A	90° Swivel Adapter
8	010476-45	#27 Washer
9	B-0970-01	Continuous Pressure Vacuum Breaker
10	012952-40	Spray Valve w/ Hook Nozzle
11	000907-45	Spray Valve Hold Down Ring
12	011482-40	Blue Grip Handle
13	001014-45	Washer, Hose Barrel
14	EB-0068-H	68" Flexible Stainless Steel Hose w/ Blue Grip Handle



Product Specifications:

Kettle Kaddy Stanchion w/ Control Valves, Mixing Valve, 68" Flexible Stainless Steel Hose, Continuous Pressure Vacuum Breaker, Hook Nozzle, & (2) 1/2" Check Valves

Product Compliance:

ASME A112.18.1 / CSA B125.1
NSF 61 - Section 9
NSF 372 (Low Lead Content)
2019 DOE PRSV Non-Compliant
CSA B64.8 (VB)