



T&S BRASS AND BRONZE WORKS, INC.

2 Saddleback Cove / P.O. Box 1088
Travelers Rest, SC 29690

Model No.

B-0184

Item No.

Travelers Rest, SC: 800-476-4103 • Simi Valley, CA: 800-423-0150 • Fax: 864-834-3518 • www.tsbrass.com

This Space for Architect/Engineer Approval

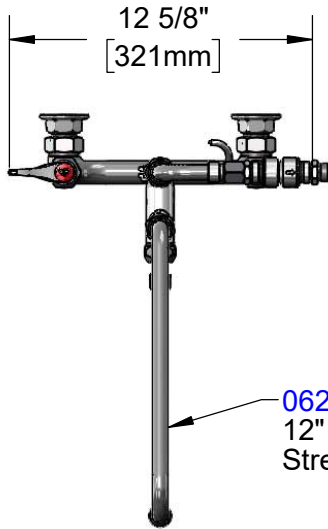
Job Name _____ Date _____

Model Specified _____ Quantity _____

Customer/Wholesaler _____

Contractor _____

Architect/Engineer _____



062X
12" Swing Nozzle w/
Stream Regulator Outlet



B-0107
1.15 GPM
Spray Valve

90° Swivel
Adapter Arm w/
B-0970-01
Vacuum Breaker

20" Flexible
Stainless Steel
Hose

Items Not Shown
for Clarity

Finger Hook

Quarter-Turn
Cerama Cartridges
w/ Check Valves
& Lever Handles
w/ Color Coded
Indexes

3 11/16"
[93mm]

8"
[203mm]
Adjustable From
7 3/4" to 8 1/4"
[197mm to 210mm]

Ø2" [51mm]
Flanges w/
1/2" NPT
Female Inlets

12 1/16"
[306mm]

8 7/8"
[226mm]

4 7/16"
[112mm]

12"
[305mm]

2 5/16"
[59mm]

13 3/8"
[339mm]

EasyInstall Add-On
Faucet w/ Quarter-Turn
Cerama Cartridge &
Lever Handle

2 3/8"
[61mm]

Product Specifications:

8" Wall Mount Mixing Faucet, Quarter-Turn Cerama Cartridges w/ Check Valves, Lever Handles, 20" Flexible Stainless Steel Hose, 1.15 GPM Spray Valve, Add-On Faucet w/ 12" Swing Nozzle, 90° Swivel Adapter Arm w/ Vacuum Breaker & 1/2" NPT Female Inlets

Product Compliance:

ASME A112.18.1 / CSA B125.1
NSF 61 - Section 9
NSF 372 (Low Lead Content)
2019 DOE PRSV - Class II
CSA B64.8 (VB)

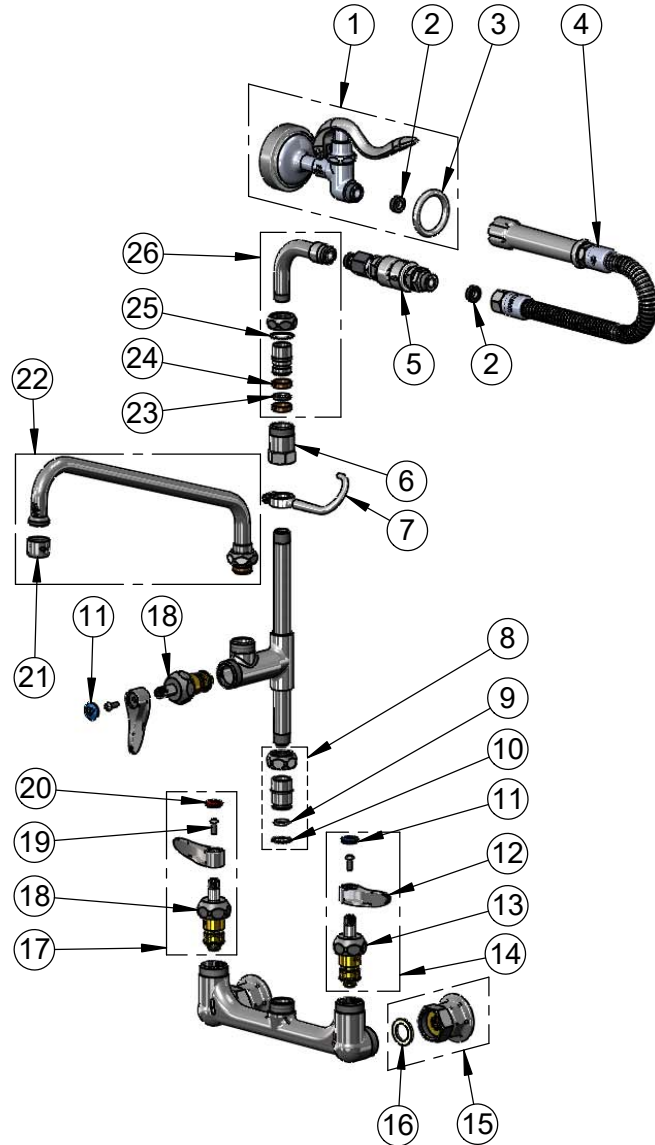


T&S BRASS AND BRONZE WORKS, INC.
 2 Saddleback Cove / P.O. Box 1088
 Travelers Rest, SC 29690

Model No.
B-0184

Item No.

Travelers Rest, SC: 800-476-4103 • Simi Valley, CA: 800-423-0150 • Fax: 864-834-3518 • www.tsbrass.com



ITEM NO.	SALES NO.	DESCRIPTION
1	B-0107	1.15 GPM Spray Valve
2	010476-45	#27 Washer
3	000907-45	Spray Valve Hold Down Ring
4	B-0020-H	20" Flexible Stainless Steel Hose
5	B-0970-01	Continuous Pressure Vacuum Breaker w/ 3/4-14 UN Adapters
6	054X	Swivel Body
7	004R	Finger Hook
8	EZ-K	EasyInstall Kit
9	001065-45	O-ring
10	014200-45	Star Washer, Anti-Rotation
11	018506-19NS	Blue Button Index, Press-in
12	001638-45NS	Lever Handle (New Style)
13	012395-25NS	Quarter-Turn Cerama Cartridge w/ Check Valve, LTC
14	012447-25NS	Quarter-Turn Cerama Cartridge w/ Check Valve, Handle, Blue Index & Screw, LTC
15	00AA	1/2" NPT Female Eccentric Flange
16	001019-45	Coupling Nut Washer
17	012446-25NS	Quarter-Turn Cerama Cartridge w/ Check Valve, Handle, Red Index & Screw, RTC
18	012394-25NS	Quarter-Turn Cerama Cartridge w/ Check Valve, RTC
19	000925-45	Lab Handle Screw
20	001193-19NS	Red Button Index, Press-in
21	B-PT	Full Flow Stream Regulator, 55/64-27
22	062X	12" Swing Nozzle
23	001074-45	O-Ring
24	011429-45	Swivel Sleeves (2)
25	009538-45	Swivel Washer
26	034A	90° Swivel Adapter Arm

Product Specifications:

8" Wall Mount Mixing Faucet, Quarter-Turn Cerama Cartridges w/ Check Valves, Lever Handles, 20" Flexible Stainless Steel Hose, 1.15 GPM Spray Valve, Add-On Faucet w/ 12" Swing Nozzle, 90° Swivel Adapter Arm w/ Vacuum Breaker & 1/2" NPT Female Inlets

Product Compliance:

ASME A112.18.1 / CSA B125.1
 NSF 61 - Section 9
 NSF 372 (Low Lead Content)
 2019 DOE PRSV - Class II
 CSA B64.8 (VB)