



# T&S BRASS AND BRONZE WORKS, INC.

2 Saddleback Cove / P.O. Box 1088  
Travelers Rest, SC 29690

Model No.

**B-0182**

Item No.

Travelers Rest, SC: 800-476-4103 • Simi Valley, CA: 800-423-0150 • Fax: 864-834-3518 • www.tsbrass.com

This Space for Architect/Engineer Approval

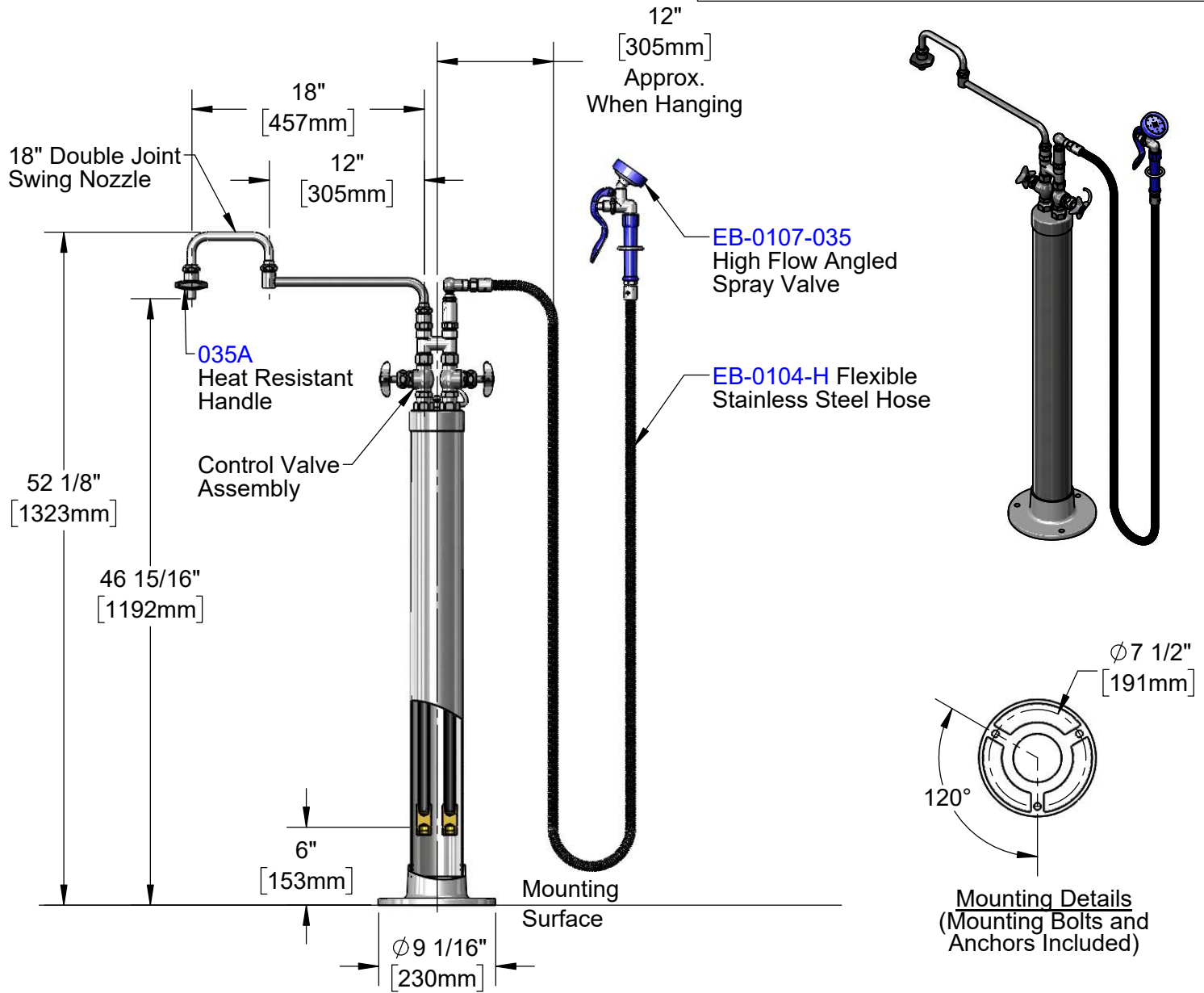
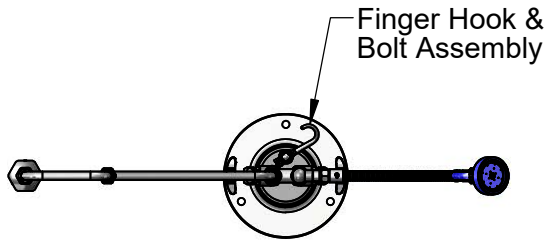
Job Name \_\_\_\_\_ Date \_\_\_\_\_

Model Specified \_\_\_\_\_ Quantity \_\_\_\_\_

Customer/Wholesaler \_\_\_\_\_

Contractor \_\_\_\_\_

Architect/Engineer \_\_\_\_\_



**Product Specifications:**  
Kettle Kaddy Combination Kettle Filler and Spray Stanchion, Control Valves, 18" Double Joint Swing Nozzle, On/Off Volume Control, 1/2" Swivel Coupling, 104" Flexible Stainless Steel Hose, High Flow Spray Valve & (2) 1/2" Check Valves

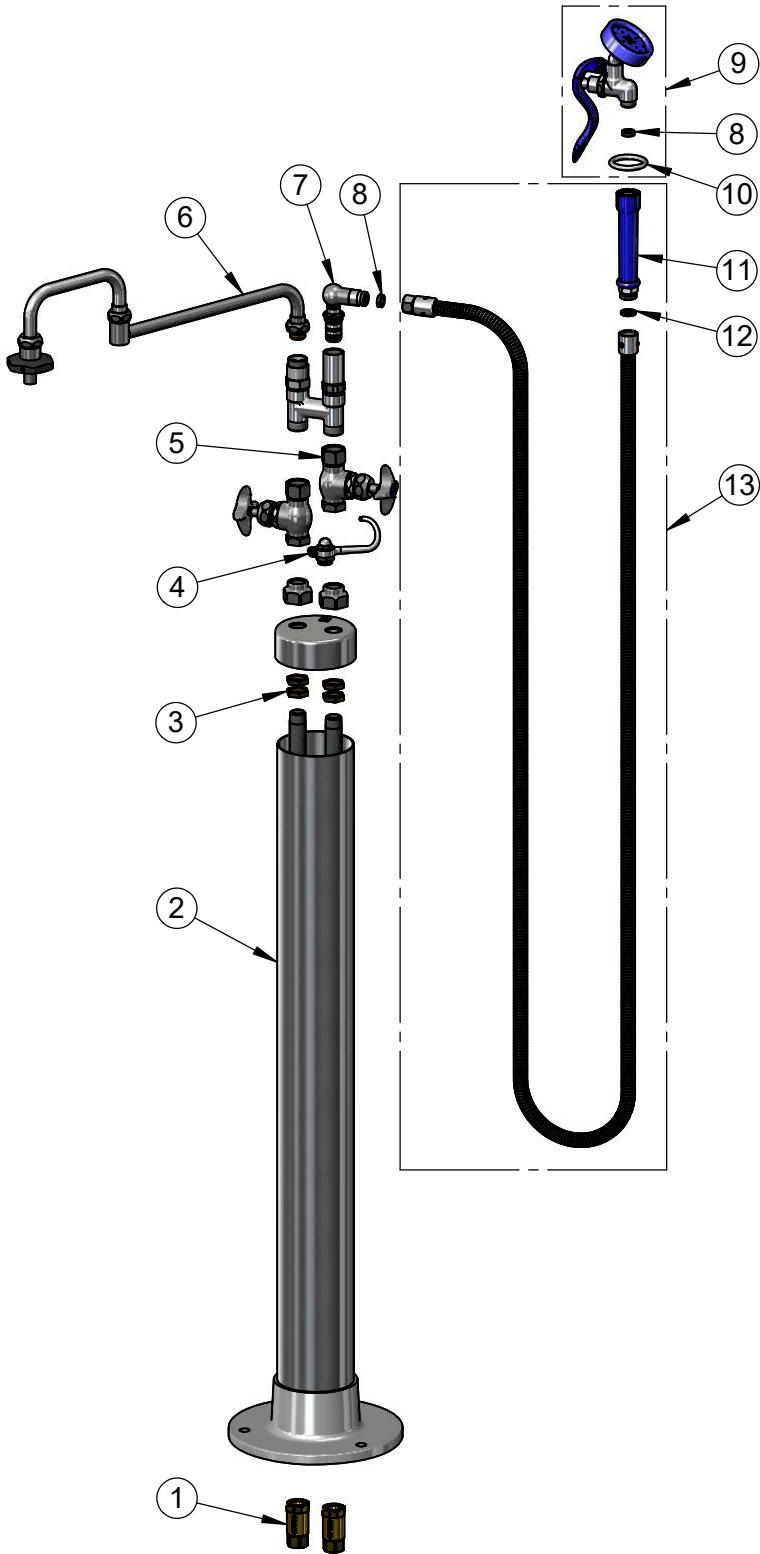
**Product Compliance:**  
ASME A112.18.1 / CSA B125.1  
NSF 61 - Section 9  
NSF 372 (Low Lead Content)  
EPA Act 2005 Non-Compliant (PRSV)



**T&S BRASS AND BRONZE WORKS, INC.**  
 2 Saddleback Cove / P.O. Box 1088  
 Travelers Rest, SC 29690

Model No.  
**B-0182**  
 Item No.

Travelers Rest, SC: 800-476-4103 • Simi Valley, CA: 800-423-0150 • Fax: 864-834-3518 • www.tsbrass.com



ITEM NO.	SALES NO.	DESCRIPTION
1	B-CVH1-2	1/2" Check Valve
2	002847-40	B-0190 Stanchion
3	002954-45	Shank Lock Nut
4	002852-40	Finger Hook & Bolt
5	002901-40	1/2" Shut-Off Valve w/ Union Outlet
6	002848-40	18" Double Joint Swing Nozzle w/ Heat Resistant Handle Outlet
7	002850-40	B-0180 Swivel
8	010476-45	#27 Washer
9	EB-0107-035	High Flow Angled Spray Valve (Blue)
10	000907-45	Spray Valve Hold Down Ring
11	011482-40	Blue Grip Handle
12	001014-45	Washer, B-0100 Hose Barrel
13	EB-0104-H	104" Flexible Stainless Steel Hose w/ Blue Grip Handle

Product Specifications:  
 Kettle Kaddy Combination Kettle Filler and Spray Stanchion, Control Valves, 18" Double Joint Swing Nozzle, On/Off Volume Control, 1/2" Swivel Coupling, 104" Flexible Stainless Steel Hose, High Flow Spray Valve & (2) 1/2" Check Valves

Product Compliance:  
 ASME A112.18.1 / CSA B125.1  
 NSF 61 - Section 9  
 NSF 372 (Low Lead Content)  
 EPA Act 2005 Non-Compliant (PRSV)