



**T&S BRASS AND BRONZE WORKS, INC.**

2 Saddleback Cove / P.O. Box 1088  
Travelers Rest, SC 29690

Model No.

**B-0180**

Item No.

Travelers Rest, SC: 800-476-4103 • Simi Valley, CA: 800-423-0150 • Fax: 864-834-3518 • www.tsbrass.com

This Space for Architect/Engineer Approval

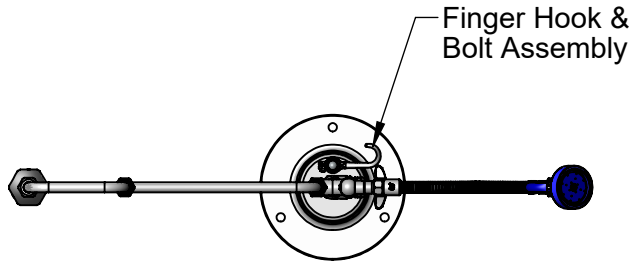
Job Name \_\_\_\_\_ Date \_\_\_\_\_

Model Specified \_\_\_\_\_ Quantity \_\_\_\_\_

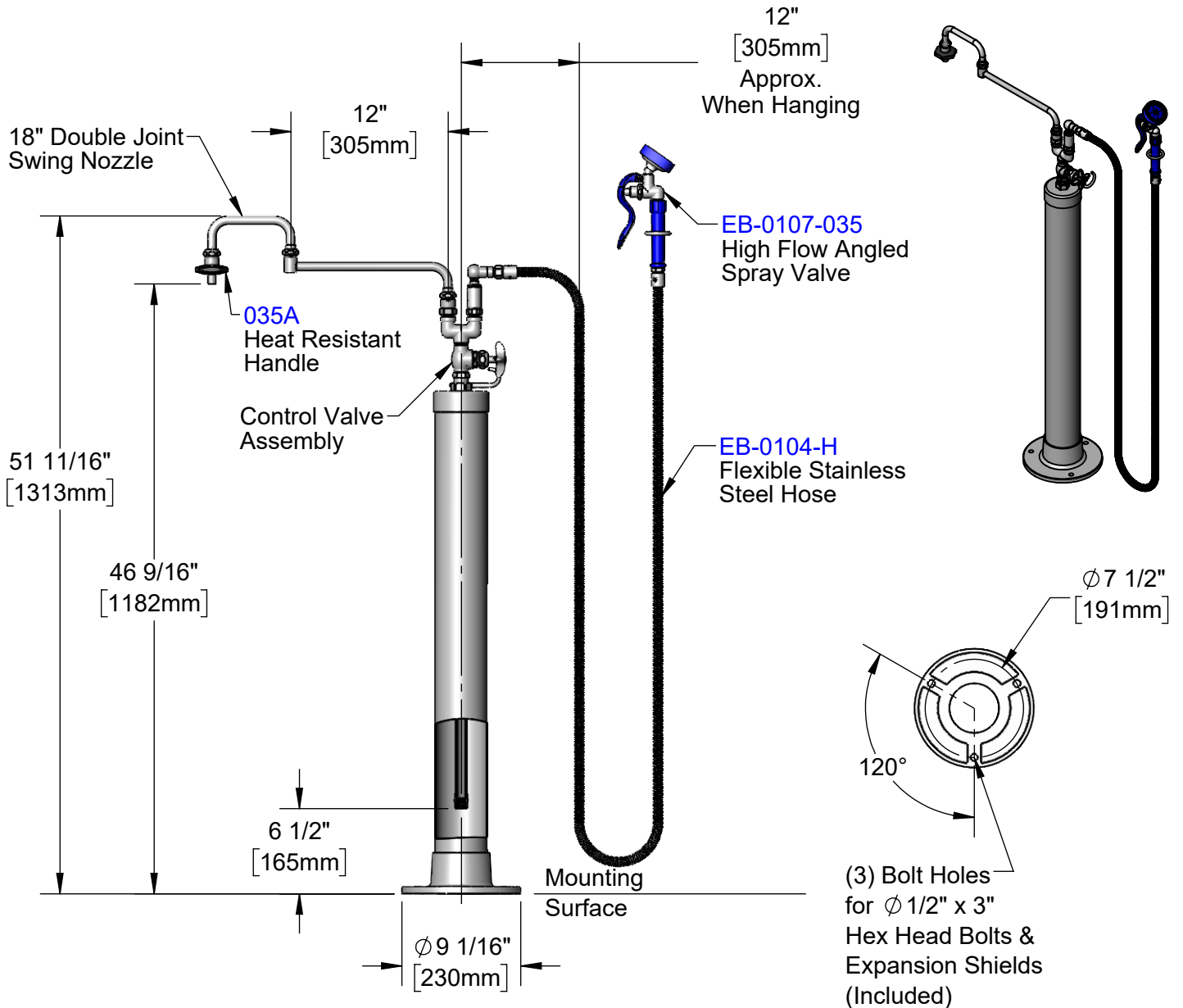
Customer/Wholesaler \_\_\_\_\_

Contractor \_\_\_\_\_

Architect/Engineer \_\_\_\_\_



Finger Hook & Bolt Assembly



Product Specifications:

Kettle Kaddy Combination Kettle Filler Spray Stanchion, Control Valve, 104" Flexible Stainless Steel Hose, 18" Double Joint Swing Nozzle & High Flow Spray Valve

Product Compliance:

ASME A112.18.1 / CSA B125.1  
NSF 61 - Section 9  
NSF 372 (Low Lead Content)  
2019 DOE PRSV Non-Compliant



# T&S BRASS AND BRONZE WORKS, INC.

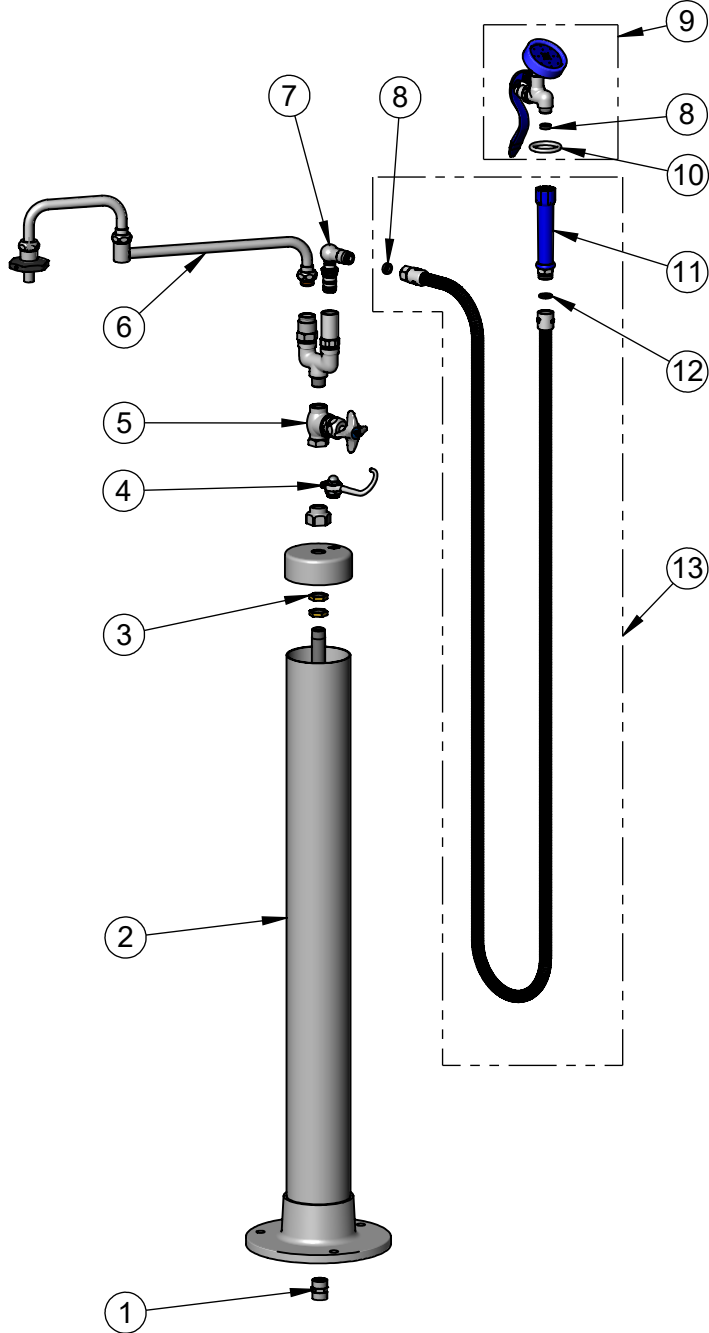
2 Saddleback Cove / P.O. Box 1088  
Travelers Rest, SC 29690

Model No.

**B-0180**

Item No.

Travelers Rest, SC: 800-476-4103 • Simi Valley, CA: 800-423-0150 • Fax: 864-834-3518 • www.tsbrass.com



ITEM NO.	SALES NO.	DESCRIPTION
1	001684-20	Coupling, 1/2"
2	002847-40	B-0190 Stanchion
3	002954-45	Shank Lock Nut
4	002852-40	Finger Hook & Bolt
5	002900-40	1/2" Shut-Off Control Valve
6	002848-40	18" Double Joint Swing Nozzle w/ Heat Resistant Handle
7	002850-40	B-0180 Swivel
8	010476-45	#27 Washer
9	EB-0107-035	High Flow Angled Spray Valve (Blue)
10	000907-45	Spray Valve Hold Down Ring
11	011482-40	Blue Grip Handle
12	001014-45	Washer, Hose Barrel
13	EB-0104-H	104" Flexible Stainless Steel Hose w/ Blue Grip Handle

**Product Specifications:**

Kettle Kaddy Combination Kettle Filler Spray Stanchion, Control Valve, 104" Flexible Stainless Steel Hose, 18" Double Joint Swing Nozzle & High Flow Spray Valve

**Product Compliance:**

ASME A112.18.1 / CSA B125.1  
NSF 61 - Section 9  
NSF 372 (Low Lead Content)  
2019 DOE PRSV Non-Compliant