



# T&S BRASS AND BRONZE WORKS, INC.

2 Saddleback Cove / P.O. Box 1088  
Travelers Rest, SC 29690

Model No.

**B-0177**

Item No.

Travelers Rest, SC: 800-476-4103 • Simi Valley, CA: 800-423-0150 • Fax: 864-834-3518 • www.tsbrass.com

This Space for Architect/Engineer Approval

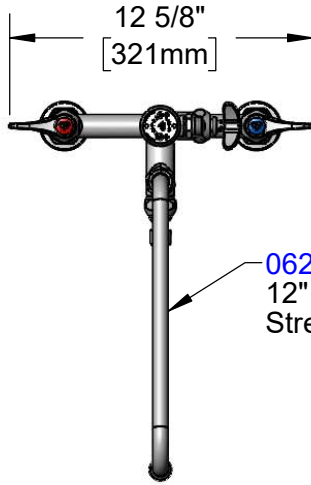
Job Name \_\_\_\_\_ Date \_\_\_\_\_

Model Specified \_\_\_\_\_ Quantity \_\_\_\_\_

Customer/Wholesaler \_\_\_\_\_

Contractor \_\_\_\_\_

Architect/Engineer \_\_\_\_\_



**062X**  
12" Swing Nozzle w/  
Stream Regulator Outlet

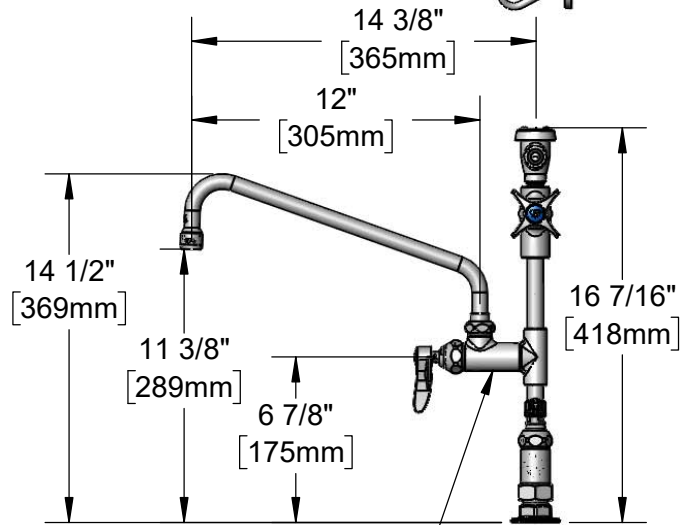
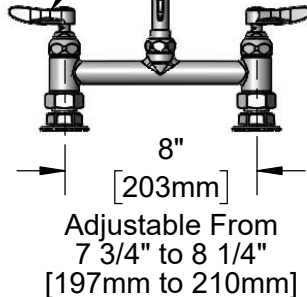
80" Flexible Stainless Steel  
Hose w/ Handle & 1.15 GPM  
Angled Spray Face

Control Valve for  
Water Supply to  
Flexible Stainless  
Steel Hose Only

**B-0104-D**  
Dummy Wall  
Hook w/out  
Inlet Connection

**B-0968**  
3/8" NPT  
Vacuum Breaker

Quarter-Turn Eterna  
Cartridges w/  
Spring Checks &  
Lever Handles w/  
Color Coded Indexes



EasyInstall Add-On  
Faucet w/ Quarter-Turn  
Eterna Cartridge &  
Lever Handle

**Product Specifications:**

8" Deck Mount Mixing Faucet, Quarter-Turn Eterna Cartridges w/ Spring Checks, Lever Handles, Add-On Faucet, 12" Swing Nozzle, Control Valve, Vacuum Breaker, 80" Flexible Stainless Steel Hose, 1.15 GPM Angled Spray Face & 1/2" NPT Female Inlets

**Product Compliance:**

ASME A112.18.1 / CSA B125.1  
NSF 61 - Section 9  
NSF 372 (Low Lead Content)  
ASSE 1001 (VB)



# T&S BRASS AND BRONZE WORKS, INC.

2 Saddleback Cove / P.O. Box 1088  
Travelers Rest, SC 29690

Model No.

**B-0177**

Item No.

Travelers Rest, SC: 800-476-4103 • Simi Valley, CA: 800-423-0150 • Fax: 864-834-3518 • www.tsbrass.com

ITEM NO.	SALES NO.	DESCRIPTION
1	005969-40	1.15 GPM Angled Spray Face
2	010476-45	#27 Washer
3	002987-40	Grip Handle Assembly
4	001014-45	Washer, Hose Barrel
5	B-0104-D	Dummy Wall Hook
6	B-0968	3/8" NPT Vacuum Breaker
7	053A	Adapter, 3/8" NPT x 3/4-14UN
8	002535-25	3/8" Close Nipple
9	012443-40NS	Quarter-Turn Eterna Cartridge w/ Spring Check, RTC
10	002521-45NS	4-Arm Handle (New Style)
11	000360-40	Nipple, 3/8" NPT x 4"
12	EZ-K	EasyInstall Kit
13	001065-45	O-Ring
14	014200-45	Star Washer, Anti-Rotation
15	018506-19NS	Blue Button Index, Press-in
16	000925-45	Lab Handle Screw
17	001638-45NS	Lever Handle (New Style)
18	012442-40NS	Quarter-Turn Eterna Cartridge w/ Spring Check, LTC
19	002711-40NS	Quarter-Turn Eterna Cartridge w/ Spring Check, Handle, Blue Index & Screw, LTC
20	001019-45	Coupling Nut Washer
21	00AA	1/2" NPT Female Eccentric Flange
22	002712-40NS	Quarter-Turn Eterna Cartridge w/ Spring Check, Handle, Red Index & Screw, RTC
23	001193-19NS	Red Button Index, Press-in
24	B-0155-LN	Add-On Faucet, Eterna Cartridge & Lever Handle, Less Nozzle
25	B-PT	Full Flow Stream Regulator, 55/64-27
26	062X	12" Swing Nozzle
27	B-0156-EZ	Add-On Faucet, Eterna Cartridge & Lever Handle, 12" Swing Nozzle

**Product Specifications:**  
8" Deck Mount Mixing Faucet, Quarter-Turn Eterna Cartridges w/ Spring Checks, Lever Handles, Add-On Faucet, 12" Swing Nozzle, Control Valve, Vacuum Breaker, 80" Flexible Stainless Steel Hose, 1.15 GPM Angled Spray Face & 1/2" NPT Female Inlets

**Product Compliance:**  
ASME A112.18.1 / CSA B125.1  
NSF 61 - Section 9  
NSF 372 (Low Lead Content)  
ASSE 1001 (VB)