



T&S BRASS AND BRONZE WORKS, INC.

2 Saddleback Cove / P.O. Box 1088
Travelers Rest, SC 29690

Model No.

B-0176

Item No.

Travelers Rest, SC: 800-476-4103 • Simi Valley, CA: 800-423-0150 • Fax: 864-834-3518 • www.tsbrass.com

This Space for Architect/Engineer Approval

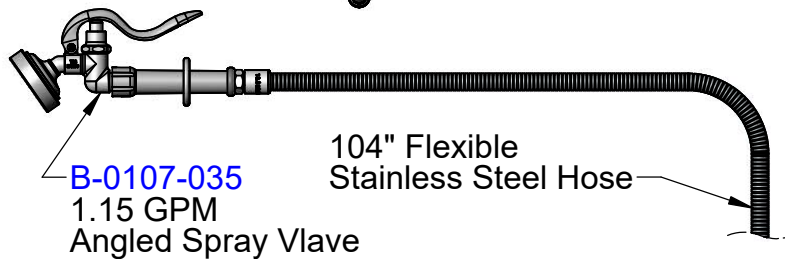
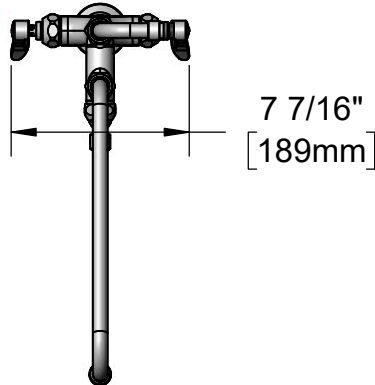
Job Name _____ Date _____

Model Specified _____ Quantity _____

Customer/Wholesaler _____

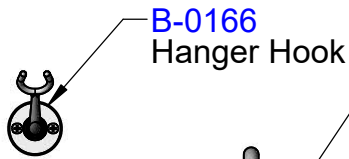
Contractor _____

Architect/Engineer _____



B-0107-035
1.15 GPM
Angled Spray Valve

104" Flexible
Stainless Steel Hose



B-0166
Hanger Hook

90° Swivel
Adapter Arm

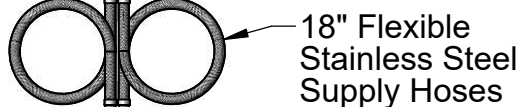
11 5/8"
[295mm]
7 1/8"
[181mm]

Quarter-Turn
Eterna Cartridge
w/ Spring Checks
& Lever Handles
w/ Color Coded
Indexes

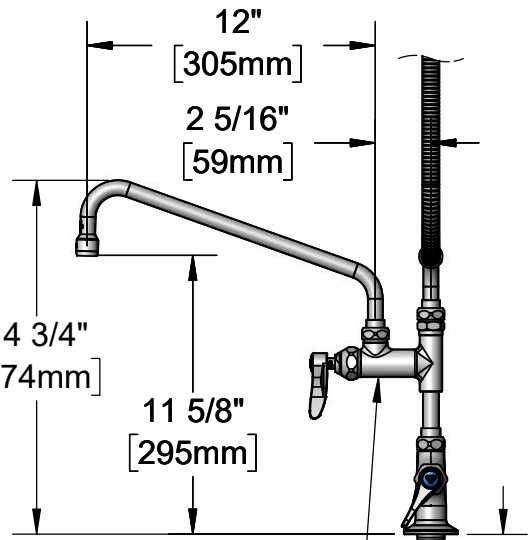
Ø 2 1/4"
[57mm]

Deck Flange

2 5/16"
[59mm]



Compression Fittings
for 5/8" O.D. Copper Tubing
(Remove Compression Nut
for 1/2" NPSM Male)



EasyInstall Add-On Faucet
w/ Quarter-Turn Eterna
Cartridge & Lever Handle

1 7/8"
[48mm]
Maximum
Thickness

Rough-In Requirement:
Ø 1 1/2" [38mm] Mounting Hole

Product Specifications:

Single Hole Deck Mount Mixing Faucet, Quarter-Turn Eterna Cartridges w/ Spring Checks, Lever Handles, 104" Flexible Stainless Steel Hose, 1.15 GPM Angled Spray Valve, Add-On Faucet w/ 12" Swing Nozzle w/ 2.2 GPM Aerator, 90° Swivel Adapter Arm, Wall Hook & 18" Flexible Stainless Steel Supply Hoses w/ 12" NPSM Male Inlets

Product Compliance:

ASME A112.18.1 / CSA B125.1
NSF 61 - Section 9
NSF 372 (Low Lead Content)
2019 DOE PRSV - Class II



T&S BRASS AND BRONZE WORKS, INC.

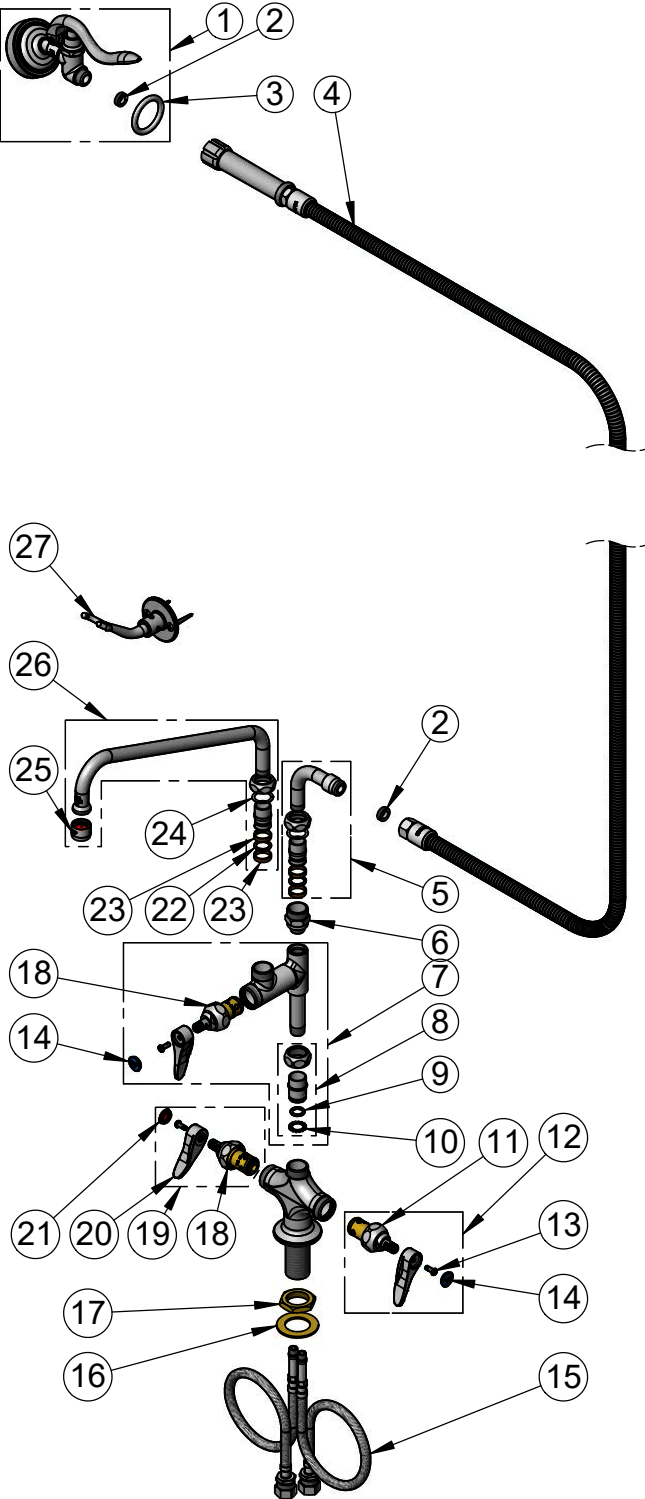
2 Saddleback Cove / P.O. Box 1088
Travelers Rest, SC 29690

Model No.

B-0176

Item No.

Travelers Rest, SC: 800-476-4103 • Simi Valley, CA: 800-423-0150 • Fax: 864-834-3518 • www.tsbrass.com



ITEM NO.	SALES NO.	DESCRIPTION
1	B-0107-035	1.15 GPM Angled Spray Valve
2	010476-45	#27 Washer
3	000907-45	Spray Valve Hold Down Ring
4	B-0104-H	Flexible Stainless Steel Hose
5	034A	90° Swivel Adapter Arm
6	B-0412	Rigid to Swivel Adapter
7	B-0155-LNEZ	EasyInstall Add-On Faucet w/ Quarter-Turn Eterna Cartridge, RTC & Lever Handle, Less Nozzle
8	EZ-K	EasyInstall Kit
9	001065-45	O-Ring
10	014200-45	Star Washer, Anti-Rotation
11	012442-40NS	Eterna Cartridge, LTC
12	002711-40NS	Quarter-Turn Eterna Cartridge w/ Spring Check, Handle, Blue Index & Screw, LTC
13	000925-45	Lab Handle Screw
14	018506-19NS	Blue Button Index, Press-in
15	012534-45	18" Flexible SS Supply Hose (2)
16	002290-45	Lock Washer
17	000965-45	Lock Nut
18	012443-40NS	Quarter-Turn Eterna Cartridge w/ Spring Check, RTC
19	002712-40NS	Quarter-Turn Eterna Cartridge w/ Spring Check, Handle, Red Index & Screw, RTC
20	001638-45NS	Lever Handle (New Style)
21	001193-19NS	Red Button Index, Press-in
22	001074-45	O-Ring
23	011429-45	Swivel Sleeves (2)
24	009538-45	Swivel Washer
25	B-0199-01	2.2 GPM Aerator, 55/64-27 UN Female
26	062X-A22	12" Swing Nozzle w/ 2.2 GPM Aerator
27	B-0166	Wall Hook

Product Specifications:

Single Hole Deck Mount Mixing Faucet, Quarter-Turn Eterna Cartridges w/ Spring Checks, Lever Handles, 104" Flexible Stainless Steel Hose, 1.15 GPM Angled Spray Valve, Add-On Faucet w/ 12" Swing Nozzle w/ 2.2 GPM Aerator, 90° Swivel Adapter Arm, Wall Hook & 18" Flexible Stainless Steel Supply Hoses w/ 12" NPSM Male Inlets

Product Compliance:

ASME A112.18.1 / CSA B125.1
NSF 61 - Section 9
NSF 372 (Low Lead Content)
2019 DOE PRSV - Class II