



T&S BRASS AND BRONZE WORKS, INC.

2 Saddleback Cove / P.O. Box 1088
Travelers Rest, SC 29690

Model No.

B-0175

Item No.

Travelers Rest, SC: 800-476-4103 • Simi Valley, CA: 800-423-0150 • Fax: 864-834-3518 • www.tsbrass.com

This Space for Architect/Engineer Approval

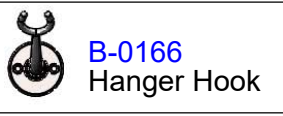
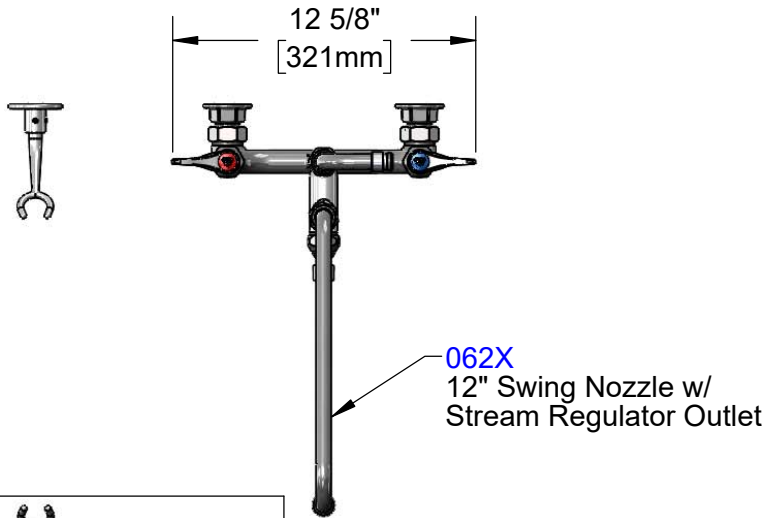
Job Name _____ Date _____

Model Specified _____ Quantity _____

Customer/Wholesaler _____

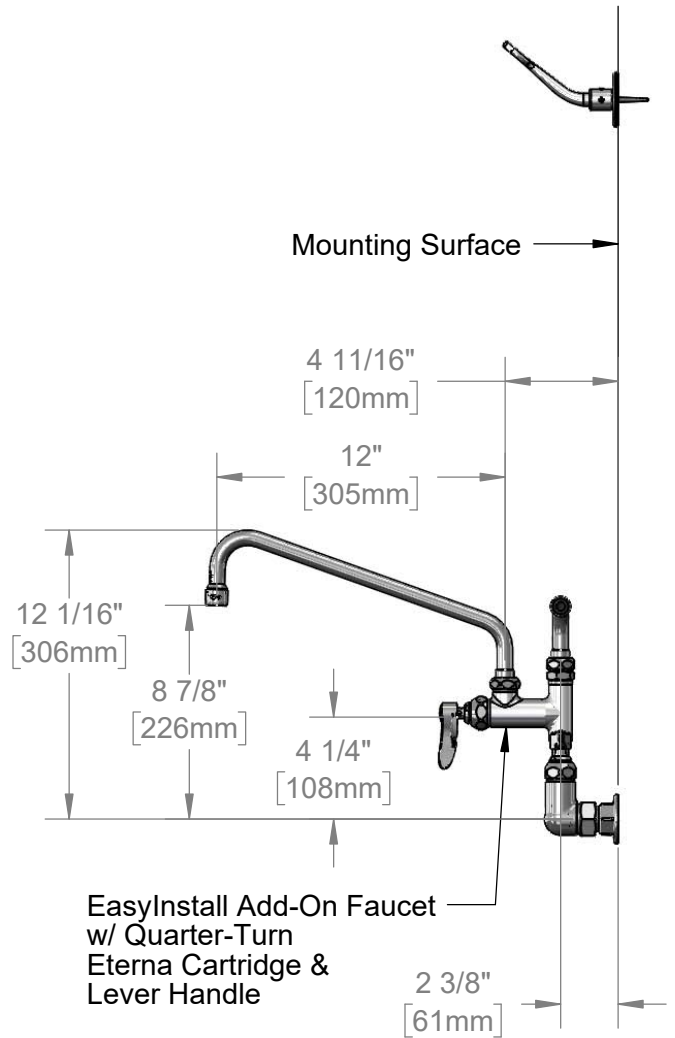
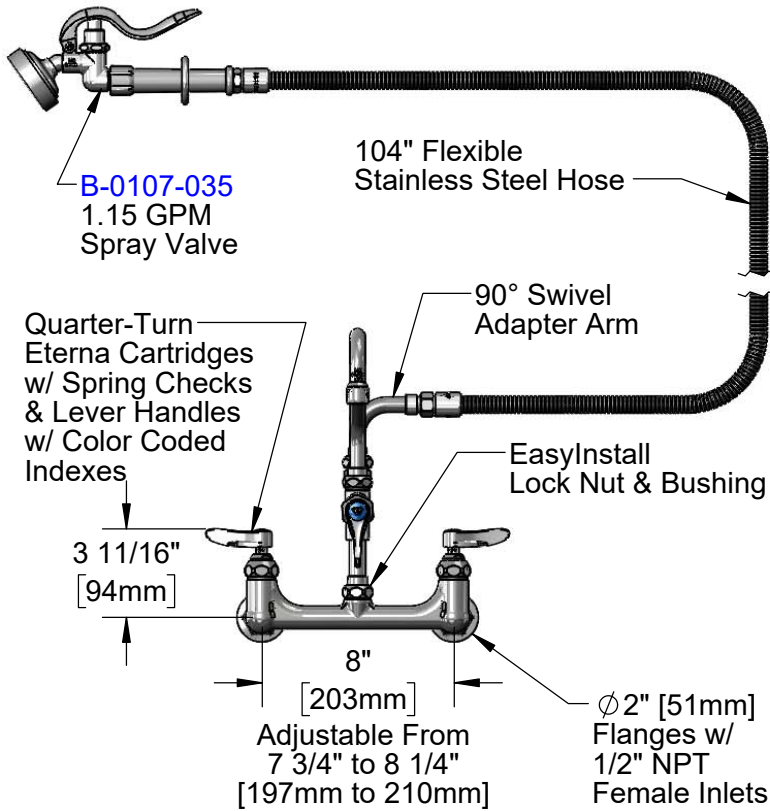
Contractor _____

Architect/Engineer _____



B-0166
Hanger Hook

062X
12" Swing Nozzle w/
Stream Regulator Outlet



Product Specifications:

8" Wall Mount Mixing Faucet, Quarter-Turn Eterna Cartridges w/ Spring Checks, Lever Handles, 104" Flexible Stainless Steel Hose, 1.15 GPM Angled Spray Valve, Add-On Faucet w/ 12" Swing Nozzle, 90° Swivel Adapter Arm, Wall Hook & 1/2" NPT Female Inlets

Product Compliance:

ASME A112.18.1 / CSA B125.1
NSF 61 - Section 9
NSF 372 (Low Lead Content)
2019 DOE PRSV - Class II



T&S BRASS AND BRONZE WORKS, INC.

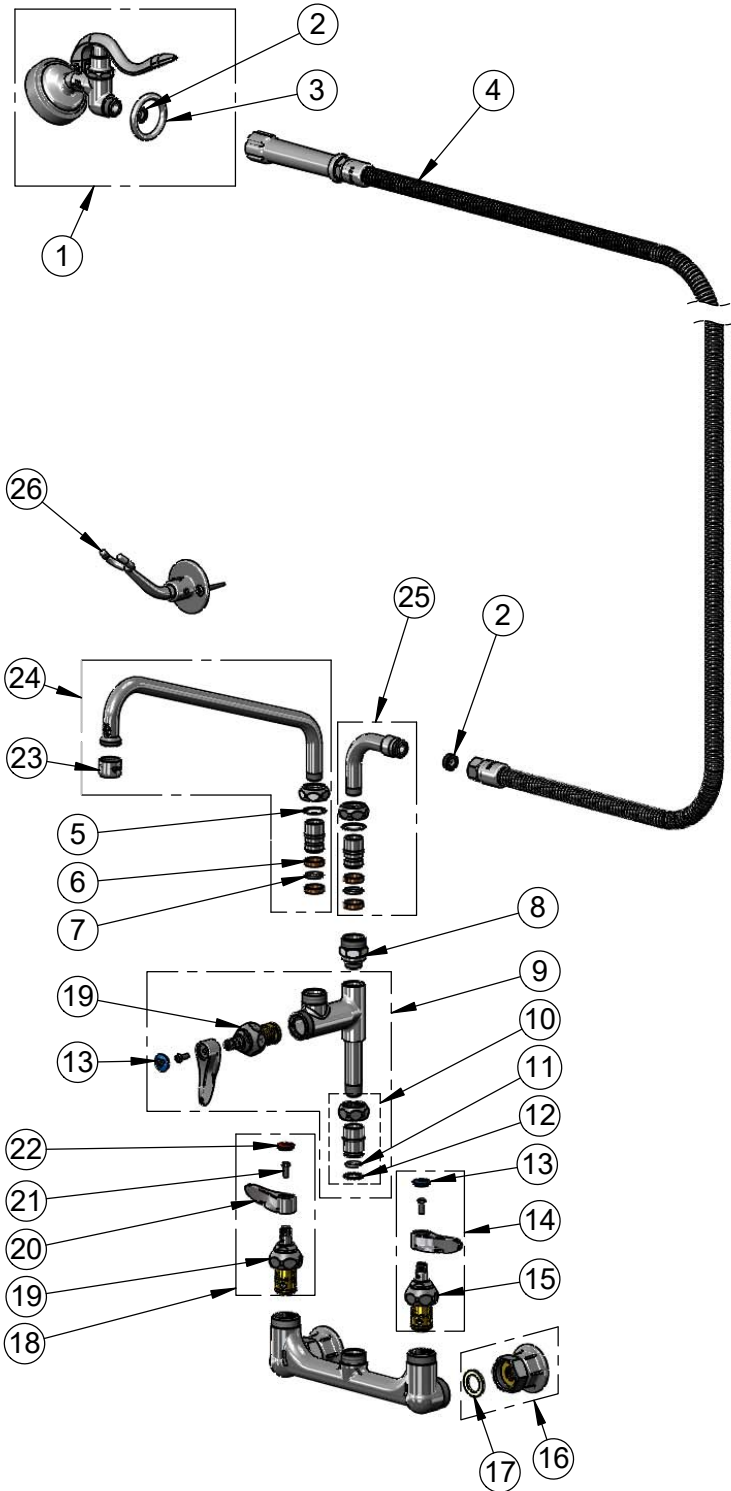
2 Saddleback Cove / P.O. Box 1088
Travelers Rest, SC 29690

Model No.

B-0175

Item No.

Travelers Rest, SC: 800-476-4103 • Simi Valley, CA: 800-423-0150 • Fax: 864-834-3518 • www.tsbrass.com



ITEM NO.	SALES NO.	DESCRIPTION
1	B-0107-035	1.15 GPM Angled Spray Valve
2	010476-45	#27 Washer
3	000907-45	Spray Valve Hold Down Ring
4	B-0104-H	104" Flexible Stainless Steel Hose
5	009538-45	Swivel Washer
6	011429-45	Swivel Sleeves (2)
7	001074-45	O-Ring
8	B-0412	Rigid to Swivel Adapter
9	B-0155-LNEZ	EasyInstall Add-On Faucet -Less Nozzle
10	EZ-K	EasyInstall Kit
11	001065-45	O-Ring
12	014200-45	Star Washer, Anti-Rotation
13	018506-19NS	Blue Button Index, Press-in
14	002711-40NS	Quarter-Turn Eterna Cartridge w/ Spring Check, Handle, Blue Index & Screw, LTC
15	012442-40NS	Quarter-Turn Eterna Cartridge w/ Spring Check, LTC
16	00AA	1/2" NPT Female Eccentric Flange
17	001019-45	Coupling Nut Washer
18	002712-40NS	Quarter-Turn Eterna Cartridge w/ Spring Check, Handle, Red Index & Screw, RTC
19	012443-40NS	Quarter-Turn Eterna Cartridge w/ Spring Check, RTC
20	001638-45NS	Lever Handle (New Style)
21	000925-45	Lab Handle Screw
22	001193-19NS	Red Button Index, Press-in
23	B-PT	Full Flow Stream Regulator, 55/64-27
24	062X	12" Swing Nozzle
25	034A	90° Swivel Adapter Arm
26	B-0166	Wall Hook

Product Specifications:

8" Wall Mount Mixing Faucet, Quarter-Turn Eterna Cartridges w/ Spring Checks, Lever Handles, 104" Flexible Stainless Steel Hose, 1.15 GPM Angled Spray Valve, Add-On Faucet w/ 12" Swing Nozzle, 90° Swivel Adapter Arm, Wall Hook & 1/2" NPT Female Inlets

Product Compliance:

ASME A112.18.1 / CSA B125.1
NSF 61 - Section 9
NSF 372 (Low Lead Content)
2019 DOE PRSV - Class II