



# T&S BRASS AND BRONZE WORKS, INC.

2 Saddleback Cove / P.O. Box 1088  
Travelers Rest, SC 29690

Model No.

**B-0175-A12CR-PF**

Item No.

Travelers Rest, SC: 800-476-4103 • Simi Valley, CA: 800-423-0150 • Fax: 864-834-3518 • www.tsbrass.com

This Space for Architect/Engineer Approval

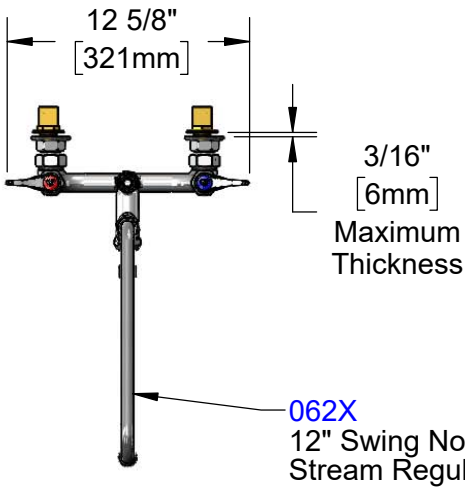
Job Name \_\_\_\_\_ Date \_\_\_\_\_

Model Specified \_\_\_\_\_ Quantity \_\_\_\_\_

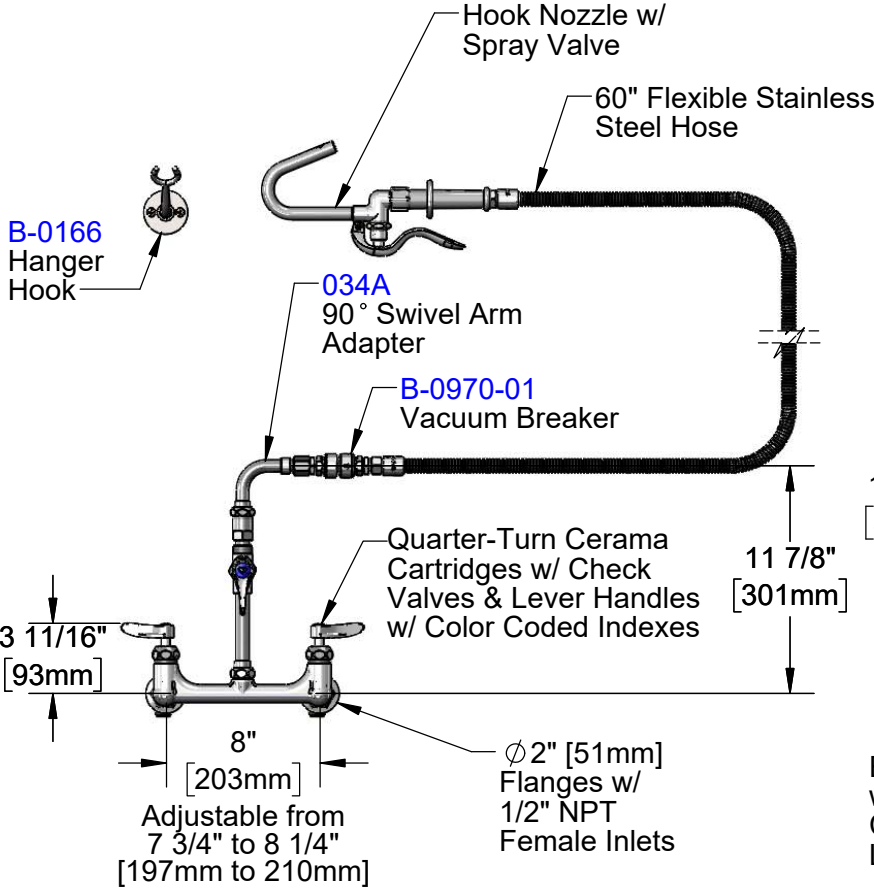
Customer/Wholesaler \_\_\_\_\_

Contractor \_\_\_\_\_

Architect/Engineer \_\_\_\_\_



**062X**  
12" Swing Nozzle w/  
Stream Regulator Outlet



**B-0166**  
Hanger  
Hook

**034A**  
90° Swivel Arm  
Adapter

**B-0970-01**  
Vacuum Breaker

Quarter-Turn Cerama  
Cartridges w/ Check  
Valves & Lever Handles  
w/ Color Coded Indexes

ϕ2" [51mm]  
Flanges w/  
1/2" NPT  
Female Inlets

Adjustable from  
7 3/4" to 8 1/4"  
[197mm to 210mm]

Mounting Surface

2 3/8"  
[61mm]

2 5/16"  
[59mm]

12"  
[305mm]

14 1/16"  
[357mm]

10 7/8"  
[277mm]

6 7/16"  
[163mm]

EasyInstall Add-On Faucet  
w/ Quarter-Turn Cerama  
Cartridge w/ Check Valve &  
Lever Handle

**B-0230-K**  
Short Elbow Installation  
Kit w/ 1/2" NPT Male Inlets

Rough-In Requirements:  
ϕ 1 1/2" [38mm] Mounting Hole

Product Specifications:  
Double Pantry Deck Mount Faucet, Quarter-Turn Cerama Cartridges w/ Check Valves, Add-On Faucet, 12" Swing Nozzle, Stream Regulator Outlet, Hook Nozzle w/ Spray Valve, 60" Flexible Stainless Steel Hose, Vacuum Breaker & Short Elbow Installation Kit w/ 1/2" NPT Male Inlets

Product Compliance:  
ASME A112.18.1 / CSA B125.1  
NSF 61 - Section 9  
NSF 372 (Low Lead Content)  
EPA Act 2005 Non-Compliant (PRSV)  
CSA B64.8 (VB)



# T&S BRASS AND BRONZE WORKS, INC.

2 Saddleback Cove / P.O. Box 1088  
Travelers Rest, SC 29690

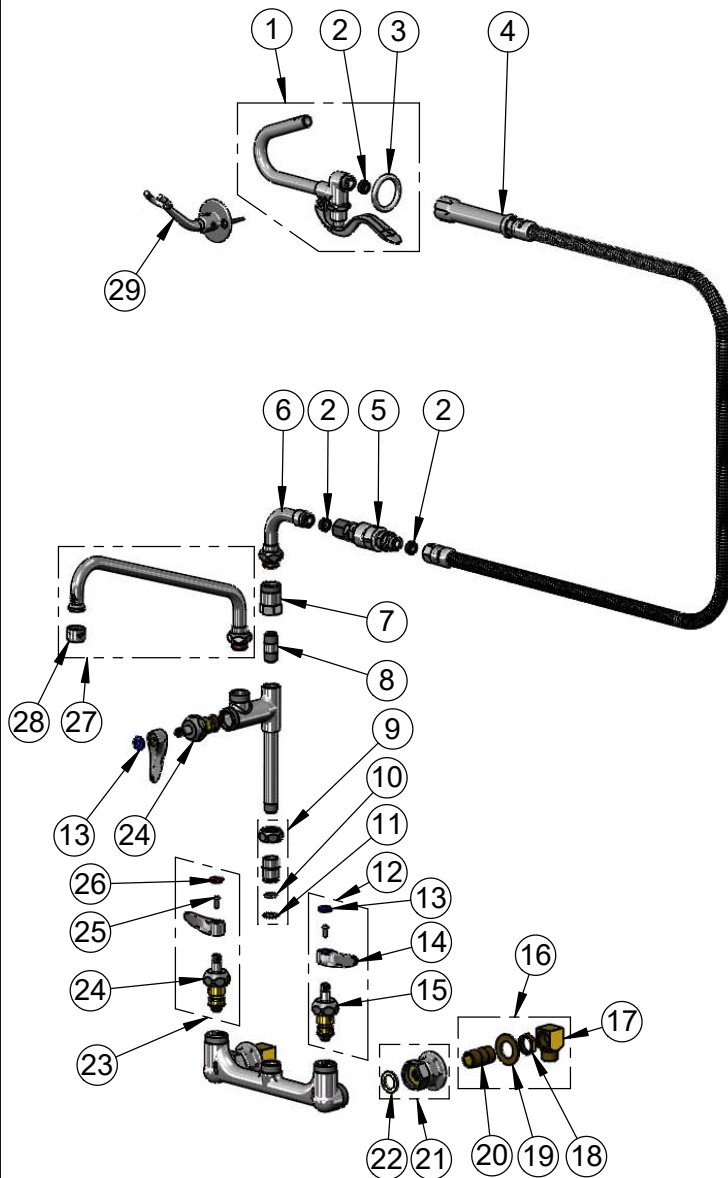
Model No.

**B-0175-A12CR-PF**

Item No.

Travelers Rest, SC: 800-476-4103 • Simi Valley, CA: 800-423-0150 • Fax: 864-834-3518 • www.tsbrass.com

ITEM NO.	SALES NO.	DESCRIPTION
1	002851-40	Hook Nozzle & Spray Valve
2	010476-45	#27 Washer
3	000907-45	Spray Valve Hold Down Ring
4	B-0060-H	60" Flexible Stainless Steel Hose
5	B-0970-01	Vacuum Breaker
6	053A	Adapter, 3/8" NPT Male
7	054X	Swivel Body
8	002341-40	Nipple, 3/8" NPT x 1-1/2"
9	EZ-K	EasyInstall Kit: Nut, Bushing, O-Ring & Lock Washer
10	001065-45	O-Ring
11	014200-45	Star Washer, Anti-Rotation
12	012447-25NS	Quarter-Turn Cerama Cartridge w/ Check Valve, Handle, Blue Index & Screw, LTC
13	018506-19NS	Blue Button Index, Press-in
14	001638-45NS	Lever Handle (New Style)
15	012395-25NS	Quarter-Turn Cerama Cartridge w/ Check Valve, LTC
16	B-0230-K	Short Elbow Installation Kit
17	B-1100-K	1/2" NPT Male Inlet Elbow
18	002954-45	Shank Lock Nut
19	000999-45	Brass Lock Washer
20	013357-20	1/2" NPT x 1-5/8" Lg. Close Nipple
21	00AA	1/2" NPT Female Eccentric Flange
22	001019-45	Coupling Nut Washer
23	012446-25NS	Quarter-Turn Cerama Cartridge w/ Check Valve, Handle, Red Index & Screw, RTC
24	012394-25NS	Quarter-Turn Cerama Cartridge w/ Check Valve, RTC
25	000925-45	Lab Handle Screw
26	001193-19NS	Red Button Index, Press-in
27	062X	12" Swing Nozzle
28	B-PT	Full Flow Stream Regulator, 55/64-27
29	B-0166	Hanger Hook



**Product Specifications:**  
 Double Pantry Deck Mount Faucet, Quarter-Turn Cerama Cartridges w/ Check Valves, Add-On Faucet, 12" Swing Nozzle, Stream Regulator Outlet, Hook Nozzle w/ Spray Valve, 60" Flexible Stainless Steel Hose, Vacuum Breaker & Short Elbow Installation Kit w/ 1/2" NPT Male Inlets

**Product Compliance:**  
 ASME A112.18.1 / CSA B125.1  
 NSF 61 - Section 9  
 NSF 372 (Low Lead Content)  
 EPA Act 2005 Non-Compliant (PRSV)  
 CSA B64.8 (VB)