



T&S BRASS AND BRONZE WORKS, INC.
 2 Saddleback Cove / P.O. Box 1088
 Travelers Rest, SC 29690

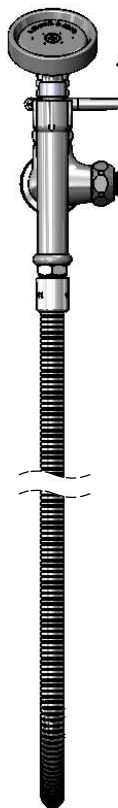
Model No.
B-0170

Item No.

Travelers Rest, SC: 800-476-4103 • Simi Valley, CA: 800-423-0150 • Fax: 864-834-3518 • www.tsbrass.com

This Space for Architect/Engineer Approval

Job Name _____ Date _____
 Model Specified _____ Quantity _____
 Customer/Wholesaler _____
 Contractor _____
 Architect/Engineer _____



Finger Hook

Quarter-Turn Eterna Cartridge w/ Spring Check & 4-Arm Handle w/ Blue Color Coded Index

1.15 GPM Angled Spray Head

68" Flexible Stainless Steel Hose

B-0968
 3/8" NPT Vacuum Breaker

5 9/16" [141mm]

2 9/16" [66mm]

5 3/16" [131mm]

Ø2" [51mm] Flange w/ 1/2" NPT Female Inlet

Mounting Surface

Product Specifications:

Single Hole, Single Temperature Wall Mount Faucet w/ Quarter-Turn Eterna Cartridge w/ Spring Check, 4-Arm Handle w/ Blue Color Coded Index, 3/8" NPT Vacuum Breaker, 68" Flexible Stainless Steel Hose, 1.15 GPM Angled Spray Head & 1/2" NPT Female Inlet

Product Compliance:

ASME A112.18.1 / CSA B125.1
 NSF 61 - Section 9
 NSF 372 (Low Lead Content)
 ASSE 1001 (VB)



T&S BRASS AND BRONZE WORKS, INC.

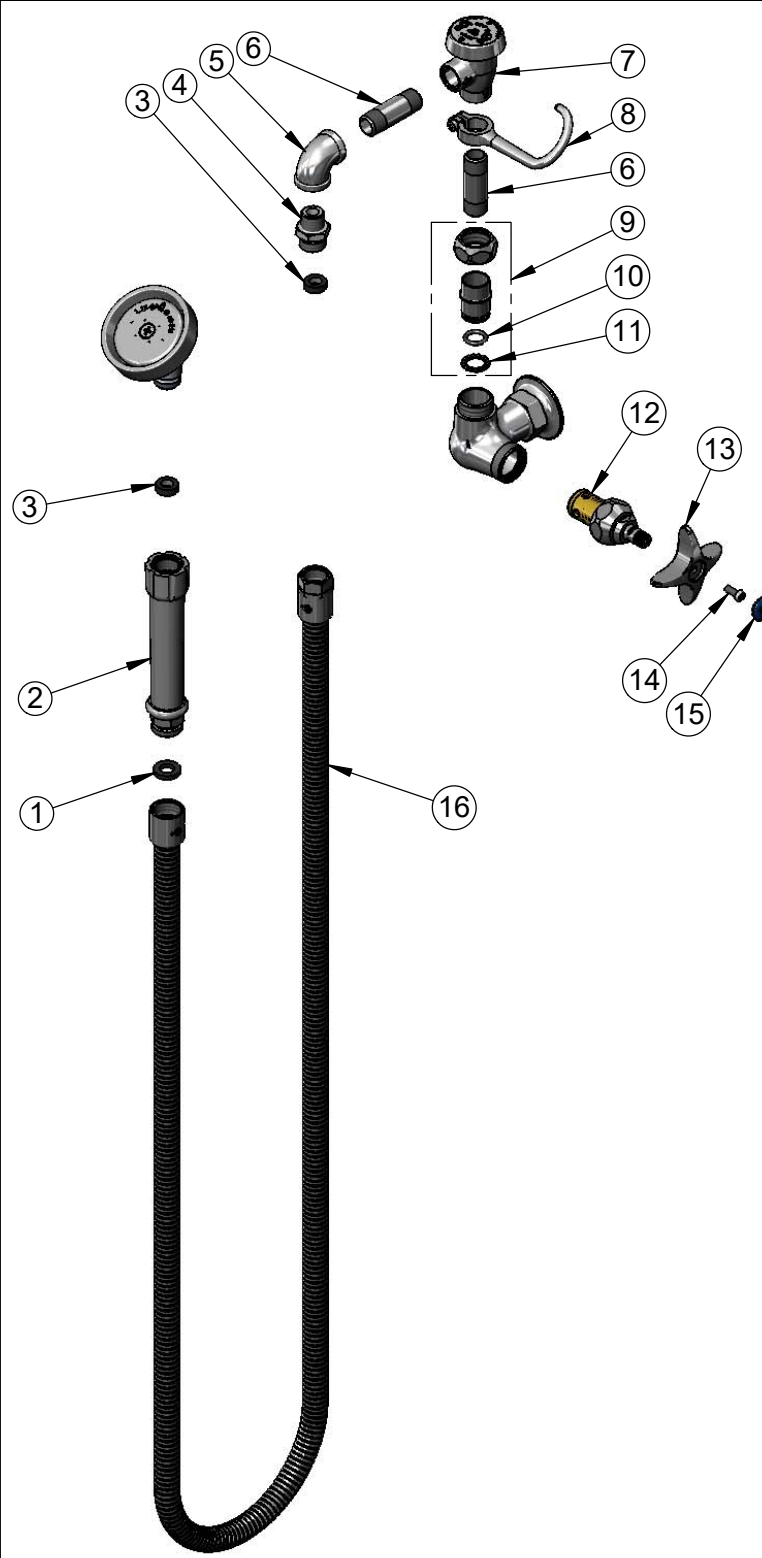
2 Saddleback Cove / P.O. Box 1088
Travelers Rest, SC 29690

Model No.

B-0170

Item No.

Travelers Rest, SC: 800-476-4103 • Simi Valley, CA: 800-423-0150 • Fax: 864-834-3518 • www.tsbrass.com



ITEM NO.	SALES NO.	DESCRIPTION
1	001014-45	Washer, B-0100 Hose Barrel
2	002987-40	Grip Handle
3	010476-45	#27 Washer
4	053A	Adapter, 3/8" NPT Male
5	001355-40	Elbow, 3/8 NPT
6	000357-40	Nipple, 3/8" NPT x 2"
7	B-0968	3/8" NPT Vacuum Breaker
8	004R	Finger Hook
9	EZ-K	EasyInstall Kit
10	006562-45	O-ring
11	014200-45	Star Washer, Anti-Rotation
12	012443-40NS	Quarter-Turn Eterna Cartridge w/ Spring Check, RTC
13	002521-45NS	4-Arm Handle (New Style)
14	000925-45	Lab Handle Screw
15	018506-19NS	Blue Button Index, Press-in
16	B-0068-H2A	68" Flexible Stainless Steel Hose, Less Handle

Product Specifications:

Single Hole, Single Temperature Wall Mount Faucet w/ Quarter-Turn Eterna Cartridge w/ Spring Check, 4-Arm Handle w/ Blue Color Coded Index, 3/8" NPT Vacuum Breaker, 68" Flexible Stainless Steel Hose, 1.15 GPM Angled Spray Head & 1/2" NPT Female Inlet

Product Compliance:

ASME A112.18.1 / CSA B125.1
NSF 61 - Section 9
NSF 372 (Low Lead Content)
ASSE 1001 (VB)