



**T&S BRASS AND BRONZE WORKS, INC.**  
 2 Saddleback Cove / P.O. Box 1088  
 Travelers Rest, SC 29690

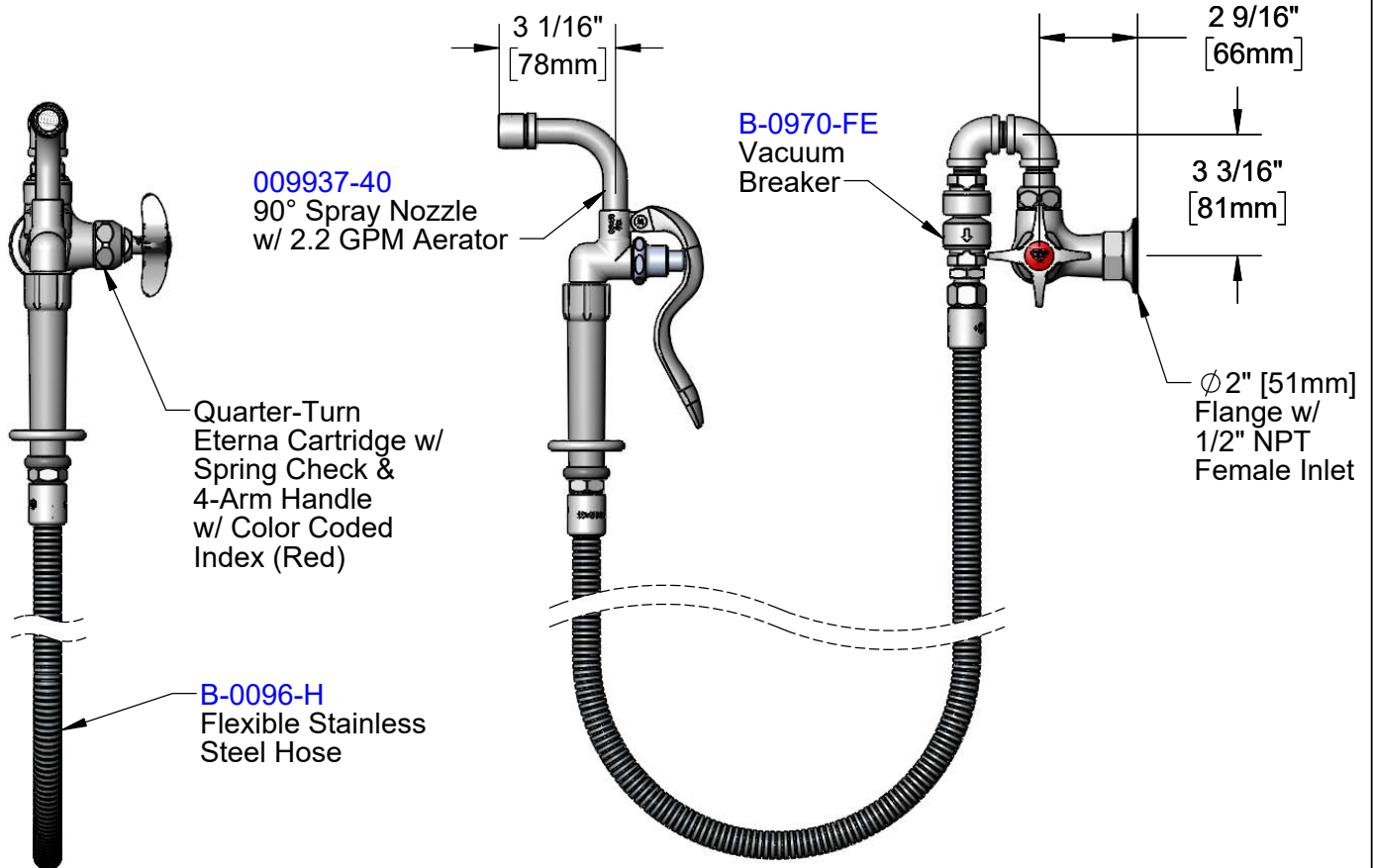
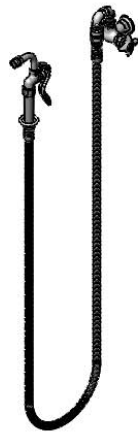
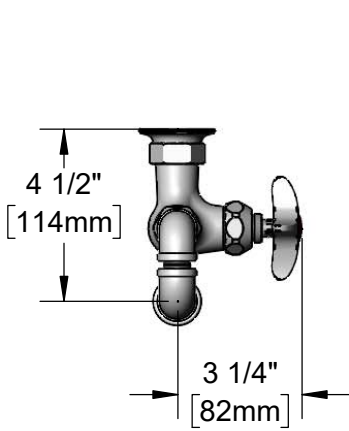
Model No.  
**B-0169-102C-96H**

Item No.

Travelers Rest, SC: 800-476-4103 • Simi Valley, CA: 800-423-0150 • Fax: 864-834-3518 • www.tsbrass.com

This Space for Architect/Engineer Approval

Job Name \_\_\_\_\_ Date \_\_\_\_\_  
 Model Specified \_\_\_\_\_ Quantity \_\_\_\_\_  
 Customer/Wholesaler \_\_\_\_\_  
 Contractor \_\_\_\_\_  
 Architect/Engineer \_\_\_\_\_



**Product Specifications:**  
 Wall Mount Single Faucet, Quarter-Turn Eterna Cartridge w/ Spring Check, 96" Flexible Stainless Steel Hose, 90° Spray Nozzle w/ 2.2 GPM Aerator, Vacuum Breaker, Wall Hook & 1/2" NPT Female Inlet

**Product Compliance:**  
 ASME A112.18.1 / CSA B125.1  
 NSF 61 - Section 9  
 NSF 372 (Low Lead Content)  
 2019 DOE PRSV Non-Compliant  
 CSA B64.8 (VB)



# T&S BRASS AND BRONZE WORKS, INC.

2 Saddleback Cove / P.O. Box 1088  
Travelers Rest, SC 29690

Model No.

**B-0169-102C-96H**

Item No.

Travelers Rest, SC: 800-476-4103 • Simi Valley, CA: 800-423-0150 • Fax: 864-834-3518 • www.tsbrass.com

ITEM NO.	SALES NO.	DESCRIPTION
1	009937-40	90° Spray Nozzle w/ 2.2 GPM Aerator
2	000907-45	Spray Valve Hold Down Ring
3	010476-45	#27 Washer
4	B-0199-01	2.2 GPM Aerator, 55/64-27 UN Female
5	000554-25	Adapter, 55/64-27 Male x 5/8-27 Female
6	053A	Adapter, 3/8" NPT Male
7	B-0970-FE	3/8" NPT Vacuum Breaker
8	002535-25	3/8" Close Nipple
9	001355-40	Elbow, 3/8 NPT
10	002341-40	Nipple, 3/8" NPT x 1-1/2"
11	EZ-K	EasyInstall Kit
12	006562-45	O-ring
13	014200-45	Star Washer, Anti-Rotation
14	012443-40NS	Quarter-Turn Eterna Cartridge w/ Spring Check, RTC
15	002521-45NS	4-Arm Handle (New Style)
16	000925-45	Lab Handle Screw
17	001193-19NS	Red Button Index, Press-in
18	B-0096-H	96" Flexible Stainless Steel Hose
19	B-0166	Wall Hook w/ Mounting Hardware



**Product Specifications:**

Wall Mount Single Faucet, Quarter-Turn Eterna Cartridge w/ Spring Check, 96" Flexible Stainless Steel Hose, 90° Spray Nozzle w/ 2.2 GPM Aerator, Vacuum Breaker, Wall Hook & 1/2" NPT Female Inlet

**Product Compliance:**

ASME A112.18.1 / CSA B125.1  
NSF 61 - Section 9  
NSF 372 (Low Lead Content)  
2019 DOE PRSV Non-Compliant  
CSA B64.8 (VB)