



T&S BRASS AND BRONZE WORKS, INC.

2 Saddleback Cove / P.O. Box 1088
Travelers Rest, SC 29690

Model No.

B-0165

Item No.

Travelers Rest, SC: 800-476-4103 • Simi Valley, CA: 800-423-0150 • Fax: 864-834-3518 • www.tsbrass.com

This Space for Architect/Engineer Approval

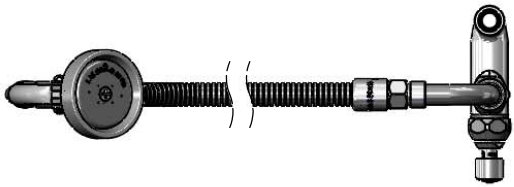
Job Name _____ Date _____

Model Specified _____ Quantity _____

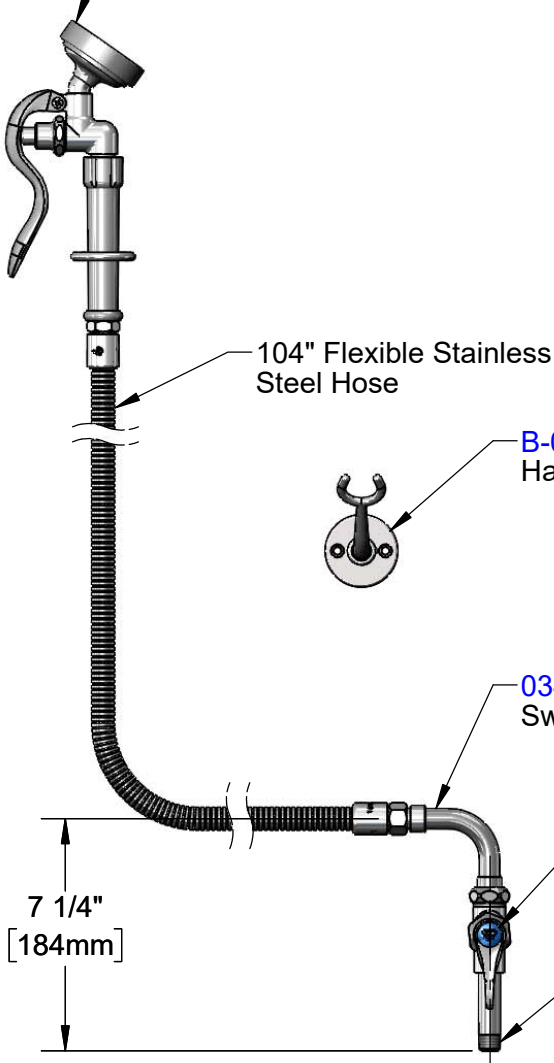
Customer/Wholesaler _____

Contractor _____

Architect/Engineer _____



B-0107-035
1.15 GPM
Angled Spray Valve



104" Flexible Stainless Steel Hose

B-0166
Hanger Hook

034A
Swivel Adapter

Quarter-Turn Eterna Cartridge w/ Spring Check, Lever Handle & Blue Index

3/8" NPT Male Inlet. Converts to EasyInstall to Fit T&S Standard Swivel Outlets with Conversion Kit, **EZ-K** (sold separately).

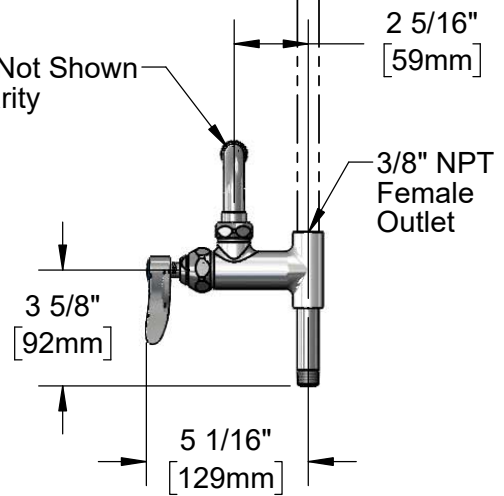
7 1/4" [184mm]

Notes:

1. The Add-On Faucet is an Addition to Pre-Rinse Units and is Installed in Outlets of Base Mixing Faucets of Units Before Fitting Riser Pipes
2. 4-Arm Handle Controls Water On-Off Thru Washdown Hose Only. Pressure is Always "On" in the Riser Pipe (Controlled by Base Mixing Faucet)

Pre-Rinse Riser (Sold Separately)

Items Not Shown for Clarity



2 5/16" [59mm]

3/8" NPT Female Outlet

3 5/8" [92mm]

5 1/16" [129mm]

Product Specifications:

Washdown Hose Unit, Quarter-Turn Eterna Cartridge w/ Spring Check, Lever Handle, 104" Flexible Stainless Steel Hose, 1.15 GPM Angled Spray Valve & Hanger Hook

Product Compliance:

ASME A112.18.1 / CSA B125.1
NSF 61 - Section 9
NSF 372 (Low Lead Content)
2019 DOE PRSV - Class II

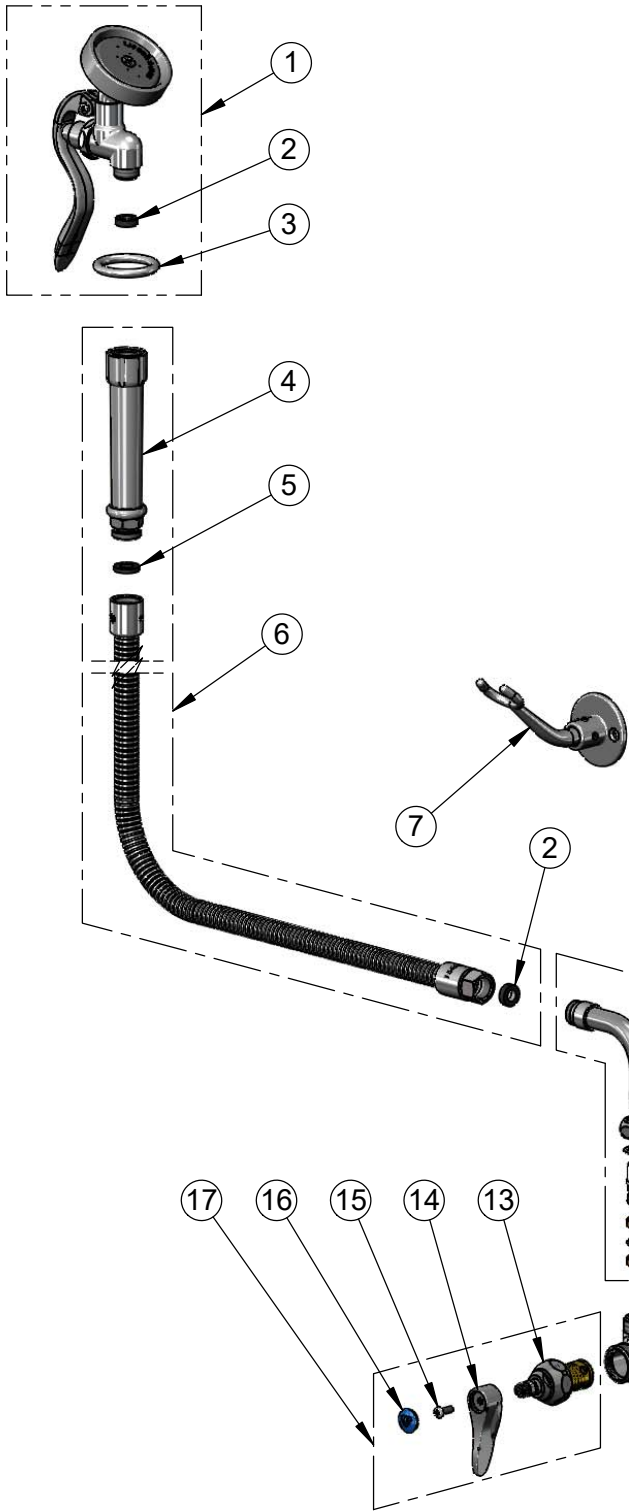


T&S BRASS AND BRONZE WORKS, INC.
 2 Saddleback Cove / P.O. Box 1088
 Travelers Rest, SC 29690

Model No.
B-0165

Item No.

Travelers Rest, SC: 800-476-4103 • Simi Valley, CA: 800-423-0150 • Fax: 864-834-3518 • www.tsbrass.com



ITEM NO.	SALES NO.	DESCRIPTION
1	B-0107-035	1.15 GPM Angled Spray Valve
2	010476-45	#27 Washer
3	000907-45	Spray Valve Hold Down Ring
4	002987-40	Grip Handle
5	001014-45	Washer, B-0100 Hose Barrel
6	B-0104-H	104" Flexible Stainless Steel Hose w/ Grip Handle
7	B-0166	Wall Hook
8	034A	Swivel Adapter
9	009538-45	Swivel Washer
10	011429-45	Swivel Sleeves (2)
11	001074-45	O-Ring
12	000358-40	Nipple, 3/8" NPT x 3"
13	012443-40NS	Quarter-Turn Eterna Cartridge w/ Spring Check, RTC
14	001638-45NS	Lever Handle (New Style)
15	000925-45	Lab Handle Screw
16	018506-19NS	Blue Button Index, Press-in
17	019639-40	Quarter-Turn Eterna Cartridge w/ Spring Check, Handle, Blue Index & Screw, RTC

Product Specifications:
 Washdown Hose Unit, Quarter-Turn Eterna Cartridge w/ Spring Check, Lever Handle, 104" Flexible Stainless Steel Hose, 1.15 GPM Angled Spray Valve & Hanger Hook

Product Compliance:
 ASME A112.18.1 / CSA B125.1
 NSF 61 - Section 9
 NSF 372 (Low Lead Content)
 2019 DOE PRSV - Class II