



T&S BRASS AND BRONZE WORKS, INC.

2 Saddleback Cove / P.O. Box 1088
Travelers Rest, SC 29690

Model No.

B-0134

Item No.

Travelers Rest, SC: 800-476-4103 • Simi Valley, CA: 800-423-0150 • Fax: 864-834-3518 • www.tsbrass.com

This Space for Architect/Engineer Approval

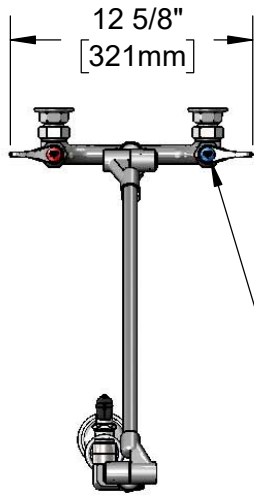
Job Name _____ Date _____

Model Specified _____ Quantity _____

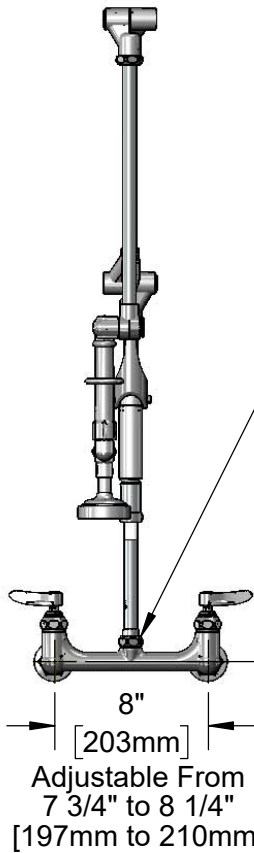
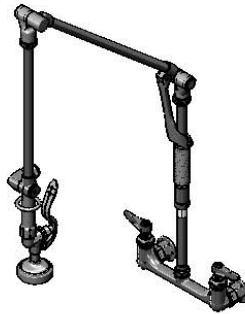
Customer/Wholesaler _____

Contractor _____

Architect/Engineer _____

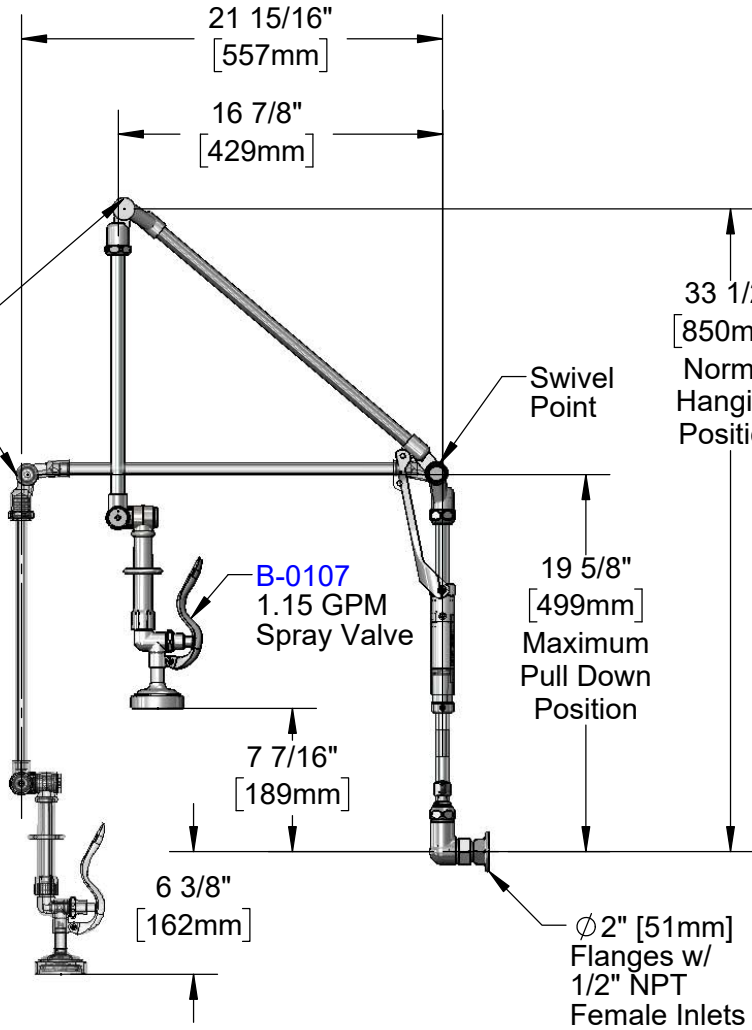


Quarter-Turn
Eterna Cartridges w/
Spring Check &
Lever Handles w/
Color Coded Indexes



EasyInstall
Lock Nut &
Bushing

Swivel Point



Swivel Point

B-0107
1.15 GPM
Spray Valve

19 5/8"
[499mm]
Maximum
Pull Down
Position

33 1/2"
[850mm]
Normal
Hanging
Position

Ø2" [51mm]
Flanges w/
1/2" NPT
Female Inlets

Product Specifications:

Pre-Rinse Unit: 8" Wall Mount Mixing Faucet, Quarter-Turn Eterna Cartridges w/ Spring Checks, Lever Handles, Retractable Swivel Arm, 1.15 GPM Spray Valve & 1/2" NPT Female Inlets

Product Compliance:

ASME A112.18.1 / CSA B125.1
NSF 61 - Section 9
NSF 372 (Low Lead Content)
2019 DOE PRSV - Class II

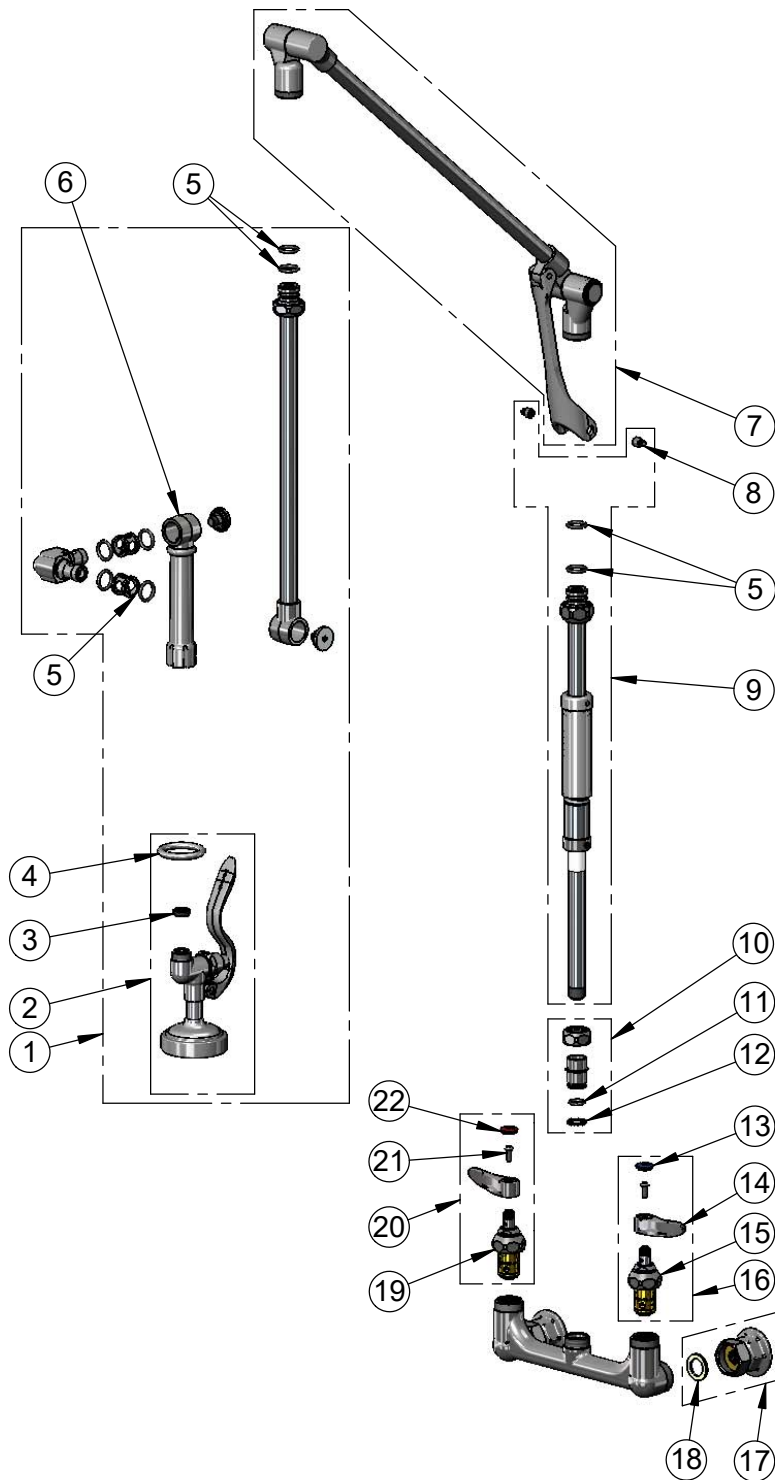


T&S BRASS AND BRONZE WORKS, INC.
 2 Saddleback Cove / P.O. Box 1088
 Travelers Rest, SC 29690

Model No.
B-0134

Item No.

Travelers Rest, SC: 800-476-4103 • Simi Valley, CA: 800-423-0150 • Fax: 864-834-3518 • www.tsbrass.com



ITEM NO.	SALES NO.	DESCRIPTION
1	009184-40	Down Pipe w/ Spray Valve
2	B-0107	1.15 GPM Spray Valve
3	010476-45	#27 Washer
4	000907-45	Spray Valve Hold Down Ring
5	001060-45	O-Ring
6	002897-40	Grip Handle w/ Knuckle
7	009490-40	Upper Arm
8	000941-45	Cap Screw
9	009178-40	24" Knuckle Riser
10	EZ-K	EasyInstall Kit
11	001065-45	O-ring
12	014200-45	Star Washer, Anti-Rotation
13	018506-19NS	Blue Button Index, Press-in
14	001638-45NS	Lever Handle (New Style)
15	012442-40NS	Quarter-Turn Eterna Cartridge w/ Spring Check, LTC
16	002711-40NS	Quarter-Turn Eterna Cartridge w/ Spring Check, Handle, Blue Index & Screw, LTC
17	00AA	1/2" NPT Female Eccentric Flange
18	001019-45	Coupling Nut Washer
19	012443-40NS	Quarter-Turn Eterna Cartridge w/ Spring Check, RTC
20	002712-40NS	Quarter-Turn Eterna Cartridge w/ Spring Check, Handle, Red Index & Screw, RTC
21	000925-45	Lab Handle Screw
22	001193-19NS	Red Button Index, Press-in

Product Specifications:
 Pre-Rinse Unit: 8" Wall Mount Mixing Faucet, Quarter-Turn Eterna Cartridges w/ Spring Checks, Lever Handles, Retractable Swivel Arm, 1.15 GPM Spray Valve & 1/2" NPT Female Inlets

Product Compliance:
 ASME A112.18.1 / CSA B125.1
 NSF 61 - Section 9
 NSF 372 (Low Lead Content)
 2019 DOE PRSV - Class II