



**T&S BRASS AND BRONZE WORKS, INC.**  
 2 Saddleback Cove / P.O. Box 1088  
 Travelers Rest, SC 29690

Model No.  
**B-0133-U12-B**

Item No.

Travelers Rest, SC: 800-476-4103 • Simi Valley, CA: 800-423-0150 • Fax: 864-834-3518 • www.tsbrass.com

This Space for Architect/Engineer Approval

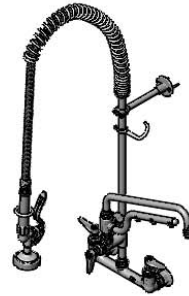
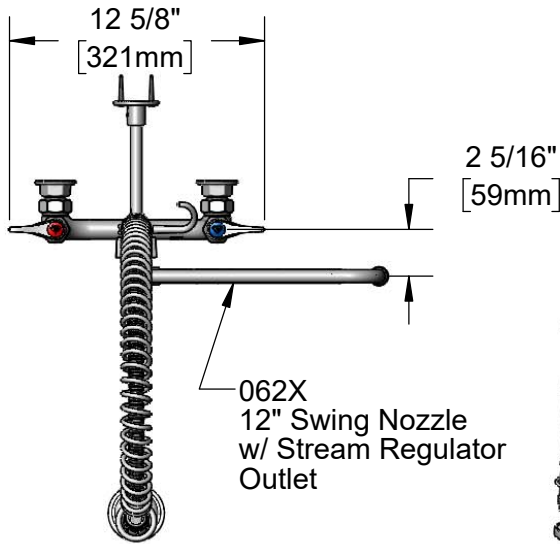
Job Name \_\_\_\_\_ Date \_\_\_\_\_

Model Specified \_\_\_\_\_ Quantity \_\_\_\_\_

Customer/Wholesaler \_\_\_\_\_

Contractor \_\_\_\_\_

Architect/Engineer \_\_\_\_\_



44" Flexible Stainless  
 Steel Hose w/ Spring  
 & Spray Valve

Items Not Shown  
 For Clarity

U12-KIT  
 10" ULTRARINSE  
 Multiple Tip Spray  
 Arm

EasyInstall  
 Lock Nut  
 & Bushing

3 11/16"  
 [94mm]

Adjustable From  
 7 3/4" to 8 1/4"  
 [197mm to 210mm]

12"  
 [305mm]

3/8" NPT x 18" Riser

Finger Hook  
 B-0107  
 1.15 GPM  
 Spray Valve

12 3/4"  
 [323mm]

11 9/16"  
 [294mm]

14 3/4"  
 [374mm]

Quarter-Turn Eterna  
 Cartridges w/ Spring  
 Check & Lever Handles  
 w/ Color Coded Indexes

8"  
 [203mm]

EasyInstall  
 Add-On Faucet  
 w/ Quarter-Turn  
 Eterna Cartridge  
 & Lever  
 Handle

B-0109-01  
 6" Wall  
 Bracket

37 9/16"  
 [954mm]

Mounting  
 Surface

4 7/16"  
 [112mm]

14 1/16"  
 [357mm]

2 3/8"  
 [61mm]

Ø 2" [51mm]  
 Flanges w/  
 1/2" NPT  
 Female Inlets

Product Specifications:

Pre-Rinse Unit: EasyInstall 8" Wall Mount Mixing Faucet, Quarter-Turn Eterna Cartridges w/ Spring Checks, Lever Handles, Add-On Faucet, 12" Swing Nozzle, 1.5 GPM 10" ULTRARINSE Multiple Tip Spray Arm, 44" Flexible Stainless Steel Hose, 1.15 GPM Spray Valve, 6" Wall Bracket & 1/2" NPT Female Inlets

Product Compliance:

ASME A112.18.1 / CSA B125.1  
 NSF 61 - Section 9  
 NSF 372 (Low Lead Content)  
 2019 DOE PRSV - Class II



# T&S BRASS AND BRONZE WORKS, INC.

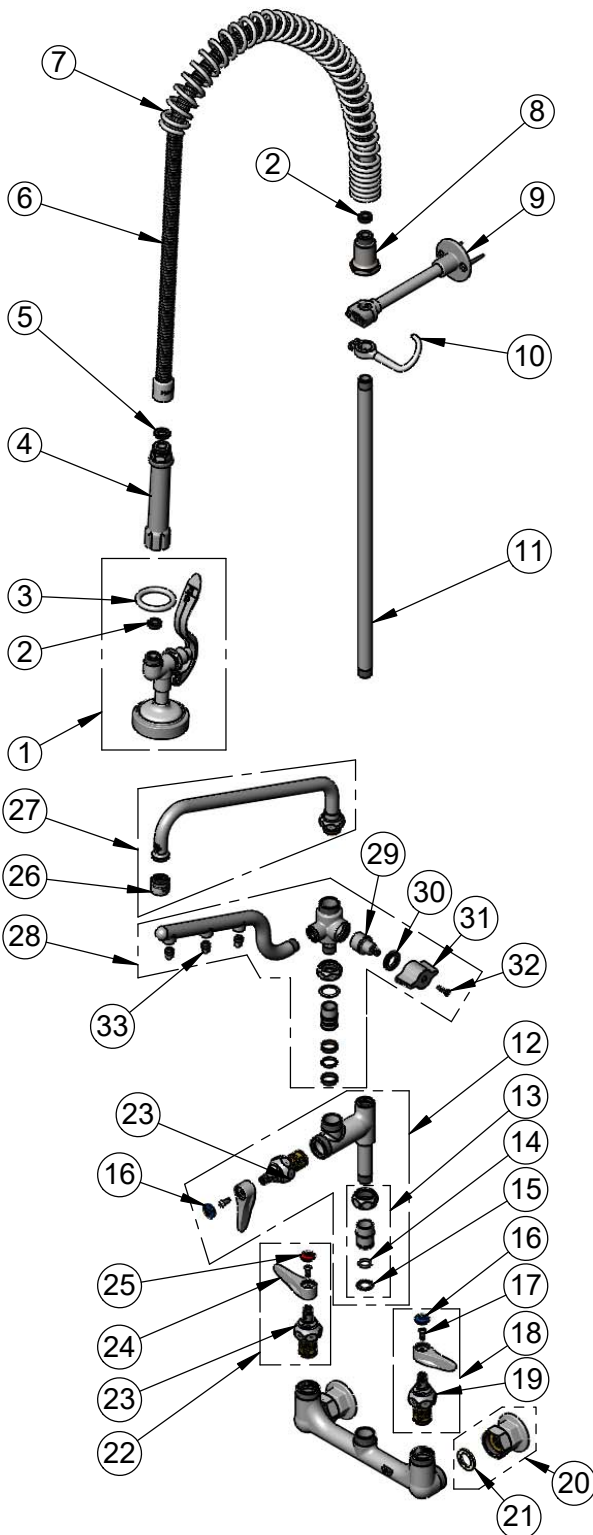
2 Saddleback Cove / P.O. Box 1088  
Travelers Rest, SC 29690

Model No.

**B-0133-U12-B**

Item No.

Travelers Rest, SC: 800-476-4103 • Simi Valley, CA: 800-423-0150 • Fax: 864-834-3518 • www.tsbrass.com



ITEM NO.	SALES NO.	DESCRIPTION
1	B-0107	1.15 GPM Spray Valve
2	010476-45	#27 Washer
3	000907-45	Spray Valve Hold Down Ring
4	002987-40	Grip Handle
5	001014-45	Washer, Hose Barrel
6	B-0044-H2A	44" Flexible Stainless Steel Hose, Less Handle
7	000888-45	EasyInstall Overhead Spring
8	000821-40	Spring Body
9	B-0109-01	6" Wall Bracket
10	004R	Finger Hook
11	000369-40	3/8" NPT x 18" Riser
12	B-0155-LNEZ	Add-On Faucet w/ Quarter-Turn Eterna Cartridge, RTC & Lever Handle (Less Nozzle)
13	EZ-K	EasyInstall Kit: Nut, Bushing, O-ring & Lock Washer
14	001065-45	O-Ring
15	014200-45	Star Washer, Anti-Rotation
16	018506-19NS	Blue Button Index, Press-in
17	000925-45	Lab Handle Screw
18	002711-40NS	Quarter-Turn Eterna Cartridge, LTC w/ Spring Check, Handle, Index & Screw
19	012442-40NS	Quarter-Turn Eterna Cartridge, LTC w/ Spring Check
20	00AA	1/2" NPT Female Eccentric Flange
21	001019-45	Coupling Nut Washer
22	002712-40NS	Quarter-Turn Eterna Cartridge, RTC w/ Spring Check, Handle, Index & Screw
23	012443-40NS	Quarter-Turn Eterna Cartridge, RTC w/ Spring Check
24	001638-45NS	Lever Handle (New Style)
25	001193-19NS	Red Button Index, Press-in
26	B-PT	Full Flow Stream Regulator, 55/64-27
27	062X	12" Swing Nozzle w/ Stream Regulator Outlet
28	U12-KIT	ULTRARINSE Diverter Swivel Body
29	020641-45	ULTRARINSE Diverter Cartridge
30	020645-45	Diverter Cartridge Nut
31	020642-45	ULTRARINSE Diverter Handle
32	020669-45	M4 Screw, 17mm Long
33	020667-25	0.5 GPM Spray Tip

**Product Specifications:**

Pre-Rinse Unit: EasyInstall 8" Wall Mount Mixing Faucet, Quarter-Turn Eterna Cartridges w/ Spring Checks, Lever Handles, Add-On Faucet, 12" Swing Nozzle, 1.5 GPM 10" ULTRARINSE Multiple Tip Spray Arm, 44" Flexible Stainless Steel Hose, 1.15 GPM Spray Valve, 6" Wall Bracket & 1/2" NPT Female Inlets

**Product Compliance:**

ASME A112.18.1 / CSA B125.1  
NSF 61 - Section 9  
NSF 372 (Low Lead Content)  
2019 DOE PRSV - Class II