



T&S BRASS AND BRONZE WORKS, INC.

2 Saddleback Cove / P.O. Box 1088
Travelers Rest, SC 29690

Model No.

B-0133-CR-VBJSTK

Item No.

Travelers Rest, SC: 800-476-4103 • Simi Valley, CA: 800-423-0150 • Fax: 864-834-3518 • www.tsbrass.com

This Space for Architect/Engineer Approval

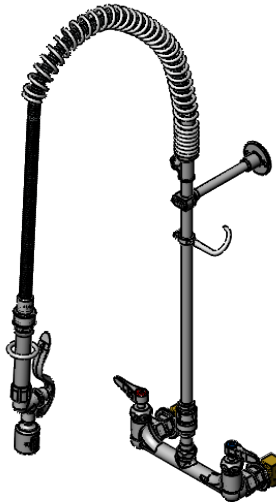
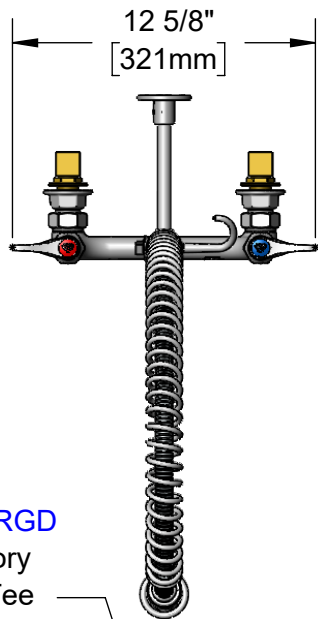
Job Name _____ Date _____

Model Specified _____ Quantity _____

Customer/Wholesaler _____

Contractor _____

Architect/Engineer _____



B-TEE-RGD
Accessory
Fitting Tee

44" Flexible Stainless
Steel Hose w/ Spring
& Spray Valve

Items Not Shown
For Clarity

Finger Hook

018200-40
Pre-Rinse Swivel

3/8" NPT x 18" Riser

B-0970-FEZ
Vacuum
Breaker

EasyInstall
Lock Nut & Bushing

Quarter-Turn Cerama
Cartridges w/ Check
Valves & Lever Handles
w/ Color Coded Indexes

3 11/16"
[93mm]

8"
[203mm]

Adjustable From
7 3/4" to 8 1/4"
[197mm to 210mm]

B-0107-J
1.07 GPM
Spray Valve

B-0109-01
6" Wall
Bracket

38 13/16"
[985mm]

2 3/8"
[61mm]

8 1/4"
[210mm]

3/16"
[5mm]
Maximum
Thickness

B-0230-KIT

Short EL Installation Kit w/
(2) Flexible Stainless Steel hoses

14 1/8"
[358mm]

Mounting
Surface

ϕ2"
[51mm]
Flanges w/
1/2" NPT
Male Elbow
Installation Kit

Rough-In Requirement:
(2) ϕ 1" [25mm] Mounting Holes

Product Specifications:

Pre-Rinse Unit: EasyInstall 8" Wall Mount Mixing Faucet, Quarter-Turn Cerama Cartridges w/ Check Valves, Lever Handles, Vacuum Breaker, Rigid Tee, 44" Flexible Stainless Steel Hose, 1.07 GPM Spray Valve w/ Swivel, 6" Wall Bracket & 1/2" NPT Male Elbow Installation Kit w/ (2) Hoses

Product Compliance:

ASME A112.18.1 / CSA B125.1
NSF 61 - Section 9
NSF 372 (Low Lead Content)
2019 DOE PRSV - Class II
CSA B64.8 (VB)



T&S BRASS AND BRONZE WORKS, INC.

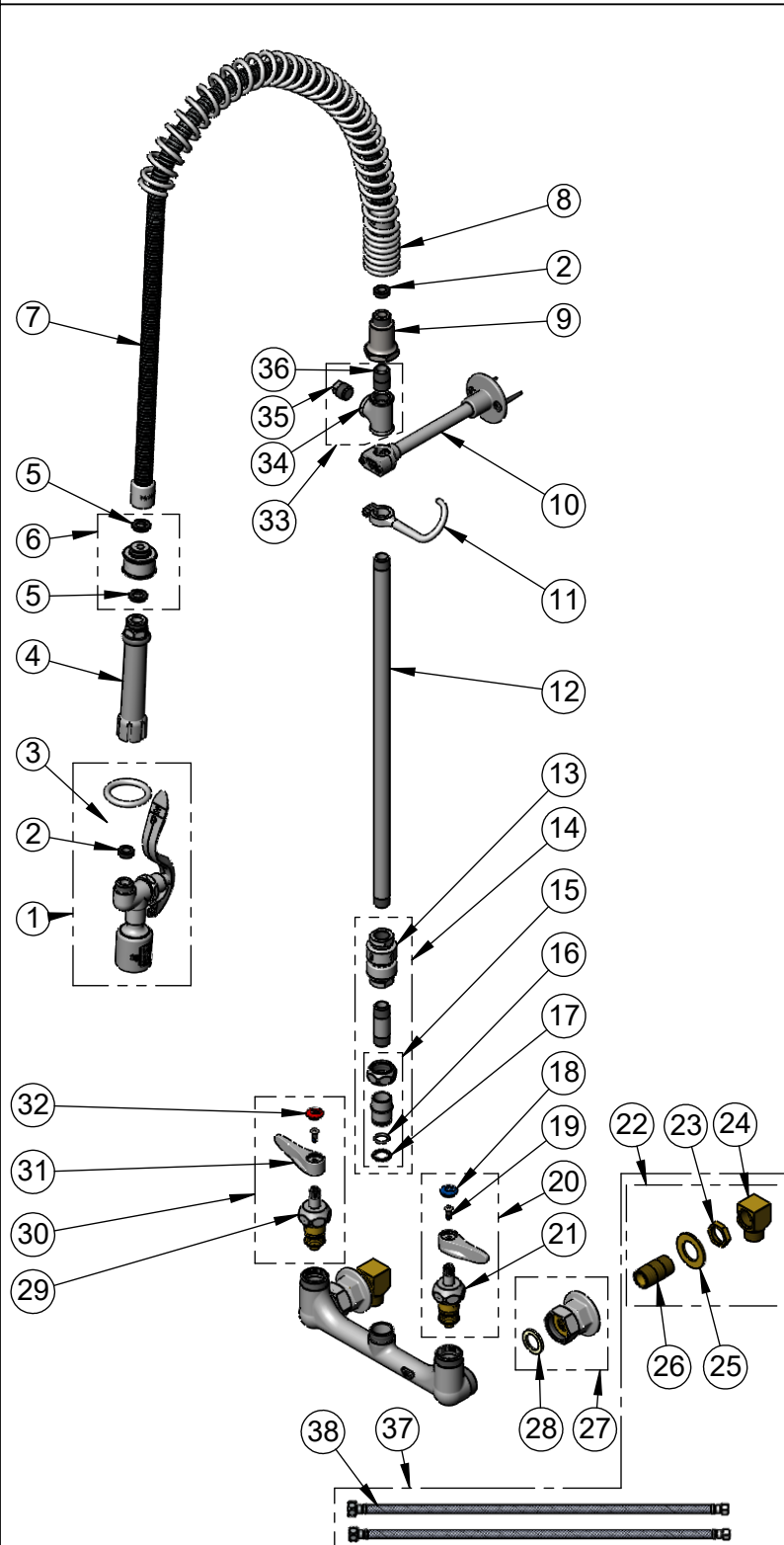
2 Saddleback Cove / P.O. Box 1088
Travelers Rest, SC 29690

Model No.

B-0133-CR-VBJSTK

Item No.

Travelers Rest, SC: 800-476-4103 • Simi Valley, CA: 800-423-0150 • Fax: 864-834-3518 • www.tsbrass.com



ITEM NO.	SALES NO.	DESCRIPTION
1	B-0107-J	1.07 GPM Spray Valve
2	010476-45	#27 Washer
3	000907-45	Spray Valve Hold Down Ring
4	002987-40	Grip Handle
5	001014-45	Washer, Hose Barrel
6	018200-40	Pre-Rinse Swivel
7	B-0044-H2A	44" Flexible Stainless Steel Hose, Less Handle
8	000888-45	EasyInstall Overhead Spring
9	000821-40	Spring Body
10	B-0109-01	6" Wall Bracket
11	004R	Finger Hook
12	000369-40	3/8" NPT x 18" Riser
13	B-0970-FE	3/8" NPT Vacuum Breaker
14	B-0970-FEZ	EasyInstall Vacuum Breaker Kit
15	EZ-K	EasyInstall Kit: Nut, Bushing, O-Ring & Lock Washer
16	001065-45	O-Ring
17	014200-45	Star Washer, Anti-Rotation
18	018506-19NS	Blue Button Index, Press-in
19	000925-45	Lab Handle Screw
20	012447-25NS	Quarter-Turn Cerama Cartridge w/ Check Valve, Handle, Blue Index & Screw, LTC
21	012395-25NS	Quarter-Turn Cerama Cartridge w/ Check Valve, LTC
22	B-0230-K	Short Elbow Installation Kit
23	002954-45	Shank Lock Nut
24	B-1100-K	1/2" NPT Male Inlet Elbow
25	000999-45	Brass Lock Washer
26	013357-20	1/2" NPT x 1-5/8" Close Nipple
27	00AA	1/2" NPT Female Eccentric Flange
28	001019-45	Coupling Nut Washer
29	012394-25NS	Quarter-Turn Cerama Cartridge w/ Check Valve, RTC
30	012446-25NS	Quarter-Turn Cerama Cartridge w/ Check Valve, Handle, Red Index & Screw, RTC
31	001638-45NS	Lever Handle (New Style)
32	001193-19NS	Red Button Index, Press-in
33	B-TEE-RGD	Accessory Fitting Tee
34	001614-40	3/8" NPT Forged Tee
35	002369-25	3/8" NPT Plug
36	002535-25	3/8" Close Nipple
37	B-0230-KIT	Short Elbow Installation Kit w/ (2) Hoses
38	017420-45	24" Flexible Supply Hoses

Product Specifications:
Pre-Rinse Unit: EasyInstall 8" Wall Mount Mixing Faucet, Quarter-Turn Cerama Cartridges w/ Check Valves, Lever Handles, Vacuum Breaker, Rigid Tee, 44" Flexible Stainless Steel Hose, 1.07 GPM Spray Valve w/ Swivel, 6" Wall Bracket & 1/2" NPT Male Elbow Installation Kit w/ (2) Hoses

Product Compliance:
ASME A112.18.1 / CSA B125.1
NSF 61 - Section 9
NSF 372 (Low Lead Content)
2019 DOE PRSV - Class II
CSA B64.8 (VB)