



T&S BRASS AND BRONZE WORKS, INC.

2 Saddleback Cove / P.O. Box 1088
Travelers Rest, SC 29690

Model No.

B-0133-CR-B08SK

Item No.

Travelers Rest, SC: 800-476-4103 • Simi Valley, CA: 800-423-0150 • Fax: 864-834-3518 • www.tsbrass.com

This Space for Architect/Engineer Approval

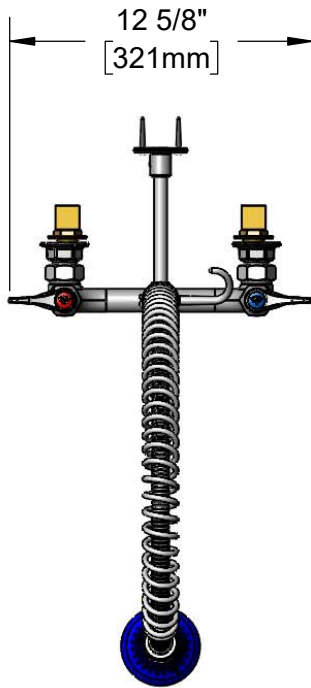
Job Name _____ Date _____

Model Specified _____ Quantity _____

Customer/Wholesaler _____

Contractor _____

Architect/Engineer _____



44" Flexible Stainless Steel Hose w/ Spring & Spray Valve

Items Not Shown for Clarity

018200-40
Pre-Rinse Swivel

Quarter-Turn Cerama Cartridges w/ Check Valves & Lever Handles w/ Color Coded Indexes

B-0109-01
6" Wall Bracket

B-0108
1.07 GPM Spray Valve

33 3/8" [848mm]

Finger Hook

3/8" NPT x 18" Riser

EasyInstall Lock Nut & Bushing

3 11/16" [93mm]

8" [203mm]
Adjustable From 7 3/4" to 8 1/4" [197mm to 210mm]

Ø 2" [51mm] Flanges w/ 1/2" NPT Female Inlets

4 7/16" [113mm]

14 7/16" [367mm]

2 3/8" [61mm]

3/16" [5mm] Maximum Thickness

B-0230-K
Installation Kit w/ 1/2" NPT Male Inlets

Mounting Surface

Rough-In Requirement:

(2) Ø 1" [25mm] Mounting Holes

Product Specifications:

Pre-Rinse Unit: EasyInstall 8" Wall Mount Mixing Faucet, Quarter-Turn Cerama Cartridges w/ Check Valves, Lever Handles, 44" Flexible Stainless Steel Hose, 1.07 GPM Spray Valve w/ Swivel, 6" Wall Bracket & 1/2" NPT Female Inlets w/ 1/2" NPT Male Inlet Installation Elbow Kit

Product Compliance:

ASME A112.18.1 / CSA B125.1
NSF 61 - Section 9
NSF 372 (Low Lead Content)
2019 DOE PRSV - Class II



T&S BRASS AND BRONZE WORKS, INC.

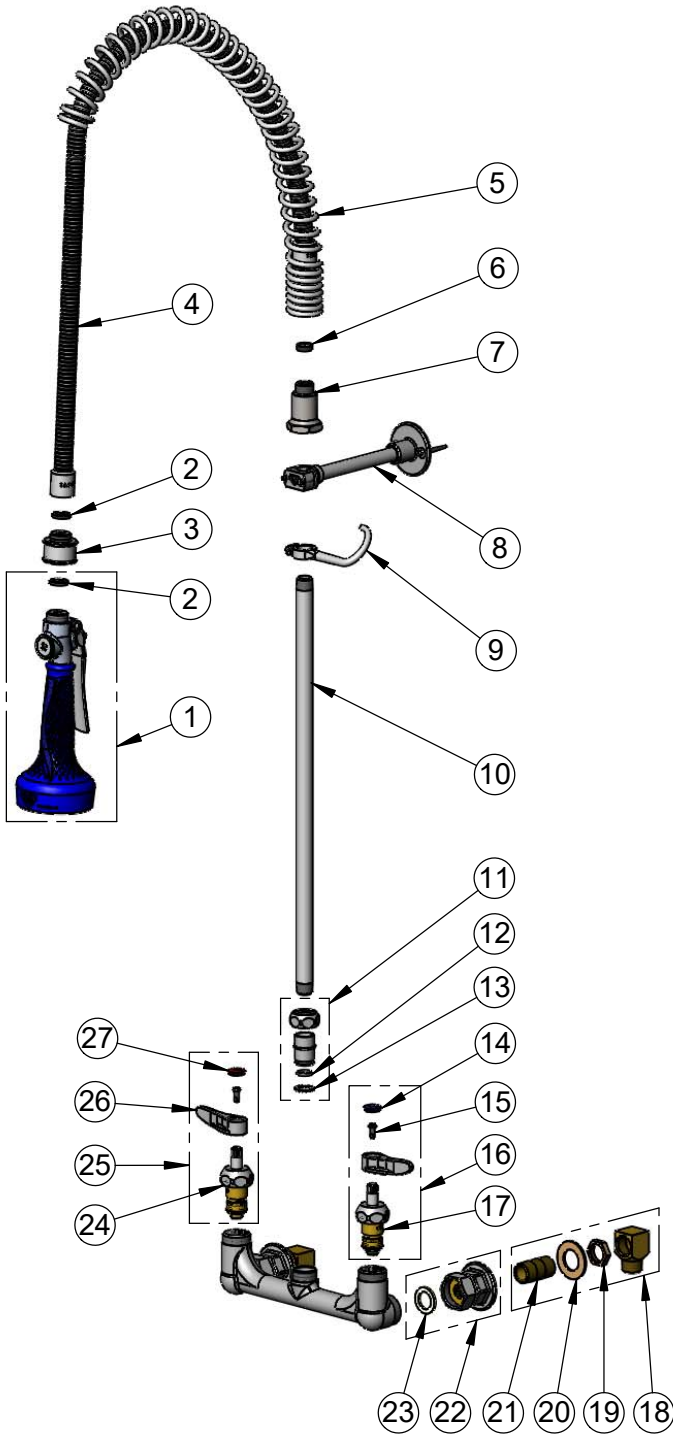
2 Saddleback Cove / P.O. Box 1088
Travelers Rest, SC 29690

Model No.

B-0133-CR-B08SK

Item No.

Travelers Rest, SC: 800-476-4103 • Simi Valley, CA: 800-423-0150 • Fax: 864-834-3518 • www.tsbrass.com



ITEM NO.	SALES NO.	DESCRIPTION
1	B-0108	1.07 GPM Spray Valve w/ Ergo-Grip
2	001014-45	Washer, B-0100 Hose Barrel
3	018200-40	Pre-Rinse Swivel w/ (2) Washers
4	B-0044-H2A	44" Flexible Stainless Steel Hose, Less Handle
5	000888-45	EasyInstall Overhead Spring
6	010476-45	#27 Washer
7	000821-40	Spring Body
8	B-0109-01	6" Wall Bracket
9	004R	Finger Hook
10	000369-40	3/8" NPT x 18" Riser
11	EZ-K	EasyInstall Kit
12	001065-45	O-Ring
13	014200-45	Star Washer, Anti-Rotation
14	018506-19NS	Blue Button Index, Press-in
15	000925-45	Lab Handle Screw
16	012447-25NS	Quarter-Turn Cerama Cartridge w/ Check Valve, Handle, Blue Index & Screw, LTC
17	012395-25NS	Quarter-Turn Cerama Cartridge w/ Check Valve, LTC
18	B-0230-K	1/2" NPT Short Elbow Installation Kit
19	002954-45	Shank Lock Nut
20	000999-45	Brass Lock Washer
21	013357-20	1/2" NPT x 1-5/8" Lg. Close Nipple
22	00AA	1/2" NPT Female Eccentric Flange
23	001019-45	Coupling Nut Washer
24	012394-25NS	Quarter-Turn Cerama Cartridge w/ Check Valve, RTC
25	012446-25NS	Quarter-Turn Cerama Cartridge w/ Check Valve, Handle, Red Index & Screw, RTC
26	001638-45NS	Lever Handle (New Style)
27	001193-19NS	Red Button Index, Press-in

Product Specifications:

Pre-Rinse Unit: EasyInstall 8" Wall Mount Mixing Faucet, Quarter-Turn Cerama Cartridges w/ Check Valves, Lever Handles, 44" Flexible Stainless Steel Hose, 1.07 GPM Spray Valve w/ Swivel, 6" Wall Bracket & 1/2" NPT Female Inlets w/ 1/2" NPT Male Inlet Installation Elbow Kit

Product Compliance:

ASME A112.18.1 / CSA B125.1
NSF 61 - Section 9
NSF 372 (Low Lead Content)
2019 DOE PRSV - Class II