



# T&S BRASS AND BRONZE WORKS, INC.

2 Saddleback Cove / P.O. Box 1088  
Travelers Rest, SC 29690

Model No.

**B-0133-14-CRBJ**

Item No.

Travelers Rest, SC: 800-476-4103 • Simi Valley, CA: 800-423-0150 • Fax: 864-834-3518 • www.tsbrass.com

This Space for Architect/Engineer Approval

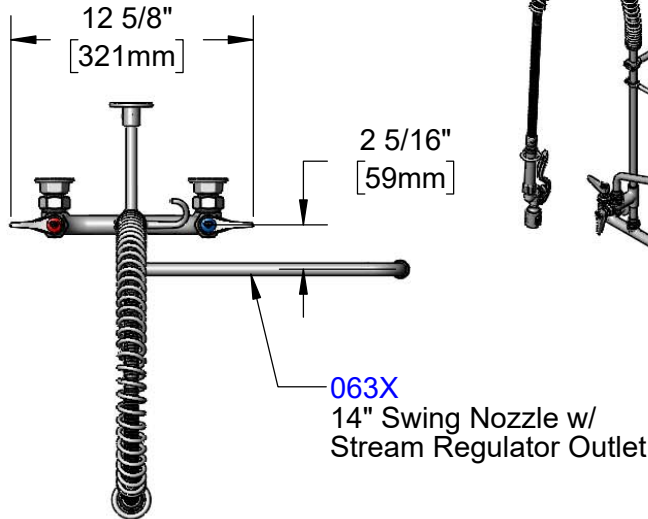
Job Name \_\_\_\_\_ Date \_\_\_\_\_

Model Specified \_\_\_\_\_ Quantity \_\_\_\_\_

Customer/Wholesaler \_\_\_\_\_

Contractor \_\_\_\_\_

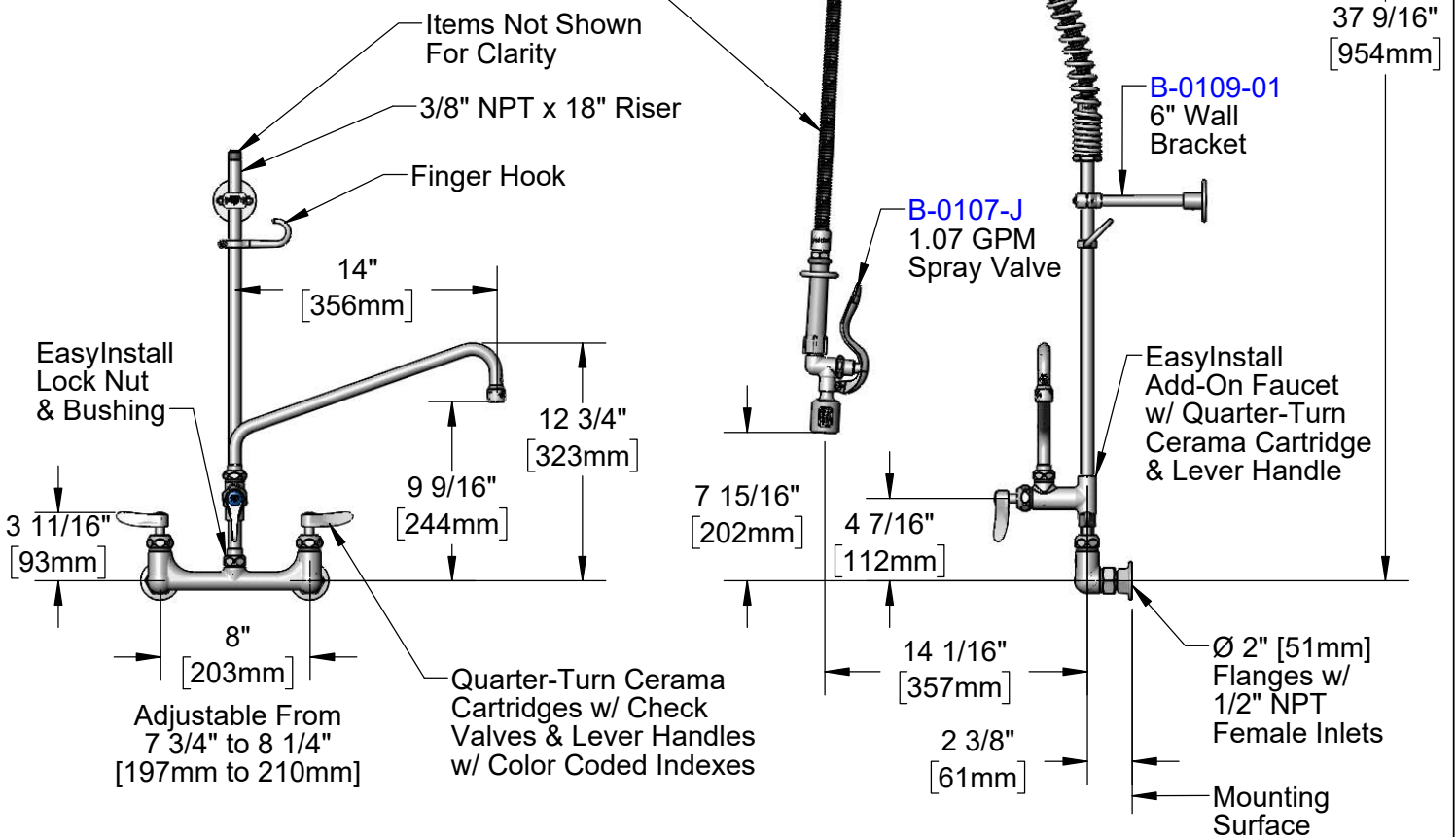
Architect/Engineer \_\_\_\_\_



**063X**  
14" Swing Nozzle w/  
Stream Regulator Outlet



44" Flexible Stainless  
Steel Hose w/ Spring  
& Spray Valve



Items Not Shown  
For Clarity

3/8" NPT x 18" Riser

Finger Hook

**B-0109-01**  
6" Wall  
Bracket

**B-0107-J**  
1.07 GPM  
Spray Valve

EasyInstall  
Add-On Faucet  
w/ Quarter-Turn  
Cerama Cartridge  
& Lever Handle

EasyInstall  
Lock Nut  
& Bushing

3 11/16"  
[93mm]

14"  
[356mm]

12 3/4"  
[323mm]

9 9/16"  
[244mm]

7 15/16"  
[202mm]

4 7/16"  
[112mm]

8"  
[203mm]

Adjustable From  
7 3/4" to 8 1/4"  
[197mm to 210mm]

Quarter-Turn Cerama  
Cartridges w/ Check  
Valves & Lever Handles  
w/ Color Coded Indexes

14 1/16"  
[357mm]

Ø 2" [51mm]  
Flanges w/  
1/2" NPT  
Female Inlets

2 3/8"  
[61mm]

Mounting  
Surface

**Product Specifications:**

Pre-Rinse Unit: EasyInstall 8" Wall Mount Mixing Faucet, Quarter-Turn Cerama Cartridges w/ Check Valves, Lever Handles, Add-On Faucet w/ 14" Swing Nozzle, 44" Flexible Stainless Steel Hose, 1.07 GPM Spray Valve, 6" Wall Bracket & 1/2" NPT Female Inlets

**Product Compliance:**

ASME A112.18.1 / CSA B125.1  
NSF 61 - Section 9  
NSF 372 (Low Lead Content)  
2019 DOE PRSV - Class II



# T&S BRASS AND BRONZE WORKS, INC.

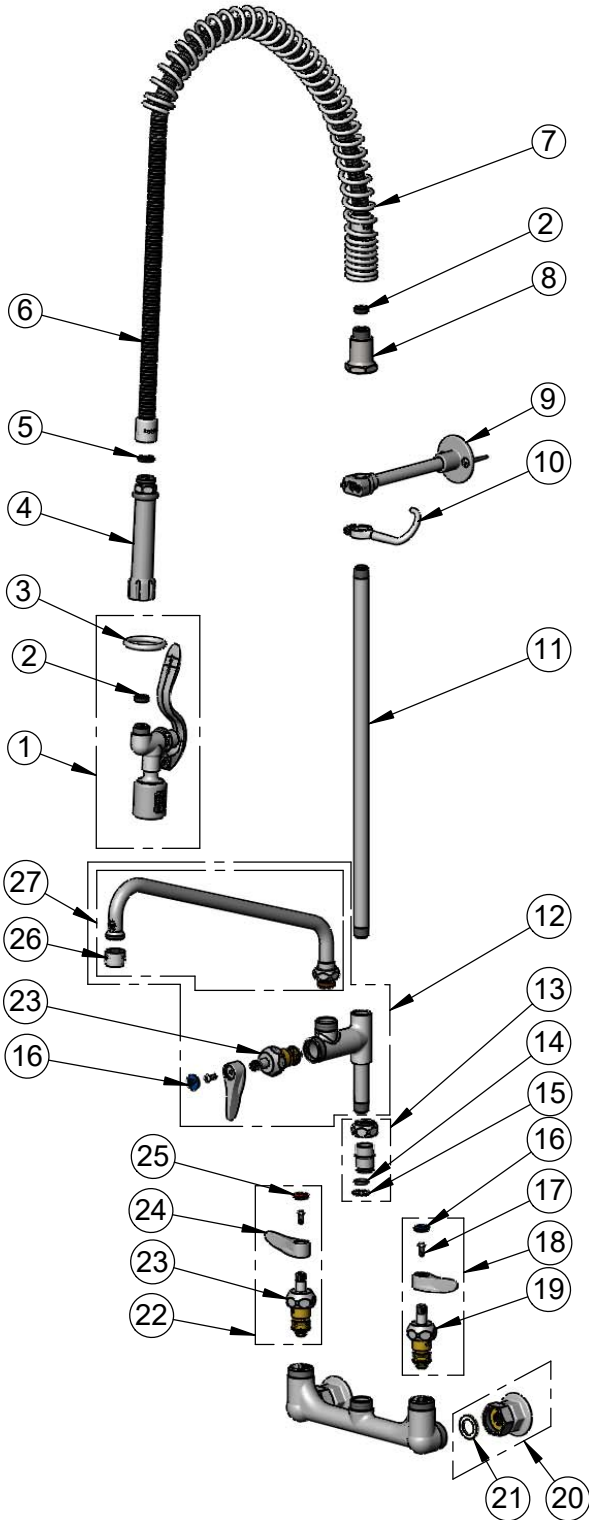
2 Saddleback Cove / P.O. Box 1088  
Travelers Rest, SC 29690

Model No.

**B-0133-14-CRBJ**

Item No.

Travelers Rest, SC: 800-476-4103 • Simi Valley, CA: 800-423-0150 • Fax: 864-834-3518 • www.tsbrass.com



| ITEM NO. | SALES NO.   | DESCRIPTION   |
|----------|-------------|---|
| 1        | B-0107-J    | 1.07 GPM Spray Valve  |
| 2        | 010476-45   | #27 Washer  |
| 3        | 000907-45   | Spray Valve Hold Down Ring  |
| 4        | 002987-40   | Grip Handle   |
| 5        | 001014-45   | Washer, B-0100 Hose Barrel  |
| 6        | B-0044-H2A  | 44" Flexible Stainless Steel Hose, Less Handle                                  |
| 7        | 000888-45   | EasyInstall Overhead Spring   |
| 8        | 000821-40   | Spring Body   |
| 9        | B-0109-01   | 6" Wall Bracket   |
| 10       | 004R        | Finger Hook   |
| 11       | 000369-40   | 3/8" NPT x 18" Riser  |
| 12       | B-0158-CR   | Add-On Faucet w/ Quarter-Turn Cerama Cartridge, Lever Handle & 14" Swing Nozzle |
| 13       | EZ-K        | EasyInstall Kit: Nut, Bushing, O-Ring & Lock Washer                             |
| 14       | 006562-45   | O-ring  |
| 15       | 014200-45   | Star Washer, Anti-Rotation  |
| 16       | 018506-19NS | Blue Button Index, Press-in   |
| 17       | 000925-45   | Lab Handle Screw  |
| 18       | 012447-25NS | Quarter-Turn Cerama Cartridge w/ Check Valve, Handle, Blue Index & Screw, LTC   |
| 19       | 012395-25NS | Quarter-Turn Cerama Cartridge w/ Check Valve, LTC                               |
| 20       | 00AA        | 1/2" NPT Female Eccentric Flange  |
| 21       | 001019-45   | Coupling Nut Washer   |
| 22       | 012446-25NS | Quarter-Turn Cerama Cartridge w/ Check Valve, Handle, Red Index & Screw, RTC    |
| 23       | 012394-25NS | Quarter-Turn Cerama Cartridge w/ Check Valve, RTC                               |
| 24       | 001638-45NS | Lever Handle (New Style)  |
| 25       | 001193-19NS | Red Button Index, Press-in  |
| 26       | B-PT        | Full Flow Stream Regulator, 55/64-27  |
| 27       | 063X        | 14" Swing Nozzle w/ Stream Regulator Outlet                                     |

**Product Specifications:**

Pre-Rinse Unit: EasyInstall 8" Wall Mount Mixing Faucet, Quarter-Turn Cerama Cartridges w/ Check Valves, Lever Handles, Add-On Faucet w/ 14" Swing Nozzle, 44" Flexible Stainless Steel Hose, 1.07 GPM Spray Valve, 6" Wall Bracket & 1/2" NPT Female Inlets

**Product Compliance:**

ASME A112.18.1 / CSA B125.1  
NSF 61 - Section 9  
NSF 372 (Low Lead Content)  
2019 DOE PRSV - Class II