



# T&S BRASS AND BRONZE WORKS, INC.

2 Saddleback Cove / P.O. Box 1088  
Travelers Rest, SC 29690

Model No.

**B-0133-12ACB8ST**

Item No.

Travelers Rest, SC: 800-476-4103 • Simi Valley, CA: 800-423-0150 • Fax: 864-834-3518 • www.tsbrass.com

This Space for Architect/Engineer Approval

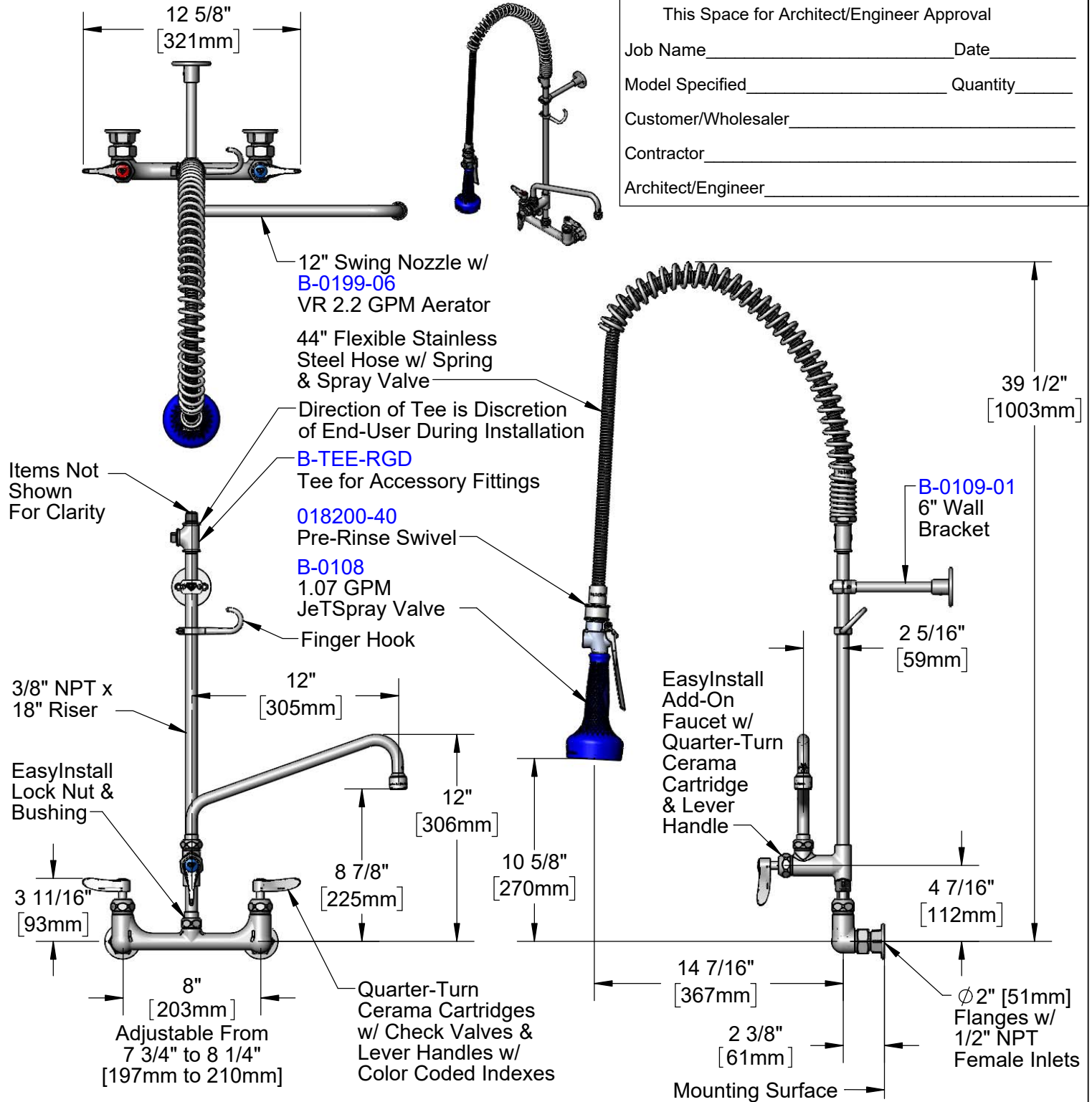
Job Name \_\_\_\_\_ Date \_\_\_\_\_

Model Specified \_\_\_\_\_ Quantity \_\_\_\_\_

Customer/Wholesaler \_\_\_\_\_

Contractor \_\_\_\_\_

Architect/Engineer \_\_\_\_\_



**Product Specifications:**

Pre-Rinse Unit: EasyInstall 8" Wall Mount Mixing Faucet, Quarter-Turn Cerama Cartridges w/ Check Valves, Lever Handles, 44" Flexible Stainless Steel Hose, 1.07 GPM JeTSpray Valve, 12" Swing Nozzle w/ VR 2.2 GPM Aerator, 6" Wall Bracket, Accessory Tee, Pre-Rinse Swivel & 1/2" NPT Female Inlets

**Product Compliance:**

ASME A112.18.1 / CSA B125.1  
NSF 61 - Section 9  
NSF 372 (Low Lead Content)  
2019 DOE PRSV - Class II



# T&S BRASS AND BRONZE WORKS, INC.

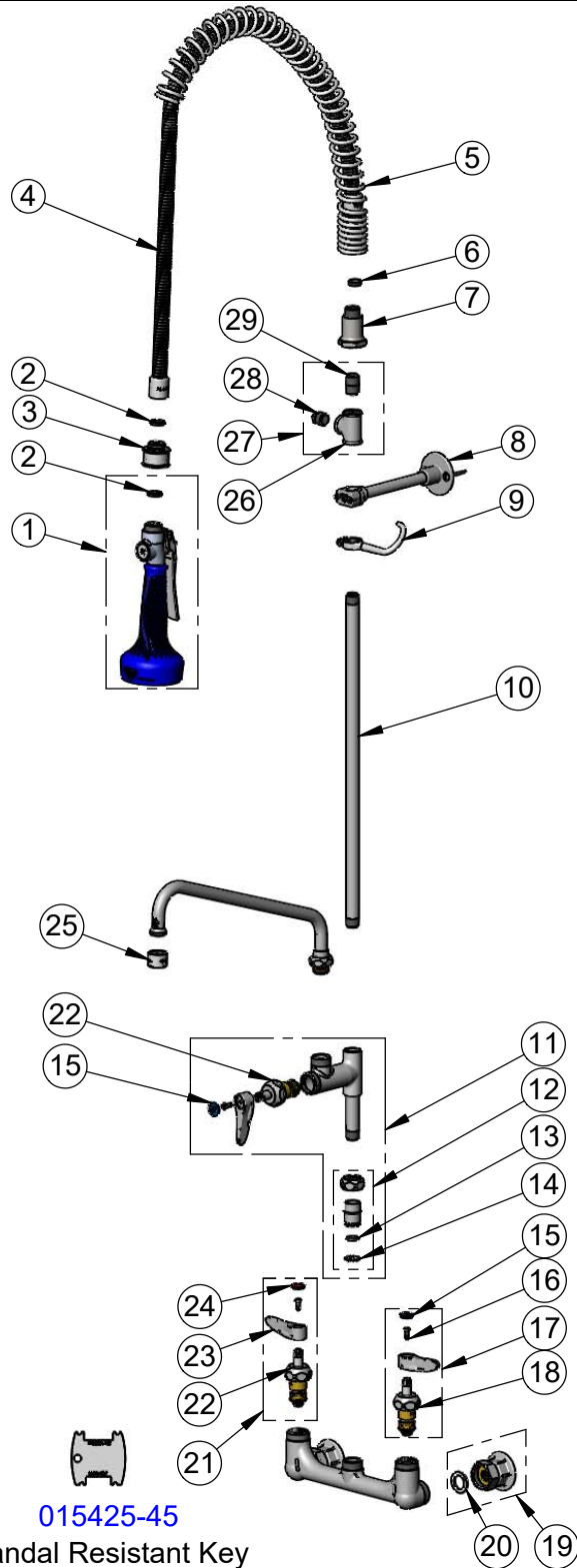
2 Saddleback Cove / P.O. Box 1088  
Travelers Rest, SC 29690

Model No.

**B-0133-12ACB8ST**

Item No.

Travelers Rest, SC: 800-476-4103 • Simi Valley, CA: 800-423-0150 • Fax: 864-834-3518 • www.tsbrass.com



ITEM NO.	SALES NO.	DESCRIPTION
1	B-0108	1.07 GPM JeTSpray Valve w/ Ergo-Grip
2	001014-45	Washer, B-0100 Hose Barrel
3	018200-40	Pre-Rinse Swivel
4	B-0044-H2A	44" Flexible Stainless Steel Hose, Less Handle
5	000888-45	EasyInstall Overhead Spring
6	010476-45	#27 Washer
7	000821-40	Spring Body
8	B-0109-01	6" Wall Bracket
9	004R	Finger Hook
10	000369-40	3/8" NPT x 18" Riser
11	B-00155-CR-LN	Add-On Faucet w/ Quarter-Turn Cerama Cartridge, RTC & Lever Handle, Less Nozzle
12	EZ-K	EasyInstall Kit: Nut, Bushing, O-Ring & Lock Washer
13	001065-45	O-ring
14	014200-45	Star Washer, Anti-Rotation
15	018506-19NS	Blue Button Index, Press-in
16	000925-45	Lab Handle Screw
17	012447-25NS	Quarter-Turn Cerama Cartridge, LTC w/ Check Valve, Handle, Index & Screw
18	012395-25NS	Quarter-Turn Cerama Cartridge, LTC w/ Check Valve
19	00AA	1/2" NPT Female Eccentric Flange
20	001019-45	Coupling Nut Washer
21	012446-25NS	Quarter-Turn Cerama Cartridge, RTC w/ Check Valve, Handle, Index & Screw
22	012394-25NS	Quarter-Turn Cerama Cartridge, RTC w/ Check Valve
23	001638-45NS	Lever Handle (New Style)
24	001193-19NS	Red Button Index, Press-in
25	B-0199-06	VR 2.2 GPM Aerator, 55/64-27 UN Female w/ Key
26	001614-40	3/8" NPT Tee
27	B-TEE-RGD	Rigid Tee
28	002369-25	3/8" NPT Plug
29	002535-25	3/8" Close Nipple

015425-45

Vandal Resistant Key

Product Specifications:

Pre-Rinse Unit: EasyInstall 8" Wall Mount Mixing Faucet, Quarter-Turn Cerama Cartridges w/ Check Valves, Lever Handles, 44" Flexible Stainless Steel Hose, 1.07 GPM JeTSpray Valve, 12" Swing Nozzle w/ VR 2.2 GPM Aerator, 6" Wall Bracket, Accessory Tee, Pre-Rinse Swivel & 1/2" NPT Female Inlets

Product Compliance:

ASME A112.18.1 / CSA B125.1  
NSF 61 - Section 9  
NSF 372 (Low Lead Content)  
2019 DOE PRSV - Class II