



**T&S BRASS AND BRONZE WORKS, INC.**  
 2 Saddleback Cove / P.O. Box 1088  
 Travelers Rest, SC 29690

Model No.  
**B-0133-12-CRB8P**

Item No.

Travelers Rest, SC: 800-476-4103 • Simi Valley, CA: 800-423-0150 • Fax: 864-834-3518 • www.tsbrass.com

This Space for Architect/Engineer Approval

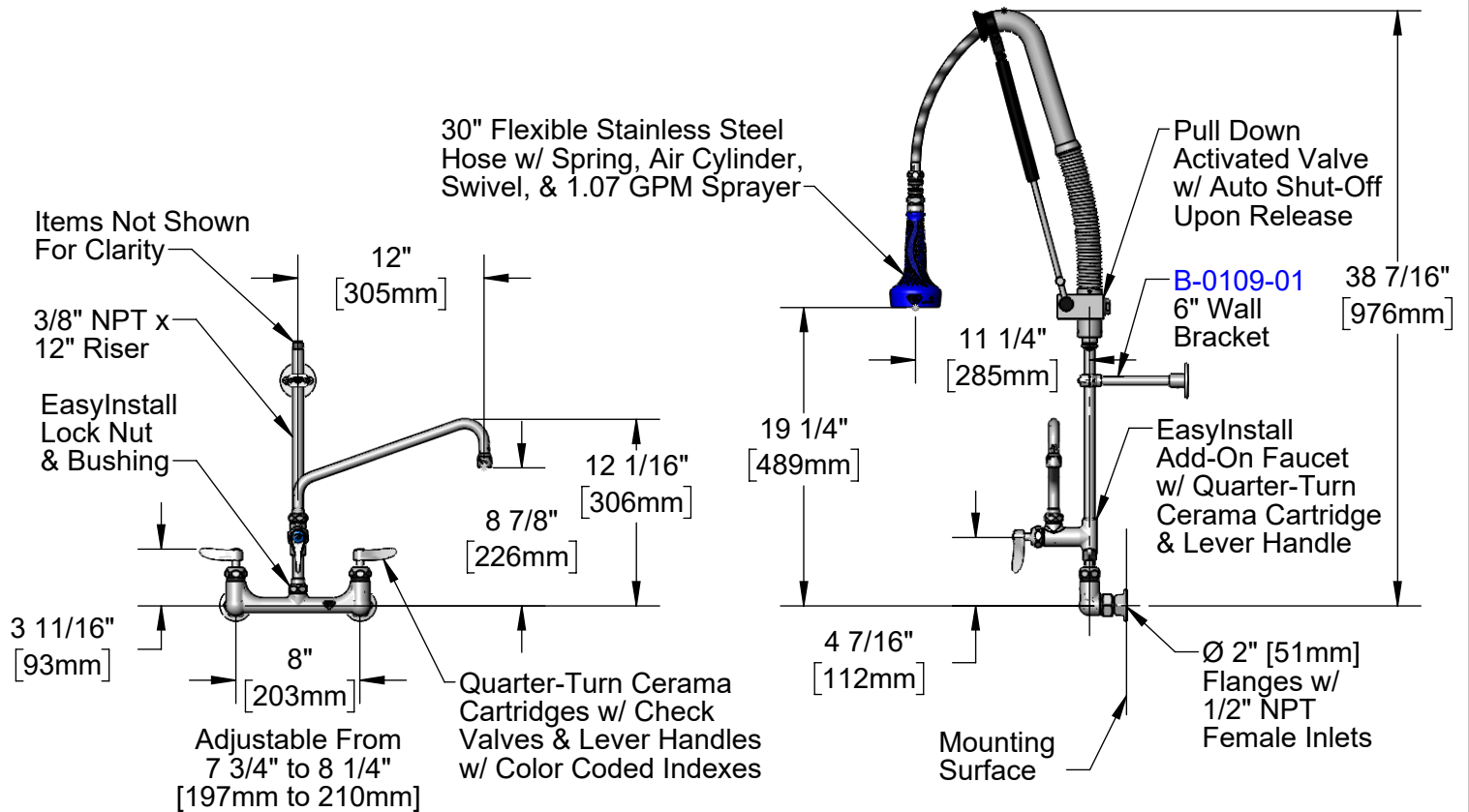
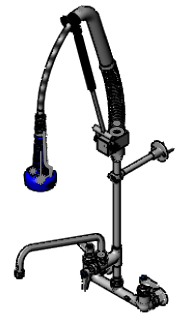
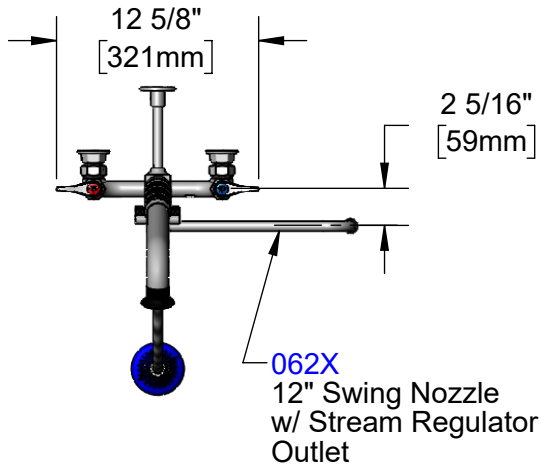
Job Name \_\_\_\_\_ Date \_\_\_\_\_

Model Specified \_\_\_\_\_ Quantity \_\_\_\_\_

Customer/Wholesaler \_\_\_\_\_

Contractor \_\_\_\_\_

Architect/Engineer \_\_\_\_\_



**Product Specifications:**

EasyInstall Pull-Down Pre-Rinse Unit: 8" Wall Mount Mixing Faucet, Quarter-Turn Cerama Cartridges w/ Check Valves, Lever Handles, Add-On Faucet w/ 12" Swing Nozzle, 12" Riser, 30" Flexible Stainless Steel Hose, 1.07 GPM Sprayer w/ Ball-Joint Swivel, 6" Wall Bracket & 1/2" NPT Female Inlets

**Product Compliance:**

ASME A112.18.1 / CSA B125.1  
 NSF 61 - Section 9  
 NSF 372 (Low Lead Content)  
 2019 DOE PRSV - Class II

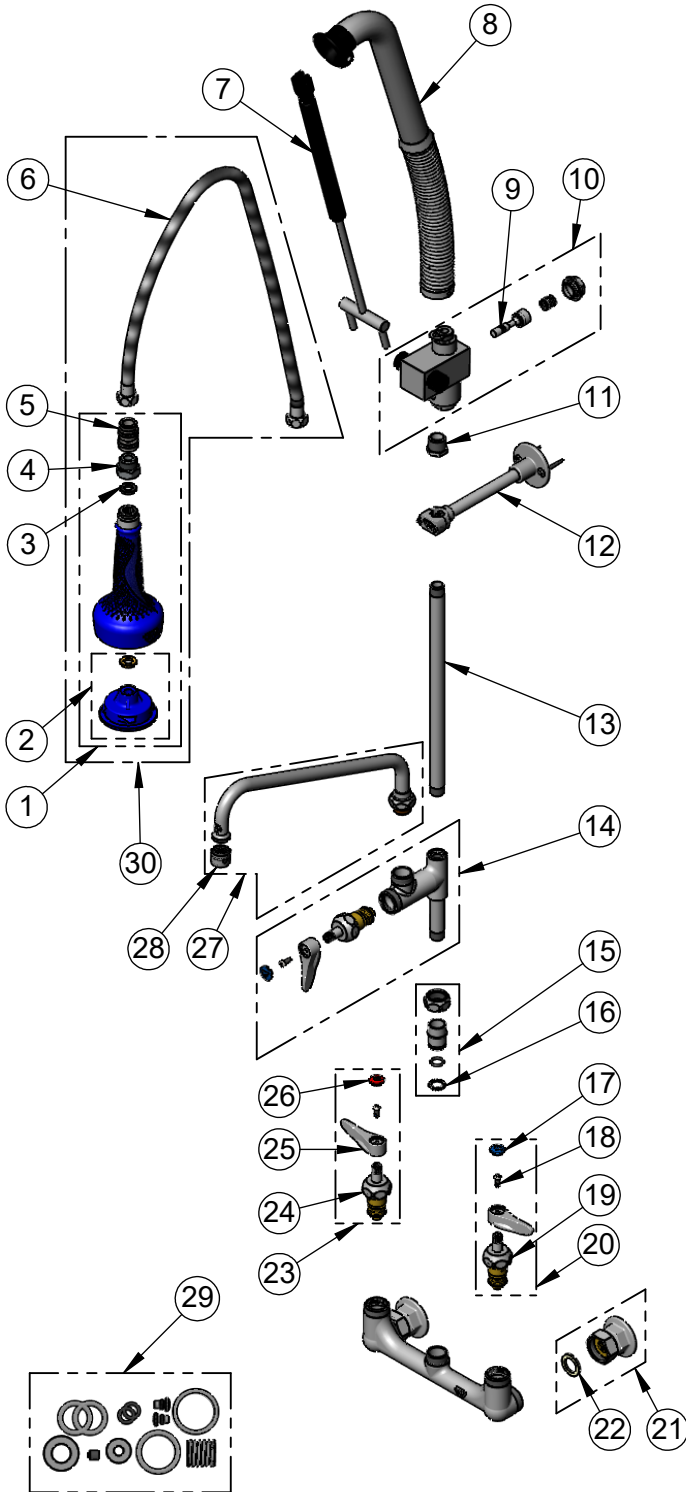


**T&S BRASS AND BRONZE WORKS, INC.**  
 2 Saddleback Cove / P.O. Box 1088  
 Travelers Rest, SC 29690

Model No.  
**B-0133-12-CRB8P**

Item No.

Travelers Rest, SC: 800-476-4103 • Simi Valley, CA: 800-423-0150 • Fax: 864-834-3518 • www.tsbrass.com



ITEM NO.	SALES NO.	DESCRIPTION
1	019898-40	1.07 GPM Sprayer w/ Swivel
2	108SF-RK	Spray Face Repair Kit
3	001014-45	Washer, B-0100 Hose Barrel
4	005221-25	7/8-20 UN x 1/2" BSPP Adapter
5	021046-45	Stainless Steel Ball-Joint Swivel
6	019901-45	30" Stainless Steel Braided Hose w/ 1/2" NPSM Threads
7	020062-45	Air Cylinder Repair Kit
8	020060-45	Spring & Tube Repair Kit
9	020061-45	Valve Stem Repair Kit
10	020063-45	Valve Body Repair Kit
11	001359-40	Hex Bushing, 1/2" NPT Male x 3/8" NPT Female
12	B-0109-01	6" Wall Bracket
13	145X	Nipple, 3/8" NPT x 12"
14	B-0155-CR-LN	Add-On Faucet w/ Cerama Cartridge, RTC & Lever Handle (Less Nozzle)
15	EZ-K	EasyInstall Kit: Nut, Bushing, O-ring & Lock Washer
16	014200-45	Star Washer, Anti-Rotation
17	018506-19NS	Blue Button Index, Press-in
18	000925-45	Lab Handle Screw
19	012395-25NS	Quarter-Turn Cerama Cartridge w/ Check Valve, LTC
20	012447-25NS	Quarter-Turn Cerama Cartridge w/ Check Valve, Handle, Blue Index & Screw, LTC
21	00AA	1/2" NPT Female Eccentric Flange
22	001019-45	Coupling Nut Washer
23	012446-25NS	Quarter-Turn Cerama Cartridge w/ Check Valve, Handle, Red Index & Screw, RTC
24	012394-25NS	Quarter-Turn Cerama Cartridge w/ Check Valve, RTC
25	001638-45NS	Lever Handle (New Style)
26	001193-19NS	Red Button Index, Press-in
27	062X	12" Swing Nozzle
28	B-PT	Full Flow Stream Regulator, 55/64-27
29	020064-45	PRU Control Valve Seal Repair Kit
30	021047-40	Hose, Sprayer & Swivel

**Product Specifications:**

EasyInstall Pull-Down Pre-Rinse Unit: 8" Wall Mount Mixing Faucet, Quarter-Turn Cerama Cartridges w/ Check Valves, Lever Handles, Add-On Faucet w/ 12" Swing Nozzle, 12" Riser, 30" Flexible Stainless Steel Hose, 1.07 GPM Sprayer w/ Ball-Joint Swivel, 6" Wall Bracket & 1/2" NPT Female Inlets

**Product Compliance:**

ASME A112.18.1 / CSA B125.1  
 NSF 61 - Section 9  
 NSF 372 (Low Lead Content)  
 2019 DOE PRSV - Class II