



T&S BRASS AND BRONZE WORKS, INC.

2 Saddleback Cove / P.O. Box 1088
Travelers Rest, SC 29690

Model No.

B-0123-U12-CR-B

Item No.

Travelers Rest, SC: 800-476-4103 • Simi Valley, CA: 800-423-0150 • Fax: 864-834-3518 • www.tsbrass.com

This Space for Architect/Engineer Approval

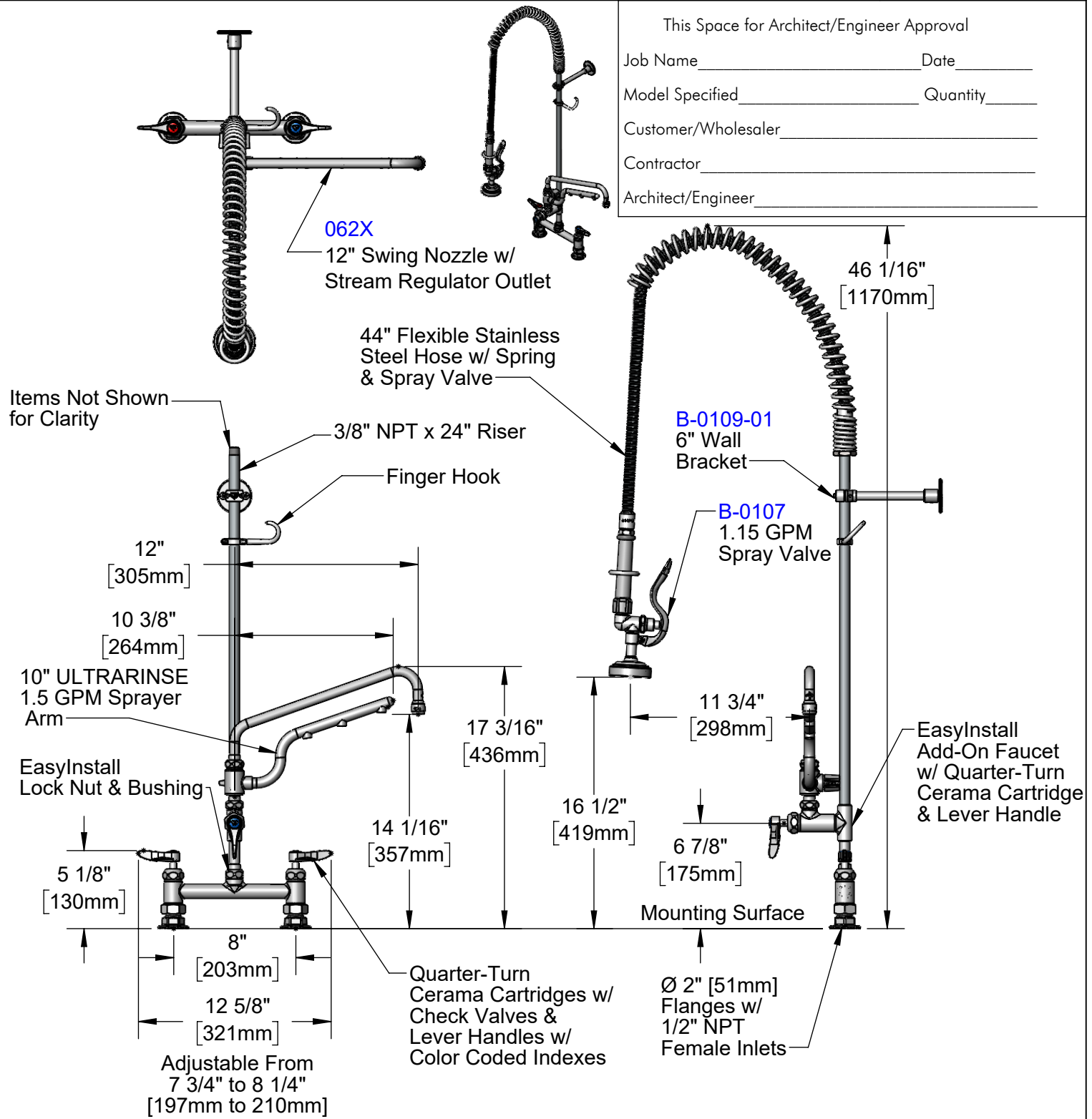
Job Name _____ Date _____

Model Specified _____ Quantity _____

Customer/Wholesaler _____

Contractor _____

Architect/Engineer _____



Product Specifications:
ULTRARINSE Pre-Rinse Unit: EasyInstall 8" Deck Mount Mixing Faucet, Quarter-Turn Cerama Cartridges w/ Check Valves, Lever Handles, Add-On Faucet, 12" Swing Spout, 1.5 GPM 10" ULTRARINSE Multiple Tip Spray Arm, 44" Flexible Stainless Steel Hose, 1.15 GPM Spray Valve, 6" Wall Bracket & 1/2" NPT Female Inlets

Product Compliance:
ASME A112.18.1 / CSA B125.1
NSF 61 - Section 9
NSF 372 (Low Lead Content)
2019 DOE PRSV - Class II



T&S BRASS AND BRONZE WORKS, INC.

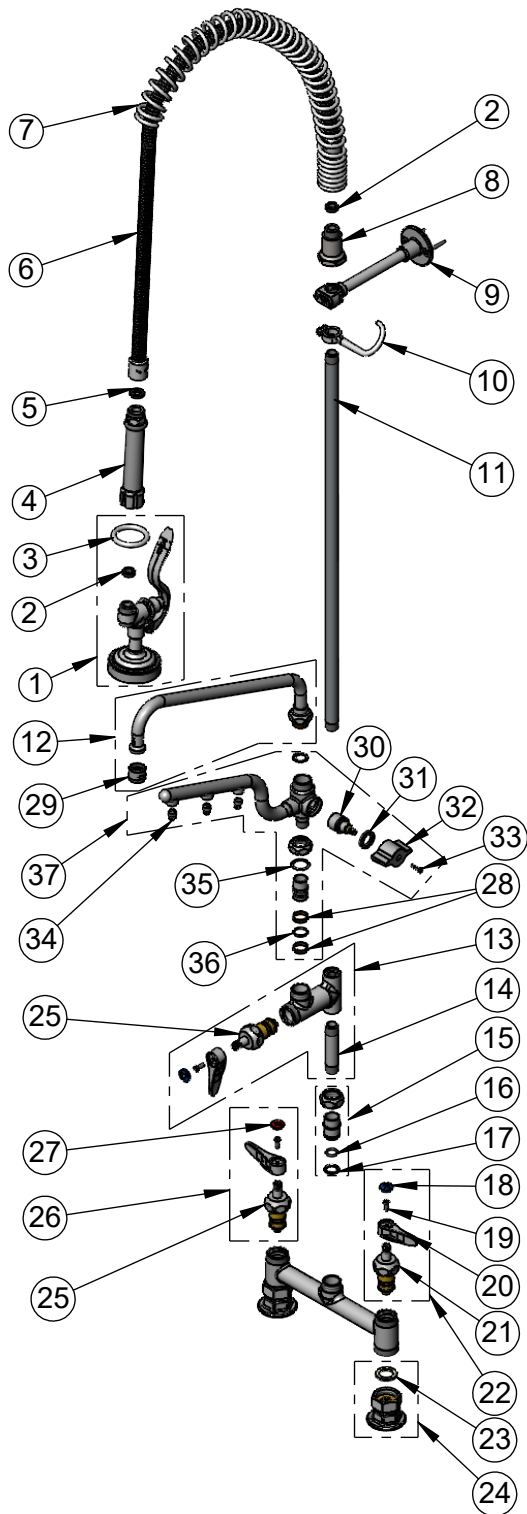
2 Saddleback Cove / P.O. Box 1088
Travelers Rest, SC 29690

Model No.

B-0123-U12-CR-B

Item No.

Travelers Rest, SC: 800-476-4103 • Simi Valley, CA: 800-423-0150 • Fax: 864-834-3518 • www.tsbrass.com



ITEM NO.	SALES NO.	DESCRIPTION
1	B-0107	1.15 GPM Spray Valve
2	010476-45	#27 Washer
3	000907-45	Spray Valve Hold Down Ring
4	002987-40	Grip Handle
5	001014-45	Washer, B-0100 Hose Barrel
6	B-0044-H2A	44" Flexible Stainless Steel Hose, Less Handle
7	000888-45	EasyInstall Overhead Spring
8	000821-40	Spring Body
9	B-0109-01	6" Wall Bracket
10	004R	Finger Hook
11	000372-40	3/8" NPT x 24" Riser
12	062X	12" Swing Nozzle w/ Stream Regular Outlet
13	B-0155-CR-LN	EasyInstall Add-On Faucet w/Quarter-Turn Cerama Cartridge w/ Check Valve, Handle, Blue Index & Screw, RTC
14	000358-40	Nipple, 3/8" NPT x 3"
15	EZ-K	EasyInstall Kit: Nut, Bushing, O-ring, Lock Washer
16	001065-45	O-Ring
17	014200-45	Star Washer, Anti-Rotation
18	018506-19NS	Blue Bottom Index, Press-in
19	000925-45	Lab Handle Screw
20	001638-45NS	Lever Handle (New Style)
21	012395-25NS	Quarter-Turn Cerama Cartridge w/ Check Valve, LTC
22	012447-25NS	Quarter-Turn Cerama Cartridge w/ Check Valve, Handle, Blue Index & Screw, LTC
23	001019-45	Coupling Nut Washer
24	00AA	1/2" NPT Female Eccentric Flange
25	012394-25NS	Quarter-Turn Cerama Cartridge w/ Check Valve, RTC
26	012446-25NS	Quarter-Turn Cerama Cartridge w/ Check Valve, Handle, Red Index & Screw, RTC
27	001193-19NS	Red Button Index, Press-in
28	011429-45	Swivel Sleeves (2)
29	B-PT	Full Flow Stream Regulator, 55/64-27
30	020641-45	ULTRARINSE Diverter Cartridge
31	020645-45	Diverter Cartridge Nut
32	020642-45	ULTRARINSE Diverter Handle
33	020669-45	M4 Screw, 17mm Long
34	020667-25	0.5 GPM Spray Tip
35	009538-45	Swivel Washer
36	001074-45	O-Ring
37	U12-KIT	1.5 GPM 10" ULTRARINSE Multiple Tip Spray Arm

Product Specifications:

ULTRARINSE Pre-Rinse Unit: EasyInstall 8" Deck Mount Mixing Faucet, Quarter-Turn Cerama Cartridges w/ Check Valves, Lever Handles, Add-On Faucet, 12" Swing Spout, 1.5 GPM 10" ULTRARINSE Multiple Tip Spray Arm, 44" Flexible Stainless Steel Hose, 1.15 GPM Spray Valve, 6" Wall Bracket & 1/2" NPT Female Inlets

Product Compliance:

ASME A112.18.1 / CSA B125.1
NSF 61 - Section 9
NSF 372 (Low Lead Content)
2019 DOE PRSV - Class II