



# T&S BRASS AND BRONZE WORKS, INC.

2 Saddleback Cove / P.O. Box 1088  
Travelers Rest, SC 29690

Model No.

**B-0123-A12-08**

Item No.

Travelers Rest, SC: 800-476-4103 • Simi Valley, CA: 800-423-0150 • Fax: 864-834-3518 • www.tsbrass.com

This Space for Architect/Engineer Approval

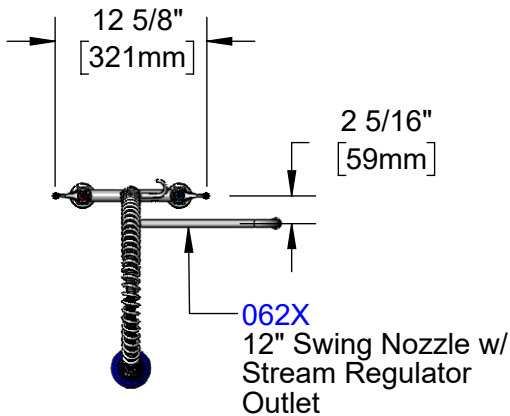
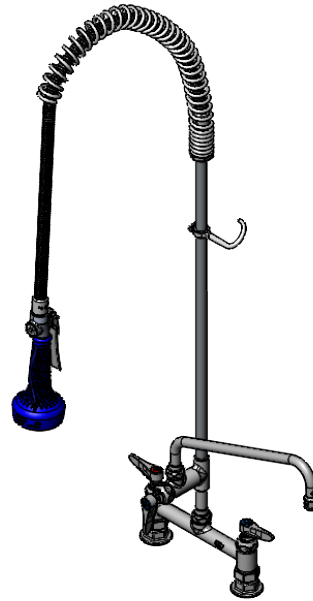
Job Name \_\_\_\_\_ Date \_\_\_\_\_

Model Specified \_\_\_\_\_ Quantity \_\_\_\_\_

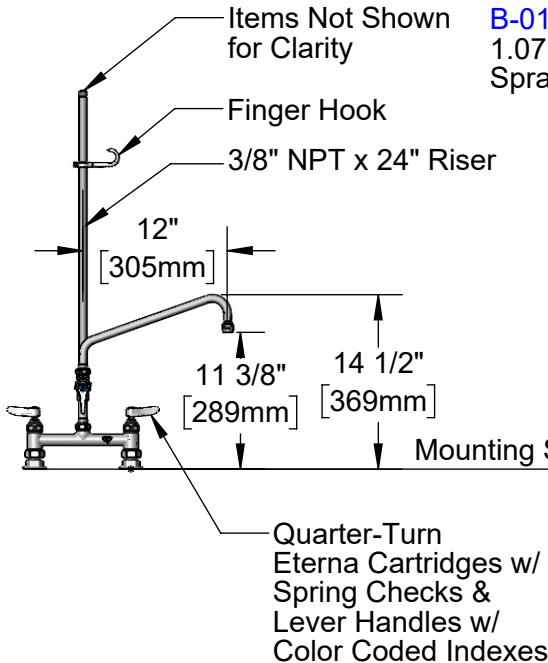
Customer/Wholesaler \_\_\_\_\_

Contractor \_\_\_\_\_

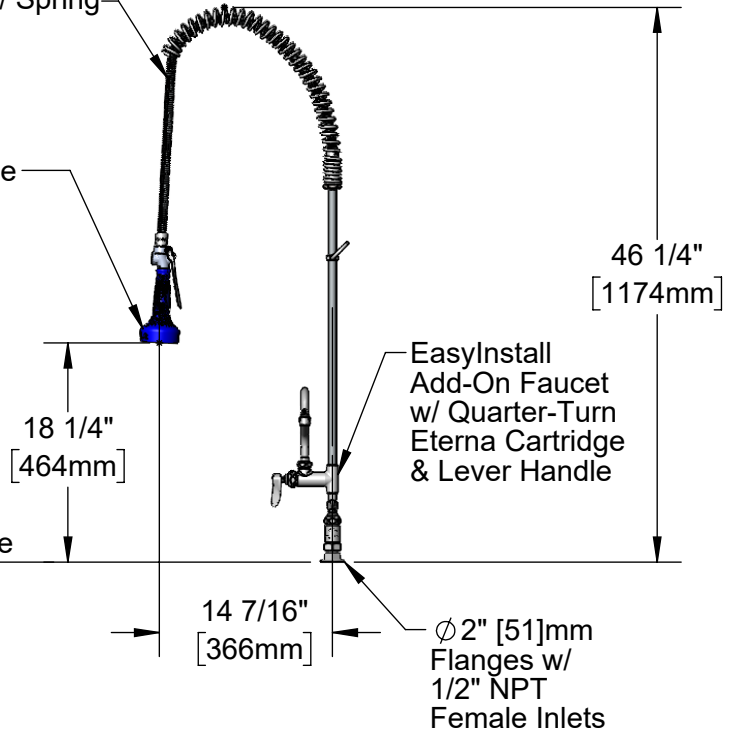
Architect/Engineer \_\_\_\_\_



44" Flexible  
Stainless Steel  
Hose w/ Spring



**B-0108**  
1.07 GPM  
Spray Valve



**Product Specifications:**

EasyInstall Pre-Rinse Unit:  
8" Deck Mount Mixing Faucet, Quarter-Turn Eterna Cartridges w/ Spring Checks, Add-On Faucet w/ 12" Swing Nozzle, 24" Riser, 44" Flexible Stainless Steel Hose, 1.07 GPM Spray Valve

**Product Compliance:**

ASME A112.18.1 / CSA B125.1  
NSF 61 - Section 9  
NSF 372 (Low Lead Content)  
2019 DOE PRSV - Class II



# T&S BRASS AND BRONZE WORKS, INC.

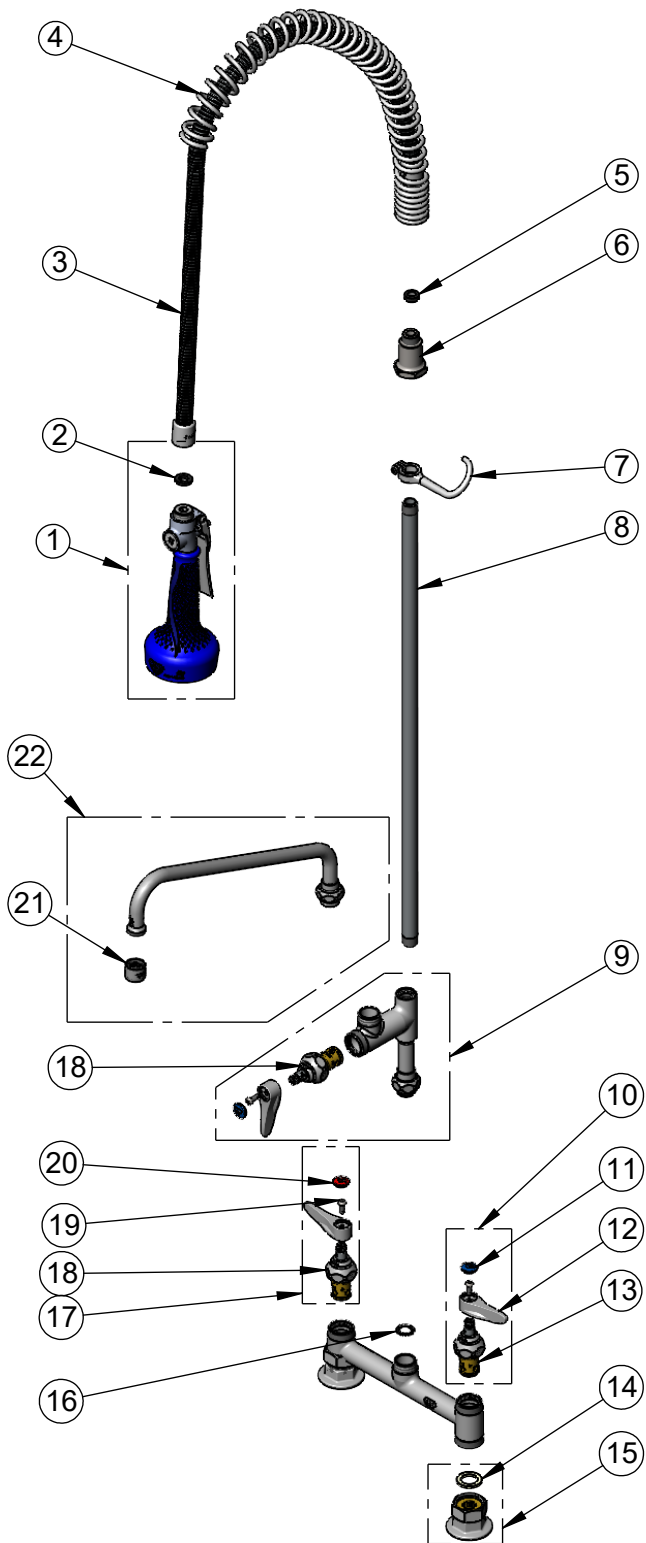
2 Saddleback Cove / P.O. Box 1088  
Travelers Rest, SC 29690

Model No.

**B-0123-A12-08**

Item No.

Travelers Rest, SC: 800-476-4103 • Simi Valley, CA: 800-423-0150 • Fax: 864-834-3518 • www.tsbrass.com



| ITEM NO. | SALES NO.   | DESCRIPTION  |
|----------|-------------|--|
| 1        | B-0108      | 1.07 GPM Spray Valve w/ Ergo-Grip  |
| 2        | 001014-45   | Washer, Hose Barrel  |
| 3        | B-0044-H2A  | 44" Flexible Stainless Steel Hose, Less Handle                                   |
| 4        | 000888-45   | EasyInstall Overhead Spring  |
| 5        | 010476-45   | #27 Washer   |
| 6        | 000821-40   | Spring Body  |
| 7        | 004R        | Finger Hook  |
| 8        | 000372-40   | 3/8" NPT x 24" Riser   |
| 9        | B-0155-LNEZ | Add-On Faucet w/ Quarter-Turn Eterna Cartridge, RTC & Lever Handle (Less Nozzle) |
| 10       | 002711-40NS | Quarter-Turn Eterna Cartridge, LTC w/ Spring Check, Handle, Index & Screw        |
| 11       | 018506-19NS | Blue Button Index, Press-in  |
| 12       | 001638-45NS | Lever Handle (New Style)   |
| 13       | 012442-40NS | Quarter-Turn Eterna Cartridge, LTC w/ Spring Check                               |
| 14       | 001019-45   | Coupling Nut Washer  |
| 15       | 00AA        | 1/2" NPT Female Eccentric Flange   |
| 16       | 014200-45   | Star Washer, Anti-Rotation   |
| 17       | 002712-40NS | Quarter-Turn Eterna Cartridge, RTC w/ Spring Check, Handle, Index & Screw        |
| 18       | 012443-40NS | Quarter-Turn Eterna Cartridge, RTC w/ Spring Check                               |
| 19       | 000925-45   | Lab Handle Screw   |
| 20       | 001193-19NS | Red Button Index, Press-in   |
| 21       | B-PT        | Full Flow Stream Regulator, 55/64-27   |
| 22       | 062X        | 12" Swing Nozzle   |

**Product Specifications:**

EasyInstall Pre-Rinse Unit:  
8" Deck Mount Mixing Faucet, Quarter-Turn Eterna Cartridges w/ Spring Checks, Add-On Faucet w/ 12" Swing Nozzle, 24" Riser, 44" Flexible Stainless Steel Hose, 1.07 GPM Spray Valve

**Product Compliance:**

ASME A112.18.1 / CSA B125.1  
NSF 61 - Section 9  
NSF 372 (Low Lead Content)  
2019 DOE PRSV - Class II