



**T&S BRASS AND BRONZE WORKS, INC.**  
 2 Saddleback Cove / P.O. Box 1088  
 Travelers Rest, SC 29690

Model No.  
**B-0123-12CRB8TP**

Item No.

Travelers Rest, SC: 800-476-4103 • Simi Valley, CA: 800-423-0150 • Fax: 864-834-3518 • www.tsbrass.com

This Space for Architect/Engineer Approval

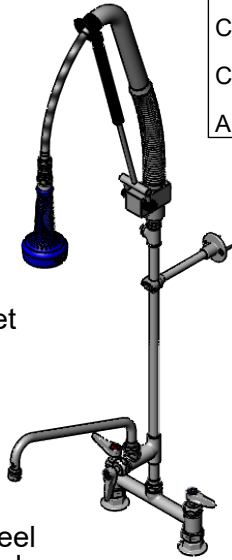
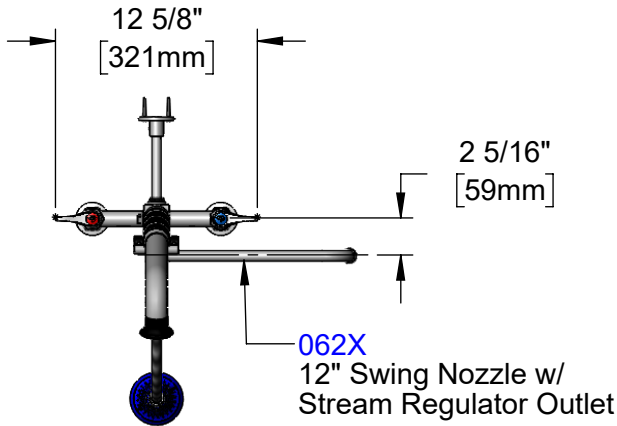
Job Name \_\_\_\_\_ Date \_\_\_\_\_

Model Specified \_\_\_\_\_ Quantity \_\_\_\_\_

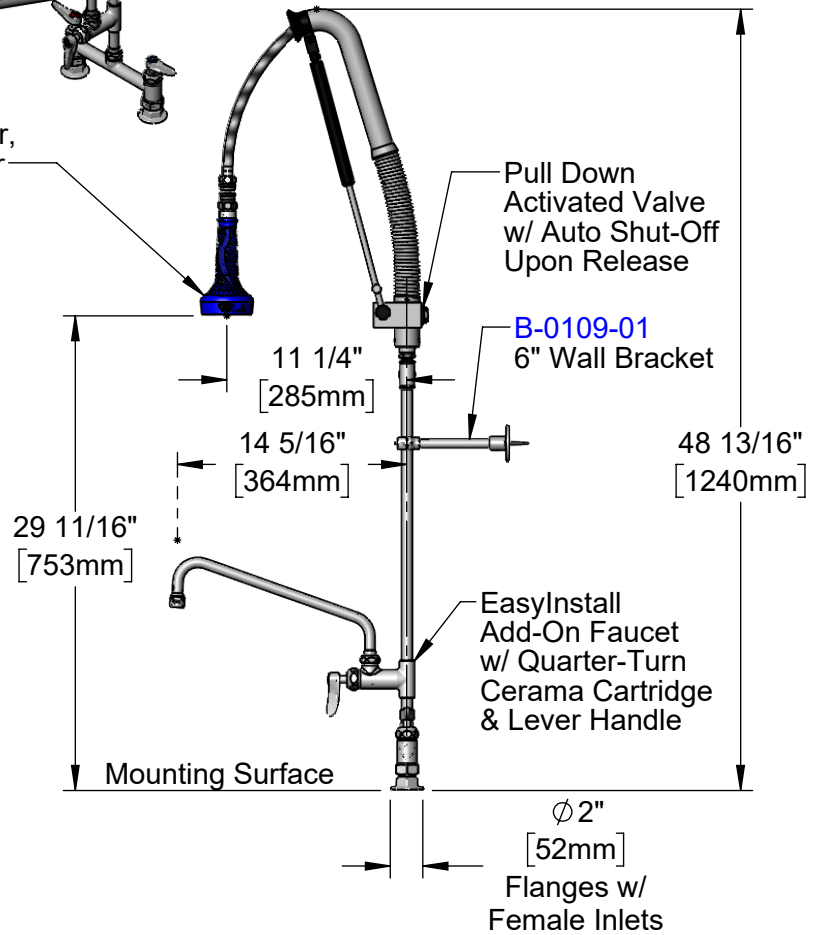
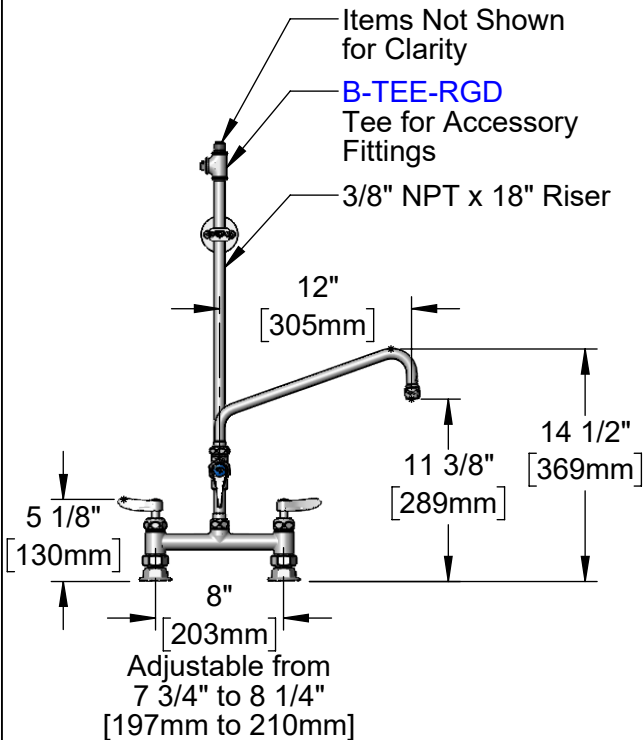
Customer/Wholesaler \_\_\_\_\_

Contractor \_\_\_\_\_

Architect/Engineer \_\_\_\_\_



30" Flexible Stainless Steel  
 Hose w/ Spring, Air Cylinder,  
 Swivel & 1.07 GPM Sprayer



**Product Specifications:**

EasyInstall Pull-Down Pre-Rinse Unit: 8" Deck Mount Mixing Faucet, Quarter-Turn Cerama Cartridges w/ Check Valves, Lever Handles, Add-On Faucet w/ 12" Swing Nozzle, 18" Riser, 30" Flexible Stainless Steel Hose, 1.07 GPM Sprayer w/ Ball-Joint Swivel, 6" Wall Bracket & 1/2" NPT Female Inlets

**Product Compliance:**

ASME A112.18.1 / CSA B125.1  
 NSF 61 - Section 9  
 NSF 372 (Low Lead Content)  
 2019 DOE PRSV - Class II



# T&S BRASS AND BRONZE WORKS, INC.

2 Saddleback Cove / P.O. Box 1088  
Travelers Rest, SC 29690

Model No.

**B-0123-12CRB8TP**

Item No.

Travelers Rest, SC: 800-476-4103 • Simi Valley, CA: 800-423-0150 • Fax: 864-834-3518 • www.tsbrass.com

| ITEM NO. | SALES NO.    | DESCRIPTION   |
|----------|--------------|---|
| 1        | 019898-40    | 1.07 GPM Sprayer w/ Swivel  |
| 2        | 108SF-RK     | Spray Face Repair Kit   |
| 3        | 001014-45    | Washer, Hose Barrel   |
| 4        | 005221-25    | 7/8-20 x 1/2" BSPP Adapter  |
| 5        | 021046-45    | Stainless Steel Ball-Joint Swivel   |
| 6        | 019901-45    | 30" Stainless Steel Braided Hose w/ 1/2" NPSM Threads                         |
| 7        | 020062-45    | Air Cylinder Repair Kit   |
| 8        | 020060-45    | Spring & Tube Repair Kit  |
| 9        | 020061-45    | Valve Stem Repair Kit   |
| 10       | 020063-45    | Valve Body Repair Kit   |
| 11       | 001359-40    | Hex Bushing, 1/2" NPT Male x 3/8" NPT Female                                  |
| 12       | B-TEE-RGD    | 3/8" NPT Rigid Tee  |
| 13       | B-0109-01    | 6" Wall Bracket   |
| 14       | 000369-40    | 3/8" x 18" Riser  |
| 15       | B-0155-CR-LN | Add-On Faucet, Less Nozzle  |
| 16       | EZ-K         | EasyInstall Kit: Nut, Bushing, O-ring & Lock Washer                           |
| 17       | 014200-45    | Star Washer, Anti-Rotation  |
| 18       | 018506-19NS  | Blue Button Index, Press-in   |
| 19       | 000925-45    | Lab Handle Screw  |
| 20       | 012395-25NS  | Quarter-Turn Cerama Cartridge w/ Check Valve, LTC                             |
| 21       | 012447-25NS  | Quarter-Turn Cerama Cartridge w/ Check Valve, Handle, Blue Index & Screw, LTC |
| 22       | 001019-45    | Coupling Nut Washer   |
| 23       | 00AA         | 1/2" NPT Female Eccentric Flange  |
| 24       | 012446-25NS  | Quarter-Turn Cerama Cartridge w/ Check Valve, Handle, Red Index & Screw, RTC  |
| 25       | 012394-25NS  | Quarter-Turn Cerama Cartridge w/ Check Valve, RTC                             |
| 26       | 001638-45NS  | Lever Handle (New Style)  |
| 27       | 001193-19NS  | Red Button Index, Press-in  |
| 28       | B-PT         | Full Flow Stream Regulator, 55/64-27  |
| 29       | 062X         | 12" Swing Nozzle  |
| 30       | 020064-45    | PRU Control Valve Seal Repair Kit   |
| 31       | 021047-40    | Hose, Sprayer & Swivel  |

**Product Specifications:**  
EasyInstall Pull-Down Pre-Rinse Unit: 8" Deck Mount Mixing Faucet, Quarter-Turn Cerama Cartridges w/ Check Valves, Lever Handles, Add-On Faucet w/ 12" Swing Nozzle, 18" Riser, 30" Flexible Stainless Steel Hose, 1.07 GPM Sprayer w/ Ball-Joint Swivel, 6" Wall Bracket & 1/2" NPT Female Inlets

**Product Compliance:**  
ASME A112.18.1 / CSA B125.1  
NSF 61 - Section 9  
NSF 372 (Low Lead Content)  
2019 DOE PRSV - Class II