



T&S BRASS AND BRONZE WORKS, INC.
 2 Saddleback Cove / P.O. Box 1088
 Travelers Rest, SC 29690

Model No.
B-0114-01

Item No.

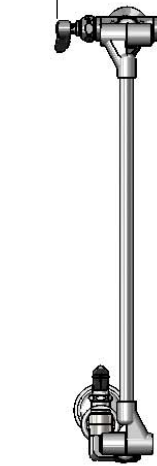
Travelers Rest, SC: 800-476-4103 • Simi Valley, CA: 800-423-0150 • Fax: 864-834-3518 • www.tsbrass.com

This Space for Architect/Engineer Approval

Job Name _____ Date _____
 Model Specified _____ Quantity _____
 Customer/Wholesaler _____
 Contractor _____
 Architect/Engineer _____

7 3/8"
 [187mm]

Quarter-Turn Eterna
 Cartridges w/ Spring
 Checks & Lever
 Handles w/ Color
 Coded Indexes



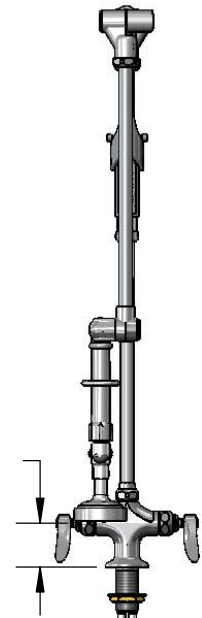
Swivel Point

21 15/16"
 [557mm]

16 15/16"
 [429mm]

Swivel Point

Swivel Point



29 1/4"
 [743mm]
 Maximum
 Pull Down
 Position

42 13/16"
 [1087mm]
 Normal
 Hanging
 Position

B-0107
 1.15 GPM
 Spray Valve

Swivel Point

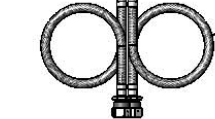
16 3/16"
 [412mm]

EasyInstall
 Lock Nut
 & Bushing

2 5/16"
 [58mm]

2 7/16"
 [62mm]

Mounting Surface



18" Flexible
 Stainless Steel
 Supply Hoses

Compression Fittings
 for 5/8" O.D. Copper Tubing
 (Remove Compression Nut
 for 1/2" NPSM Male)

1 3/8"
 [35mm]
 Maximum
 Thickness

Rough-In Requirement:
 ϕ 1 1/2" [38mm] Mounting Hole

Product Specifications:

Pre-Rinse Unit: Single Hole Deck Mount Mixing Faucet, Quarter-Turn Eterna Cartridges w/ Spring Checks, Lever Handles, Retractable Swivel Arm, 1.15 GPM Spray Valve & 18" Flexible Stainless Steel Supply Hoses w/ 1/2" NPSM Male Inlets

Product Compliance:

ASME A112.18.1 / CSA B125.1
 NSF 61 - Section 9
 NSF 372 (Low Lead Content)
 2019 DOE PRSV - Class II



T&S BRASS AND BRONZE WORKS, INC.

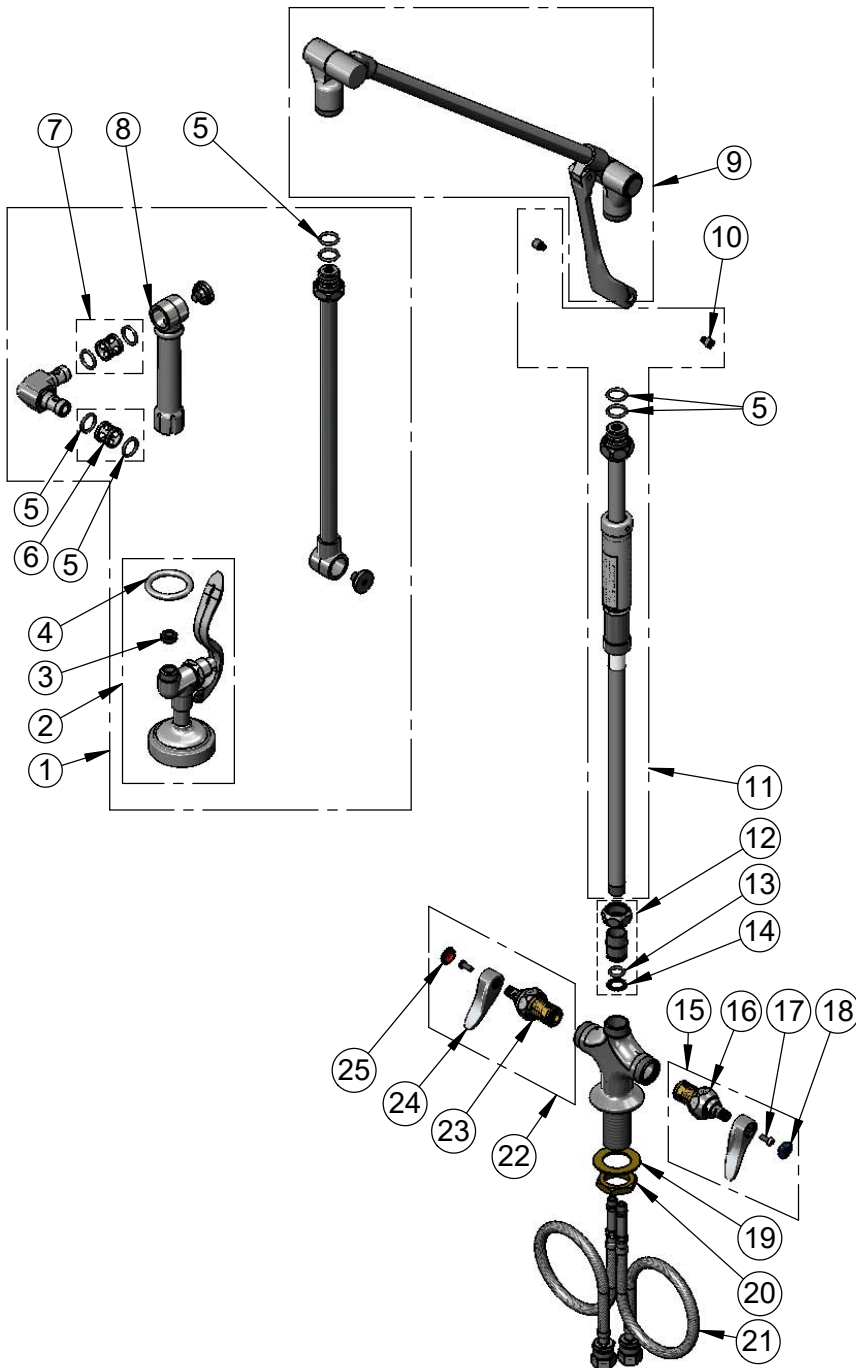
2 Saddleback Cove / P.O. Box 1088
Travelers Rest, SC 29690

Model No.

B-0114-01

Item No.

Travelers Rest, SC: 800-476-4103 • Simi Valley, CA: 800-423-0150 • Fax: 864-834-3518 • www.tsbrass.com



ITEM NO.	SALES NO.	DESCRIPTION
1	009184-40	Down Pipe w/ Spray Valve
2	B-0107	1.15 GPM Spray Valve
3	010476-45	#27 Washer
4	000907-45	Spray Valve Hold Down Ring
5	001060-45	O-Ring
6	008984-45	Bearing
7	009225-40	Elbow Repair Kit
8	002897-40	Grip Handle w/ Knuckle
9	009490-40	Upper Arm
10	000941-45	Cap Screw
11	009178-40	29" Knuckle Riser
12	EZ-K	EasyInstall Kit
13	001065-45	O-ring
14	014200-45	Star Washer, Anti-Rotation
15	002711-40NS	Quarter-Turn Eterna Cartridge w/ Spring Check, Handle, Blue Index & Screw, LTC
16	012442-40NS	Quarter-Turn Eterna Cartridge w/ Spring Check, LTC
17	000925-45	Lab Handle Screw
18	018506-19NS	Blue Button Index, Press-in
19	002290-45	Lock Washer
20	000965-45	Lock Nut
21	012534-45	18" Flexible Supply Hose (2)
22	002712-40NS	Quarter-Turn Eterna Cartridge w/ Spring Check, Handle, Red Index & Screw, RTC
23	012443-40NS	Quarter-Turn Eterna Cartridge w/ Spring Check, RTC
24	001638-45NS	Lever Handle (New Style)
25	001193-19NS	Red Button Index, Press-in

Product Specifications:

Pre-Rinse Unit: Single Hole Deck Mount Mixing Faucet, Quarter-Turn Eterna Cartridges w/ Spring Checks, Lever Handles, Retractable Swivel Arm, 1.15 GPM Spray Valve & 18" Flexible Stainless Steel Supply Hoses w/ 1/2" NPSM Male Inlets

Product Compliance:

ASME A112.18.1 / CSA B125.1
NSF 61 - Section 9
NSF 372 (Low Lead Content)
2019 DOE PRSV - Class II