



# T&S BRASS AND BRONZE WORKS, INC.

2 Saddleback Cove / P.O. Box 1088  
Travelers Rest, SC 29690

Model No.

**B-0113-CR-BVB-A**

Item No.

Travelers Rest, SC: 800-476-4103 • Simi Valley, CA: 800-423-0150 • Fax: 864-834-3518 • www.tsbrass.com

This Space for Architect/Engineer Approval

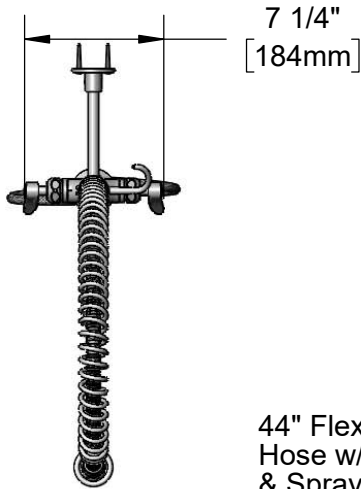
Job Name \_\_\_\_\_ Date \_\_\_\_\_

Model Specified \_\_\_\_\_ Quantity \_\_\_\_\_

Customer/Wholesaler \_\_\_\_\_

Contractor \_\_\_\_\_

Architect/Engineer \_\_\_\_\_



44" Flexible Stainless Steel  
Hose w/ Overhead Spring  
& Spray Valve

Items Not Shown  
For Clarity

Finger Hook

3/8" NPT x 24" Riser

**B-0107-A**  
Spray Valve w/  
2.2 GPM Aerator

**B-0109-01**  
6" Wall  
Bracket 45 9/16"  
[1157mm]

14 1/16"  
[356mm]

16 7/16"  
[418mm]

**B-0970-FEZ**  
Vacuum  
Breaker

2 5/16"  
[58mm]

Quarter-Turn Cerama Cartridges  
w/ Check Valves & Lever Handles  
w/ Color Coded Indexes

Ø 2 1/4"  
[57mm]

18" Flexible Stainless Steel  
Supply Hoses

Compression Fittings for 5/8" O.D. Copper  
Tubing (Remove Compression Nut  
for 1/2" NPSM Male)

1 1/4"  
[32mm]  
Maximum  
Thickness

Rough-In Requirement:  
Ø 1 1/2" [Ø 38mm] Mounting Hole

**Product Specifications:**

Single Deck Mount Vertical Glass Filler, Quarter-Turn Cerama Cartridges w/ Check Valves, EasyInstall Vacuum Breaker, 24" Riser, 44" Flexible Stainless Steel Hose, Spray Valve w/ 2.2 GPM Aerator, 6" Wall Bracket & Flexible Stainless Steel Supply Hoses

**Product Compliance:**

ASME A112.18.1 / CSA B125.1  
NSF 61 - Section 9  
NSF 372 (Low Lead Content)  
EPA 2005 Non-Compliant (PRSV)  
CSA B64.8 (VB)  
Product Not Designed/Intended for  
Commercial Warewashing in North America



# T&S BRASS AND BRONZE WORKS, INC.

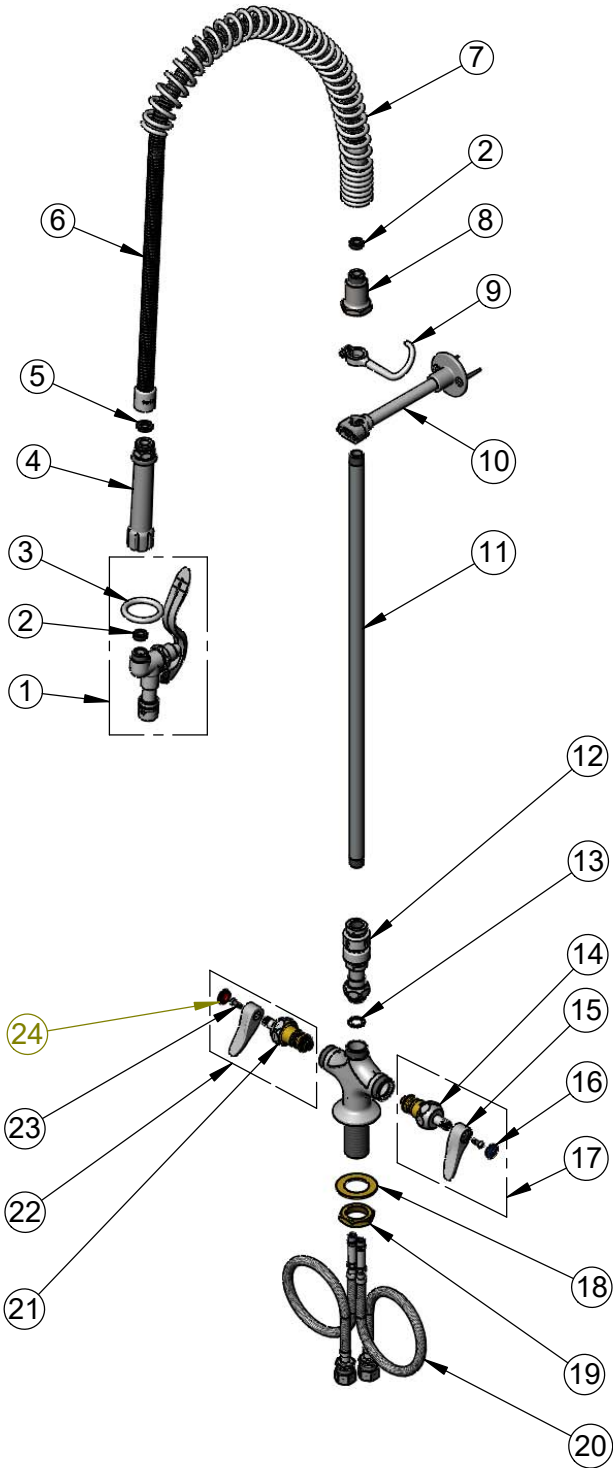
2 Saddleback Cove / P.O. Box 1088  
Travelers Rest, SC 29690

Model No.

**B-0113-CR-BVB-A**

Item No.

Travelers Rest, SC: 800-476-4103 • Simi Valley, CA: 800-423-0150 • Fax: 864-834-3518 • www.tsbrass.com



ITEM NO.	SALES NO.	DESCRIPTION
1	B-0107-A	Spray Valve w/ 2.2 GPM Aerator
2	010476-45	#27 Washer
3	000907-45	Spray Valve Hold Down Ring
4	002987-40	Grey Handle Grip
5	001014-45	Washer, B-0100 Hose Barrel
6	B-0044-H2A	44" Flexible Stainless Steel Hose, Less Handle
7	000888-45	EasyInstall Overhead Spring
8	000821-40	Spring Body
9	004R	Finger Hook
10	B-0109-01	6" Wall Bracket
11	000372-40	3/8" NPT x 24" Riser
12	B-0970-FEZ	EasyInstall Vacuum Breaker
13	014200-45	Star Washer, Anti-Rotation
14	012395-25NS	Quarter-Turn Cerama Cartridge w/ Check Valve, LTC
15	001638-45NS	Lever Handle (New Style)
16	018506-19NS	Blue Button Index, Press-in
17	012447-25NS	Quarter-Turn Cerama Cartridge w/ Check Valve, Handle, Blue Index & Screw, LTC
18	002290-45	Lock Washer
19	000965-45	Lock Nut
20	012534-45	18" Flexible Supply Hose (2)
21	012394-25NS	Quarter-Turn Cerama Cartridge w/ Check Valve, RTC
22	012446-25NS	Quarter-Turn Cerama Cartridge w/ Check Valve, Handle, Red Index & Screw, RTC
23	000925-45	Lab Handle Screw
24	001193-19NS	Red Button Index, Press-in

**Product Specifications:**  
Single Deck Mount Vertical Glass Filler, Quarter-Turn Cerama Cartridges w/ Check Valves, EasyInstall Vacuum Breaker, 24" Riser, 44" Flexible Stainless Steel Hose, Spray Valve w/ 2.2 GPM Aerator, 6" Wall Bracket & Flexible Stainless Steel Supply Hoses

**Product Compliance:**  
ASME A112.18.1 / CSA B125.1  
NSF 61 - Section 9  
NSF 372 (Low Lead Content)  
EPA Act 2005 Non-Compliant (PRSV)  
CSA B64.8 (VB)  
Product Not Designed/Intended for Commercial Warewashing in North America