



T&S BRASS AND BRONZE WORKS, INC.
 2 Saddleback Cove / P.O. Box 1088
 Travelers Rest, SC 29690

Model No.
B-0113-A06-08C

Item No.

Travelers Rest, SC: 800-476-4103 • Simi Valley, CA: 800-423-0150 • Fax: 864-834-3518 • www.tsbrass.com

This Space for Architect/Engineer Approval

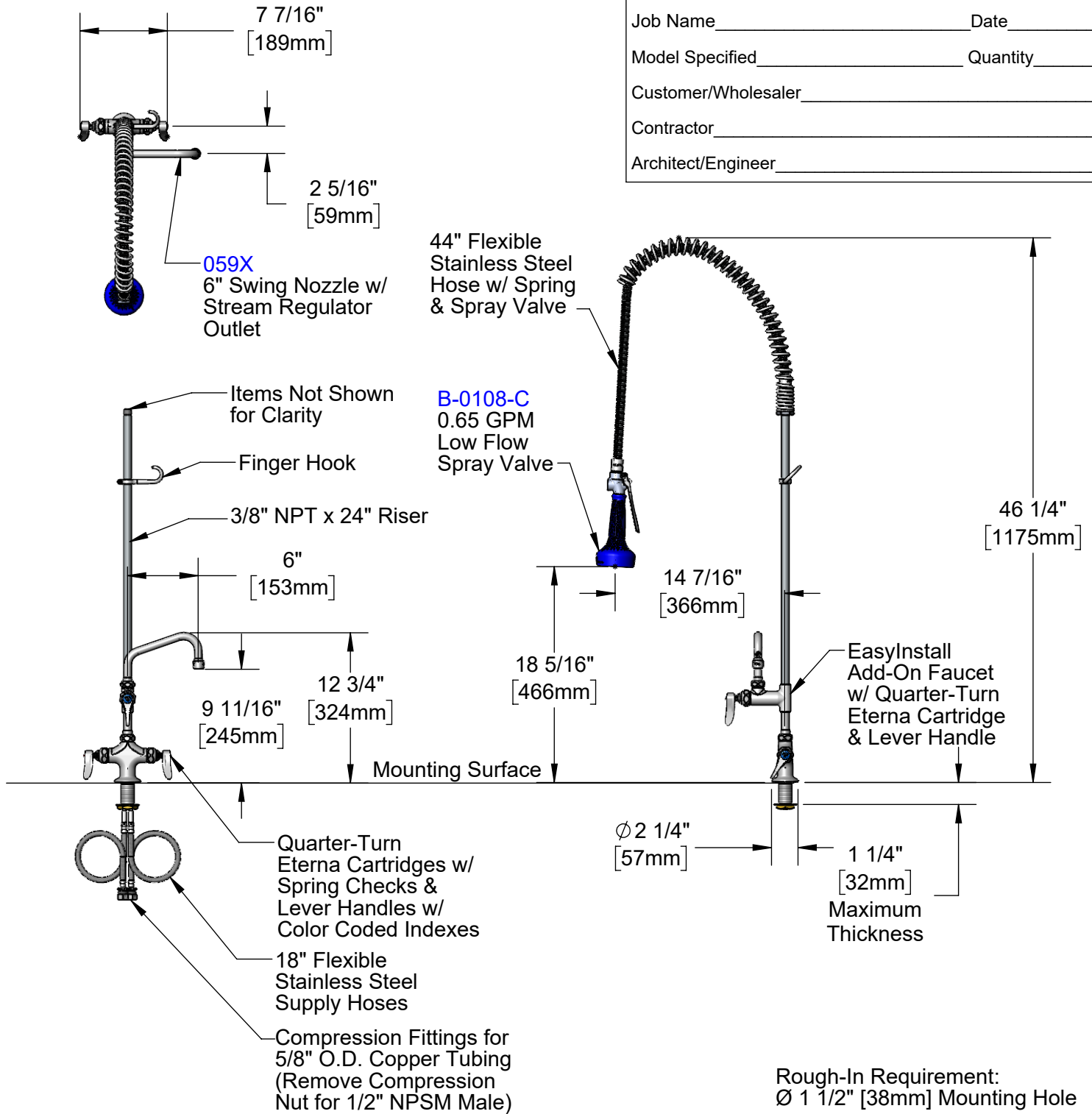
Job Name _____ Date _____

Model Specified _____ Quantity _____

Customer/Wholesaler _____

Contractor _____

Architect/Engineer _____



Product Specifications:
 EasyInstall Pre-Rinse Unit:
 Single Deck Mount Base Mixing Faucet, Quarter-Turn Eterna Cartridges w/
 Spring Checks, Add-On Faucet w/ 6" Swing Nozzle, 24" Riser, 44" Flexible
 Stainless Steel Hose, 0.65 GPM Low Flow Spray Valve, Flexible Stainless
 Steel Supply Hoses

Product Compliance:
 ASME A112.18.1 / CSA B125.1
 NSF 61 - Section 9
 NSF 372 (Low Lead Content)
 2019 DOE PRSV - Class I



T&S BRASS AND BRONZE WORKS, INC.

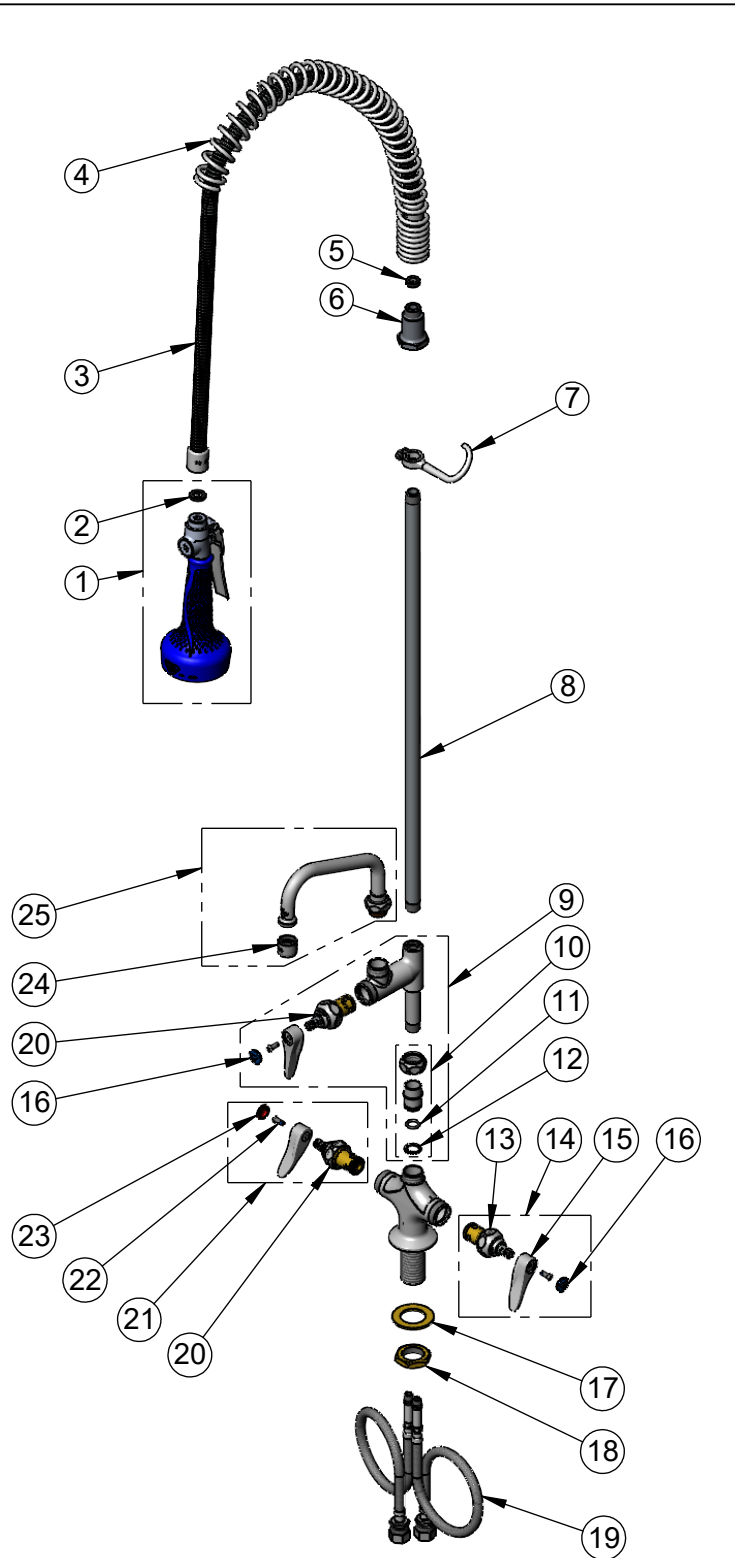
2 Saddleback Cove / P.O. Box 1088
Travelers Rest, SC 29690

Model No.

B-0113-A06-08C

Item No.

Travelers Rest, SC: 800-476-4103 • Simi Valley, CA: 800-423-0150 • Fax: 864-834-3518 • www.tsbrass.com



ITEM NO.	SALES NO.	DESCRIPTION
1	B-0108-C	0.65 GPM Low Flow Spray Valve w/ Ergo-Grip
2	001014-45	Washer, Hose Barrel
3	B-0044-H2A	44" Flexible Stainless Steel Hose, Less Handle
4	000888-45	EasyInstall Overhead Spring
5	010476-45	#27 Washer
6	000821-40	Spring Body
7	004R	Finger Hook
8	000372-40	3/8" NPT x 24" Riser
9	B-0155-LNEZ	Add-On Faucet w/ Quarter-Turn Eterna Cartridge, RTC & Lever Handle (Less Nozzle)
10	EZ-K	EasyInstall Kit
11	001065-45	O-Ring
12	014200-45	Star Washer, Anti-Rotation
13	012442-40NS	Quarter-Turn Eterna Cartridge w/ Spring Check, LTC
14	002711-40NS	Quarter-Turn Eterna Cartridge w/ Spring Check, Handle, Blue Index & Screw, LTC
15	001638-45NS	Lever Handle (New Style)
16	018506-19NS	Blue Button Index, Press-in
17	002290-45	Lock Washer
18	000965-45	Lock Nut
19	012534-45	18" Flexible Supply Hose (2)
20	012443-40NS	Quarter-Turn Eterna Cartridge w/ Spring Check, RTC
21	002712-40NS	Quarter-Turn Eterna Cartridge w/ Spring Check, Handle, Red Index & Screw, RTC
22	000925-45	Lab Handle Screw
23	001193-19NS	Red Button Index, Press-in
24	B-PT	Full Flow Stream Regulator, 55/64-27
25	059X	Swing Nozzle

Product Specifications:

EasyInstall Pre-Rinse Unit:
Single Deck Mount Base Mixing Faucet, Quarter-Turn Eterna Cartridges w/ Spring Checks, Add-On Faucet w/ 6" Swing Nozzle, 24" Riser, 44" Flexible Stainless Steel Hose, 0.65 GPM Low Flow Spray Valve, Flexible Stainless Steel Supply Hoses

Product Compliance:

ASME A112.18.1 / CSA B125.1
NSF 61 - Section 9
NSF 372 (Low Lead Content)
2019 DOE PRSV - Class I